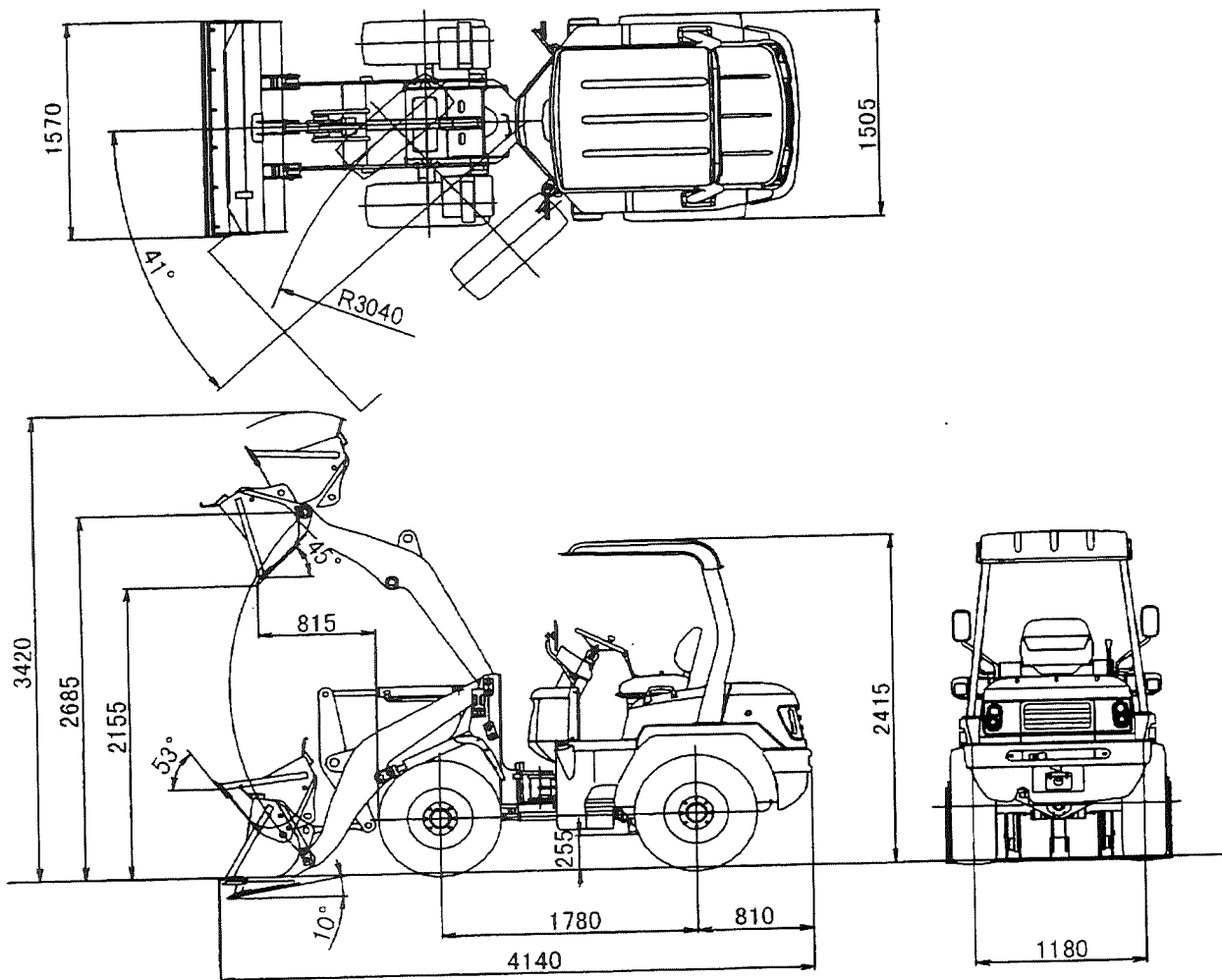


• L4-2



Bucket capacity (with BOC)		0.4m ³
Operating weight		2645kg
Engine	Maker/Model	KUBOTA D1503-DI-K2A
	Flywheel power/Rated speed	21.3kW (29PS)/ 2400rpm
	Piston displacement	1,499 L
	Fuel tank capacity	50 L (Light oil)
	Operating load	650kg
Max. drawbar pull		27000N (2750kg)
Performance	Travel speed	1st gear F&R 7.5km/h
	(2 forward & 2 reverse)	2nd gear F&R 15km/h
	Gradeability	30°
	Turning radius (center of outside wheel)	3040mm
	Articulation angle	41°

Dimensions	Overall length (with BOC at ground)	4140mm
	Overall width (Bucket)	1570mm
	Overall height (Canopy)	2415mm
	Wheelbase	1780mm
	Ground clearance	255mm
	Dumping clearance (with BOC)	2155mm
	Dumping reach (with BOC)	815mm
Bucket hinge pin height (Max.)		2685mm
Battery		12V-75D26
Transmission control HST		HST (Electrical)
Tire size/Pressure (standard)		12.5/70-16-6PR 200kPa