

COMPACT EXCAVATOR

# TB225

TAKEUCHI™

*From World First to World Leader*



Operating Weight: 2,400 kg

# Product Features & Specifications

## ENGINE

- EU Stage V Emission Compliant
- Engine Preheat
- Extended Life Coolant
- Auto Deceleration
- Double Element, Air Cleaner (optional)
- Automatic Fuel Bleed System
- High Capacity Fuel Filters
- Engine Safety Start System on the Left Console

## ELECTRICAL

- Multi-informational Display
- 12 volt System with 40 amp Alternator
- Battery Switch
- 2 LED Canopy Lights
- 1 LED Working Light on Boom
- 1 LED Cab Front Light
- Additional LED Cab Front Light (optional)
- Beacon Socket and Lamp Switch (Cab Only)
- TFM (Takeuchi Fleet Management, GPS) (optional)\*
- TSS (Takeuchi Security System, Immobilizer) (optional)\*
- Hour Meter
- Travel Alarm (optional)

## OPERATOR'S STATION

- ROPS / TOPS / OPG (TOP Guard, Level I) cab and canopy
- Suspension Seat with Head Rest
- Cab with Heat Defrost, Windshield Wiper and Washer, Skylight, AM / FM / Bluetooth Radio, 12V Power Outlet
- 2" Retractable Seat Belt
- OPG Level I Front Guard (Cab Optional)

## UNDERCARRIAGE AND FRAME

- Triple Flanged Track Rollers
- Hydraulically Retractable Track Frame (1,100 mm to 1,500 mm)
- Backfill Blade with Pin-on Extensions
- 2-Speed Travel with Automatic Shift
- Wraparound Protective Counterweight
- 250 mm Rubber Crawlers

## TAKEUCHI FLEET MANAGEMENT

- Minimize Downtime
- Remote Diagnostics
- Utilization Tracking
- Proactive Maintenance
- Control Costs

## HYDRAULIC

- Variable Displacement Pump
- Hydraulic Joystick Controls
- Proportional Control for Service Port 1
- Detent for Service Port 1
- Proportional Control for Service Port 2 (optional)
- Service Port 3 for Quick Hitch (optional)
- Proportional Control for Service Port 4 (optional)
- Auxiliary Hydraulic Circuit Plumbed to Arm
- Hydraulic Tank with Fluid Sight Gauge
- Hydraulic Selector Valve (1-way / 2-way)
- Pilot Accumulator (optional)
- Air Breather, Hydraulic Tank
- Auto Tank (optional)
- Adjustable Auxiliary Flow for Service Port 1, 2 and 4

## WORKING EQUIPMENT

- Independent Mono Boom Swing
- Cushioned Boom and Swing Cylinders
- Boom Swing Stopper (optional)
- 1,120 mm Arm
- 1,245 mm Arm
- Arm and Boom Holding Valve with Lift Alarm (optional)
- Pattern Change Valve (ISO or G) (optional)



Large Lockable Service Covers Provide Ground Level Access



Convenient Service and Maintenance Access

\*Functions may not be available in all countries, so please consult your Takeuchi dealer for details.

# TOUGH, POWERFUL, RELIABLE



Multi-Informational Display



Pilot Operated Controls



Comfortable Seat



Retractable Track Frame

The TB225 features all steel construction, a spacious operator station, smooth hydraulic pilot joystick controls that deliver precise responsive controls. The TB225 provides the operator with the best in class engine output that allows more power and increases productivity.

This machine provides outstanding arm and bucket breakout force, dig depth, reach and lifting capacity for maximum productivity making it a great choice for the most demanding applications.

Additional features include automatic fuel bleed system, standard auto deceleration, a large wraparound counterweight and hydraulically retractable track frame that can be adjusted from 1,100 mm to 1,500 mm.

The operator is protected by a ROPS / TOPS / OPG (TOP Guard, Level I) cab and canopy that keeps the operator safe and comfortable on any job site.



Spacious Operator's Station with Easy to Reach Controls and Switches.

## OPERATING PERFORMANCE

|   |                       |
|---|-----------------------|
| Operating Weight - Cab                      | 2,400 kg              |
| Operating Weight - Canopy                   | 2,265 kg              |
| Bucket Capacity (Heaped)                    | 0.064 m <sup>3</sup>  |
| Slew Speed                                  | 9.7 min <sup>-1</sup> |
| Travel Speed                                |                       |
| 1st   | 2.5 km/h              |
| 2nd   | 4.2 km/h              |
| Gradeability                                | 30°                   |
| Ground Pressure - Cab                       | 30.4 kPa              |
| Ground Pressure - Canopy                    | 28.7 kPa              |
| Maximum Bucket Breakout Force               | 19.3 kN               |
| Maximum Arm Digging Force<br>(1,120 mm Arm) | 13.8 kN               |
| Maximum Arm Digging Force<br>(1,245 mm Arm) | 12.8 kN               |
| Traction Force                              | 26.7 kN               |
| Boom Swing Angle (Left/Right)               | 75° / 55°             |

## ENGINE

|                          |                                   |
|--------------------------|-----------------------------------|
| Model                    | Yanmar / 3TNV82A                  |
| Rated Output (ISO 14396) | 16.5 kW / 2,200 min <sup>-1</sup> |
| Maximum Torque           | 84.1 Nm / 1,320 min <sup>-1</sup> |
| Displacement             | 1,330 ml                          |
| Alternator               | 12 V - 0.48 kW                    |
| Battery (IEC 60095-1)    | 12 V - 58.0 A·h                   |

## FLUID CAPACITY

|                              |        |
|------------------------------|--------|
| Engine Lubrication           | 3.6 L  |
| Cooling System               | 4.3 L  |
| Fuel Tank Capacity           | 30.5 L |
| Hydraulic Reservoir Capacity | 26.0 L |
| Hydraulic System Capacity    | 36.0 L |

## HYDRAULIC SYSTEM

|                    |                            |
|--------------------|----------------------------|
| P1, P2             | Variable Displacement Pump |
| Flow Rate          | 25.3 L/min                 |
| Relief Pressure    | 21.0 MPa                   |
| P3                 | Gear Pump                  |
| Flow Rate          | 13.2 L/min                 |
| Relief Pressure    | 19.6 MPa                   |
| Service Port 1     |                            |
| Flow Rate          | 38.5 L/min                 |
| Hydraulic Pressure | 21.0 MPa                   |
| Service Port 2     |                            |
| Flow Rate          | 13.2 L/min                 |
| Hydraulic Pressure | 19.6 MPa                   |
| Service Port 3     |                            |
| Hydraulic Pressure | 19.6 MPa                   |
| Service Port 4     |                            |
| Flow Rate          | 13.2 L/min                 |
| Hydraulic Pressure | 19.6 MPa                   |

## SAFETY and HEALTH

|                   |                        |
|-------------------|------------------------|
| Vibration Levels  |                        |
| Hand / Arm        | ≤ 2.5 m/s <sup>2</sup> |
| Body              | ≤ 0.5 m/s <sup>2</sup> |
| Noise Level       |                        |
| Sound Power Level | L <sub>WA</sub> 93 dB  |



Multi-Function Switch Banks



Triple Flange Track Rollers

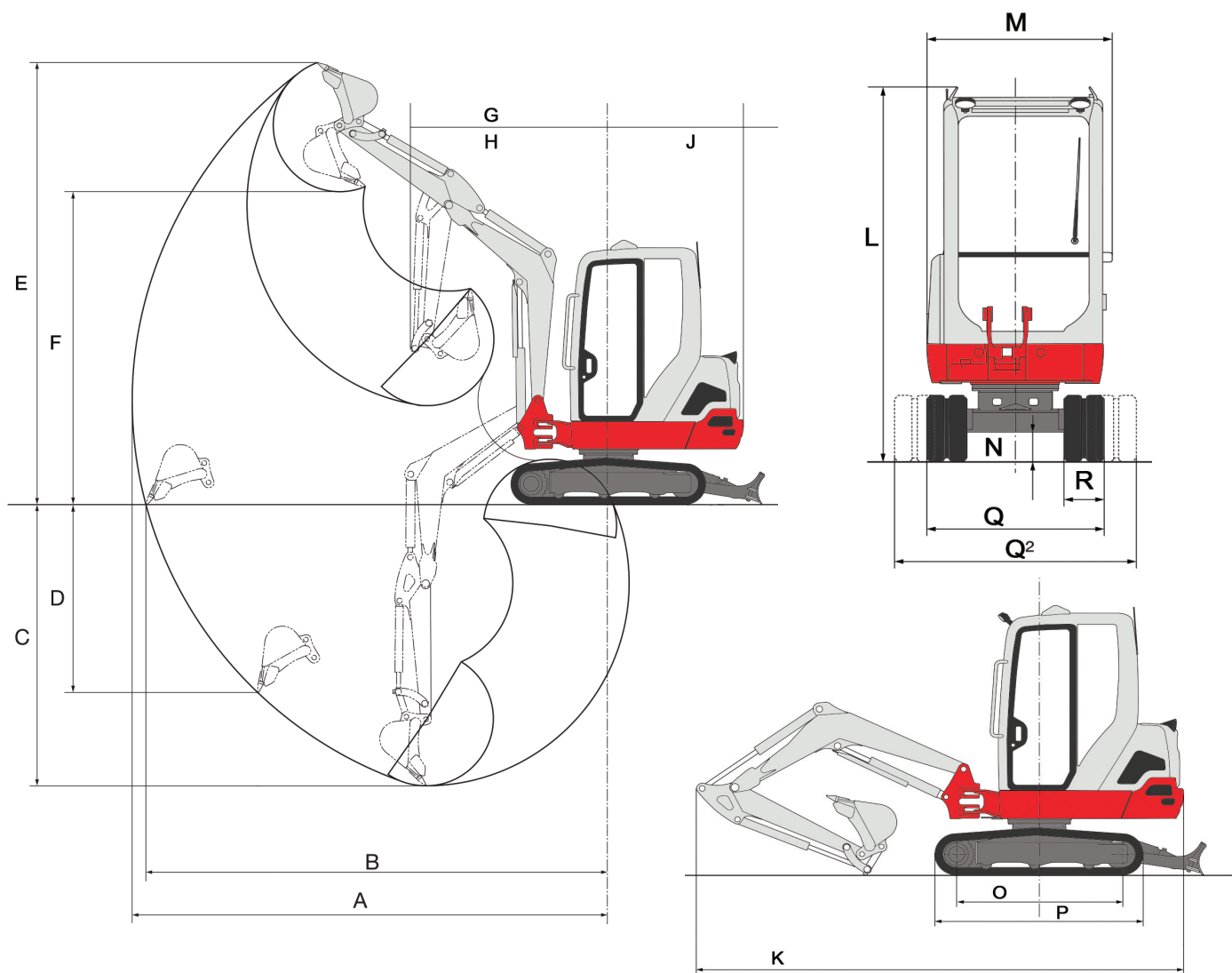


Main Boom Cylinder Guard



Wraparound Counterweight

# TB225 Compact Excavator



| MACHINE DIMENSIONS |   | 1,120 mm Arm        | 1,245 mm Arm |
|--------------------|---|---------------------|--------------|
| A                  | Maximum Reach                             | 4,255 mm            | 4,375 mm     |
| B                  | Maximum Reach at Ground Level             | 4,130 mm            | 4,250 mm     |
| C                  | Maximum Digging Depth                     | 2,455 mm            | 2,580 mm     |
| D                  | Maximum Vertical Digging Depth            | 1,980 mm            | 2,100 mm     |
| E                  | Maximum Height of Cutting Edge            | 3,985 mm            | 4,060 mm     |
| F                  | Maximum Dumping Height                    | 2,800 mm            | 2,875 mm     |
| G                  | Front Swing Radius                        | 1,810 mm            | 1,830 mm     |
| H                  | Front Swing Radius with Boom Offset       | 1,465 mm            | 1,485 mm     |
| J                  | Slew Radius                               | 1,240 mm            |              |
| K                  | Overall Length                            | 4,165 mm            | 4,180 mm     |
| L                  | Overall Height (Cab / Canopy)             | 2,430 mm / 2,355 mm |              |
| M                  | Upper Structure Overall Width             | 1,100 mm            |              |
| N                  | Ground Clearance                          | 190 mm              |              |
| O                  | Crawler Base                              | 1,415 mm            |              |
| P                  | Crawler Overall Length                    | 1,790 mm            |              |
| Q                  | Crawler Overall Width - Crawler Retracted | 1,100 mm            |              |
| Q²                 | Crawler Overall Width - Crawler Extended  | 1,500 mm            |              |
| R                  | Crawler Shoe Width                        | 250 mm              |              |



© 2019 Takeuchi MFG. Co., Ltd. All Rights Reserved. In accordance with our established policy of continued improvement, specifications and features are subject to change without notice. Pictures may show options other than standard equipment.

FORM: TB225 Compact Excavator Spec Sheet - Mar. 2019

**TAKEUCHI**<sup>™</sup>  
From World First to World Leader