

OPERATING PERFORMANCE

Operating Weight - Cab	5,725 kg
Operating Weight - Canopy	5,625 kg
Bucket Capacity (Heaped)	0.141 m ³
Slew Speed	9.9 min ⁻¹
Travel Speed	
1st	2.7 km/h
2nd	5.1 km/h
Gradeability	30°
Ground Pressure - Cab	32.4 kPa
Ground Pressure - Canopy	31.9 kPa
Maximum Bucket Breakout Force	36.3 kN
Maximum Arm Digging Force	25.2 kN
Traction Force	56.1 kN
Boom Swing Angle (Left/Right)	30° / 15°

ENGINE

Model	Yanmar / 4TNV88
Rated Output (ISO 14396)	29.5 kW / 2,400 min ⁻¹
Maximum Torque	143.4 Nm / 1,440 min ⁻¹
Displacement	2,189 ml
Alternator	12 V - 0.48 kW
Battery (IEC 60095-1)	12 V - 72 A·h

FLUID CAPACITY

Engine Lubrication	7.4 L
Cooling System	8.8 L
Fuel Tank Capacity	65.0 L
Hydraulic Reservoir Capacity	68.0 L
Hydraulic System Capacity	110.0 L

HYDRAULIC SYSTEM

P1, P2	Variable Displacement Pump
Flow Rate	58.3 L/min
Relief Pressure	21.0 MPa
P3	Gear Pump
Flow Rate	38.9 L/min
Relief Pressure	20.6 MPa
Service Port 1	
Flow Rate	58.3 L/min
Flow Rate - High Flow	95.0 L/min
Hydraulic Pressure	21.0 MPa
Service Port 2	
Flow Rate	38.9 L/min
Hydraulic Pressure	20.6 MPa
Service Port 3	
Hydraulic Pressure	20.6 MPa

SAFETY and HEALTH

Vibration Levels	
Hand / Arm	≤ 2.5 m/s ²
Body	≤ 0.5 m/s ²
Noise Level	
Sound Power Level	LWA 96 dB



Multi-Informational Display



Full Rotation Capability

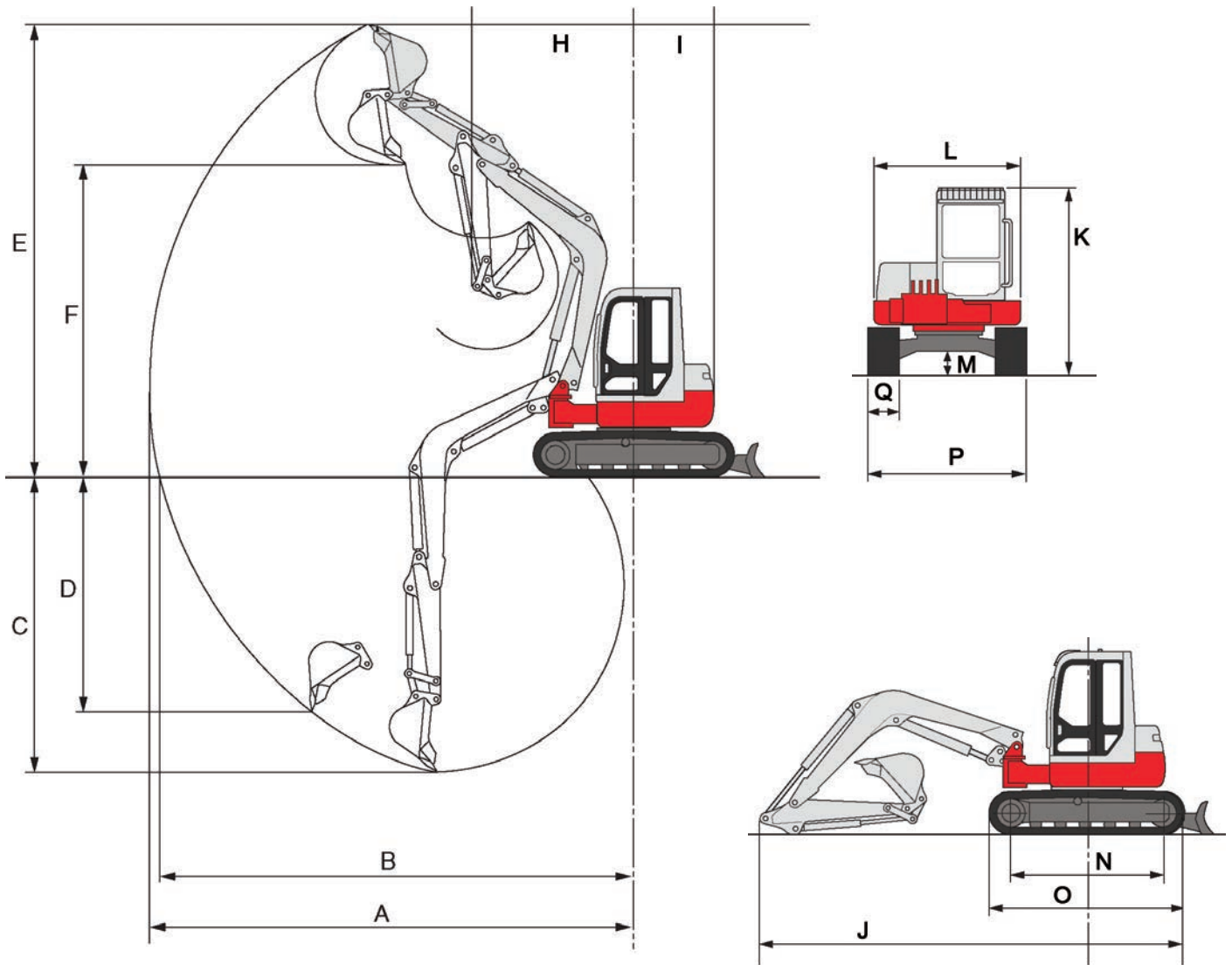


2 Speed Travel w/ Auto Shift



Auxiliary Hydraulic Lines

TB153FR Compact Excavator



MACHINE DIMENSIONS	1,450 mm ARM	1,760 mm ARM
A Maximum Reach	5,905 mm	6,195 mm
B Maximum Reach at Ground Level	5,765 mm	6,065 mm
C Maximum Digging Depth	3,590 mm	3,900 mm
D Maximum Vertical Digging Depth	2,735 mm	3,030 mm
E Maximum Height of Cutting Edge	5,320 mm	5,490 mm
F Maximum Dumping Height	3,710 mm	3,885 mm
H Front Swing Radius with Boom Offset	1,285 mm	1,400 mm
I Slew Radius	1,110 mm	1,110 mm
J Overall Length	5,330 mm	5,350 mm
K Overall Height (Cab / Canopy)	2,570 mm / 2,585 mm	2,570 mm / 2,585 mm
L Upper Structure Overall Width	1,860 mm	1,860 mm
M Ground Clearance	300 mm	300 mm
N Crawler Base	1,985 mm	1,985 mm
O Crawler Overall Length	2,500 mm	2,500 mm
P Crawler Overall Width	2,000 mm	2,000 mm
Q Crawler Shoe Width	400 mm	400 mm