



Doosan Infracore
Portable Power

LightSource V9 Portable Light Tower



Specifications

LightSource V9

Compact design

- 9 units fit on a truck or in a container
- Foldable tow bar (optional) for minimal footprint.

Accessibility

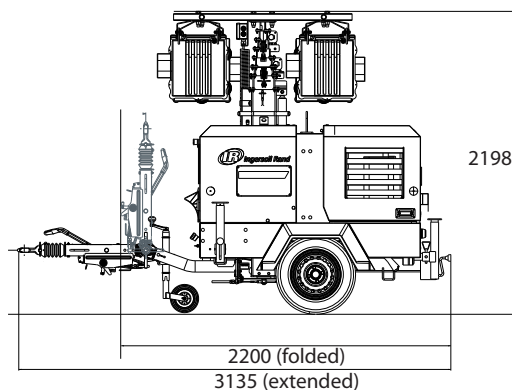
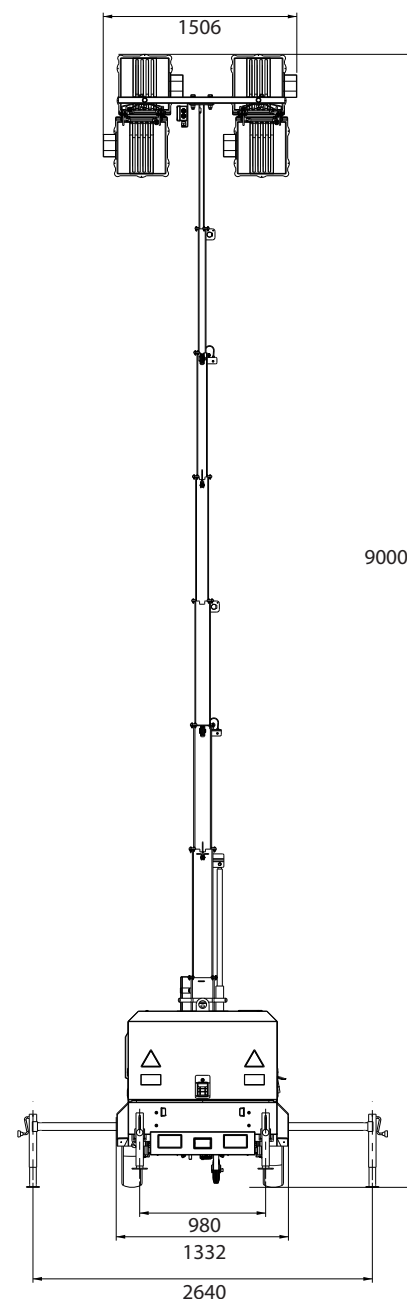
- Integral 110% bunded base with easy drain facility
- Full access to complete power train.

Mast

- 350 degrees rotation
- Hydraulic operation
- Hydraulic safety valve
- Emergency relief valve
- > 100 km/h wind resistance
- In-built level gauge.



LightSource	V9
GENERAL INFORMATION	
Number of units per truck	9 units
Extended tower height	9000 mm
Shipping dimensions (L x W x H)	3135 (2200*) x 1332 x 2198 mm
Dry / Wet weight	1167 / 1263 kg
ENGINE	
Model	Kubota D1105
Power @ 1500 rpm	8.4 kW
Tank capacity	130 l
Fuel consumption	1.69 l/h
Maximum runtime	73 h
Maximum sound power level	88 LwA
ALTERNATOR	
Model	Mecc Alte LT3/130
Prime power rate	6 kVA
MAST	
Mast raise / lower time	10 sec / 25 sec
Rotation	350 degrees
Lamps	4 x 1000 W Metal Halide
Lighting power	360 000 lumen
STANDARD FEATURES	
Auxiliary sockets	2 x 16 A / 230 V
High water temperature shutdown	Standard
Low oil pressure shutdown	Standard
Low fuel level shutdown	Standard
Earth rod & cable	Standard
Earth leakage protection	Standard
OPTIONS	
Auto Start with timer & photocell	
Variable height tow bar	
*Foldable tow bar	
Refinery kit	
Mains power supply connector	
Remote orientation of lamps	
Cold Start package	
Special colour	



Product improvement is a continuous goal at Doosan Infracore Portable Power. Specifications and design are subject to change without notice or obligation. All dimensions in mm.

www.doosanportablepower.com

DOOSAN Doosan Infracore
Portable Power

