

# DYNAPAC

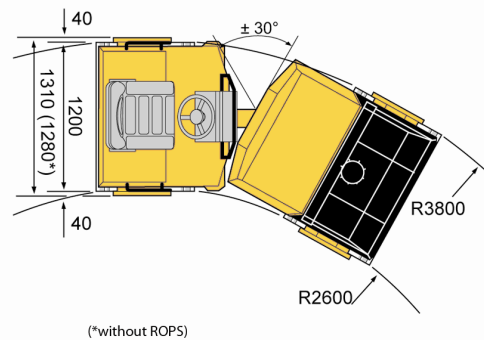
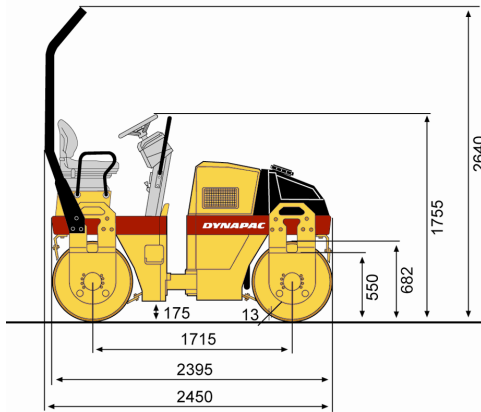
Part of the Atlas Copco Group

## CC122

### Double drum vibratory rollers



#### Technical data



<b>Masses</b>	<b>CC122</b>
Max. operating mass	2,710 kg
Operating mass (incl. ROPS)	2,600 kg
Front module mass	1,260 kg
Rear module mass	1,340 kg
<b>Traction</b>	
Speed range (km/ h)	0-10
Vertical oscillation	±10°
Theor. gradeability	45 %
<b>Compaction</b>	
Water tank (l)	160
Centrifugal force	27 kN
Nominal amplitude	0.50 mm
Static linear load, front	10.50 kg/ cm
Static linear load, rear	11.20 kg/ cm
Vibration frequency	58 Hz
<b>Engine</b>	
Manufacturer	Deutz
Model	D2011 L02 I
Type	Air cooled diesel
Rated power	31 hp
Rated power	23 kW
Rated power @	2,800 rpm
Rated power (rating standard)	SAE J1995
Fuel tank capacity	50 l
<b>Hydraulic system</b>	
Driving	Axial piston pump with variable displacement and servo. 2 radial piston motors with constant displacement.
Vibration	Gear pump/ motors with constant displacement.
Steering	Gear pump with constant displacement.
Service brake	Hydrostatic in forward and reverse lever.
Parking/ Emergency brake	Failsafe multidisc brake in both drums.

Find your local dealer at [www.dynapac.com](http://www.dynapac.com)

We reserve the right to change specifications without notice. Photos and illustrations do not always show standard versions of machines. The above information is a general description only, all informations are supplied without liability.