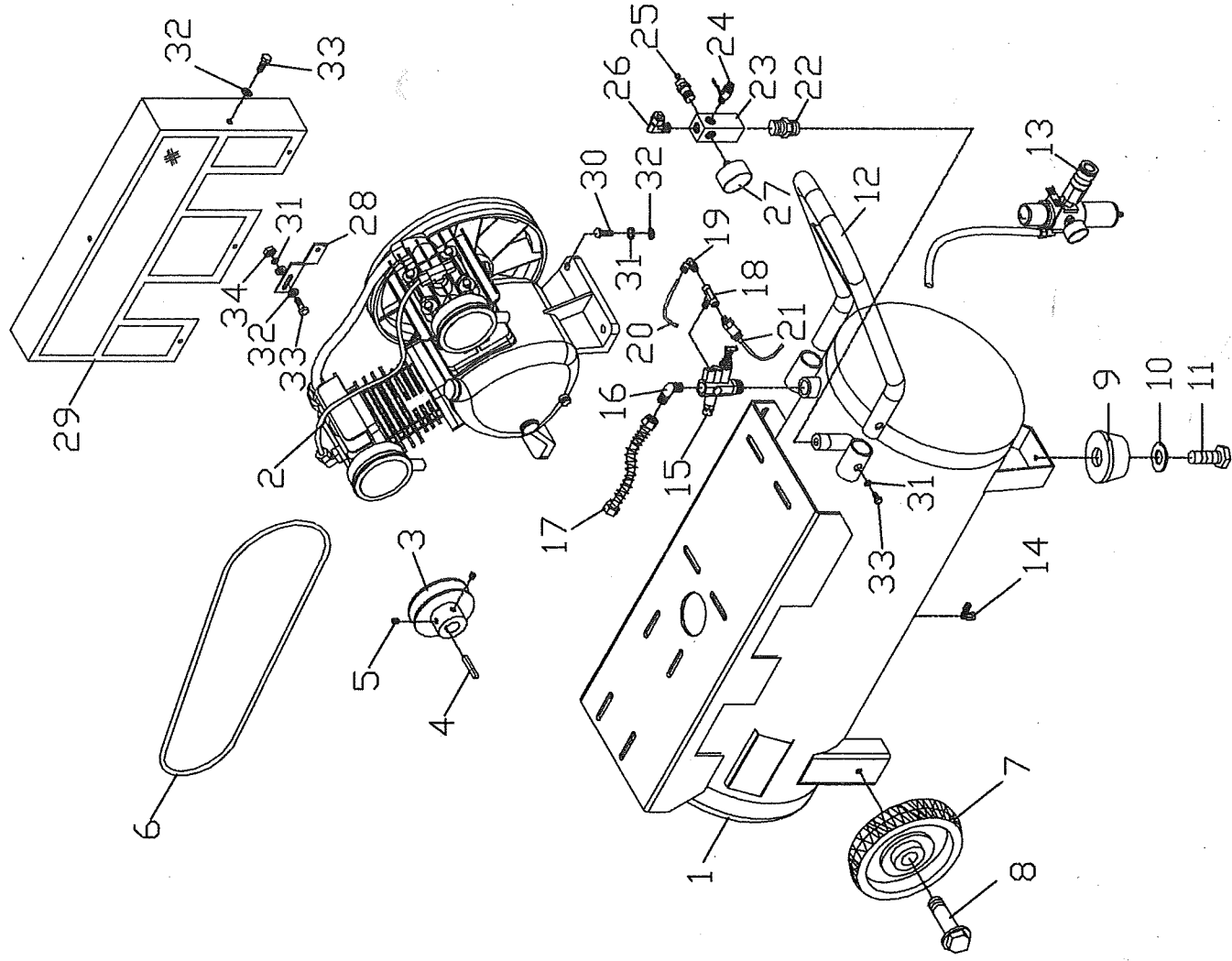


TB-2065 BARE ASSEMBLY

No:1503

Part No.	Description	Q'ty	Part No.	Description	Q'ty
1 TB2065-1	crankcase	1	21 TB2065-21	oil seal	1
2 TB2065-2	gasket of rear cover	1	22 TB2065-22	rear bearing	1
3 TB2065-3	gasket of cylinder	2	23 TB2065-23	lock bolt of head	8
4 TB2065-4	oil glass	1	24 TB2065-24	washer	8
5 TB2065-5	oil plug nut	1	25 TB2065-25	piston pin	2
6 TB2065-6	front bearing	1	26 TB2065-26	snap ring	4
7 TB2065-7	crankshaft	1	27 TB2065-27	connecting rod	2
8 TB2065-8	piston	2	28 TB2065-28	lock bolt	2
9 TB2065-9	cylinder	2	29 TB2065-29	outlet pipe	1
10 TB2065-10	cylinder head	2	30 TB2065-30	nut of outlet pipe	2
11 TB2065-11	compressor oil ring	2	31 TB2065-31	oil splash plate	2
12 TB2065-12	oil cap	1	32 TB2065-32	outlet elbow	1
13 TB2065-13	compression ring	4	33 TB2065-33	outlet T-elbow	1
14 TB2065-14	spring washer	8	34 TB2065-34	spring washer	2
15 TB2065-15	lock bolt of cylinder	20	35 TB2065-35	breather cap	1
16 TB2065-16	baro pulley key	1	36 TB2065-36	lock bolt of rear cover	4
17 TB2065-17	air filter set	2	37 TB2065-37	lock bolt of bare pulley	1
18 TB2065-18	air filter	2	38 TB2065-38	pulley washer	1
19 TB2065-19	air intake&exhaust valve	2	39 TB2065-39	bare pulley	1
20 TB2065-20	rear cover	1			



TB-5550PH AIR TANK ASSEMBLY

No.1503

Part No.	Description	Q'ty	Part No.	Description	Q'ty
1	Air tank	1	18	Male/female tee	1
2	Air compressor bare	1	19	PU male	1
3	Power pulley	1	20	Unloading tube	1
4	Shaft key	1	21	Petrol wire valve	1
5	Lock bolt of pulley	2	22	Nipple	1
6	V-belts	1	23	Cock seat	1
7	Wheel	2	24	Air switch	1
8	Wheel shaft	2	25	Safety valve	1
9	Rubber feet	2	26	90° male PU	1
10	Washer	2	27	Pressure gauge	1
11	Hexagon screws	2	28	Rib	1
12	Handle	1	29	Belt cover set	1
13	Filter cup	1	30	Bare lock bolt	4
14	Drain valve	1	31	Spring washer	7
15	Master control valve	1	32	Washer	12
16	Elbow	1	33	Lock bolt	9
17	Outlet pipe	1	34	Lock nut	1