



# DX140LCR TECHNICAL DATA





## GENERAL SPECIFICATIONS

ITEMS		UNIT	STANDARD
ENGINE	MODEL		Cummins QSB4.5 Diesel, Tier III Certified
	NUMBER OF CYLINDERS		4
	RATED FLYWHEEL POWER (hp PER SAE J1995) GROSS	hp / rpm	108 / 1,850
		kW / rpm	81 / 1,850
	RATED FLYWHEEL POWER (hp PER SAE J1349) NET	hp / rpm	99 / 1,850
		kW / rpm	74 / 1,850
	MAXIMUM TORQUE (GROSS) (SAE J1995)	ft lb / rpm	338 / 1,400
		Nm / rpm	458 / 1,400
	PISTON DISPLACEMENT	in <sup>3</sup>	275
		cc	4,500
	BORE AND STROKE	in x in	4.0 x 5.4
mm x mm		102 x 138	
STARTER	V / kW	24 V, 3.7 kW	
BATTERIES	V / AH	2 x 12 V x 100 AH	
AIR CLEANER		Double element with auto dust evacuation.	
MAIN PUMPS – 2 VARIABLE DISPLACEMENT AXIAL PISTON PUMPS MAXIMUM FLOW	US gpm	2 x 30.1	
	L/min	2 x 114	
PILOT PUMP (GEAR DESIGN)	MAXIMUM FLOW	US gpm	7.3
		L/min	27.8
	RELIEF PRESSURE	psi	569
		bar	39
MAXIMUM SYSTEM PRESSURE	BOOM/ARM/BUCKET (NORMAL MODE)	psi	4,694
		bar	324
	BOOM/ARM/BUCKET (POWER MODE)	psi	4,978
		bar	343
	TRAVEL	psi	4,694
		bar	324
	SWING	psi	3,840
		bar	265
UNDERCARRIAGE	UPPER ROLLERS		1 each track (STD. Shoes)
	LOWER ROLLERS		7 each track
	NUMBER OF SHOES (LINKS PER SIDE)		46 each track (Triple Grouser)
	TRACK LENGTH ON GROUND	ft in	9'11.5"
mm		3,035	
ENVIRONMENT	SOUND LEVEL (2000/14/EC)	dB(A)	101
	CABIN SOUND LEVEL (ISO 6396)	dB(A)	72
SWING MECHANISM	SWING SPEED	rpm	0 – 10.8
DRIVE SYSTEM	TRAVEL SPEED (FAST/SLOW)	MPH	3.1/1.9
		km/h	5.0/3.0
	DRAWBAR PULL	lb	27,558
		kg	12,500
	MAXIMUM GRADE	%	70
		°	35

# DX140LCR

ITEMS		UNIT	STANDARD
REFILL CAPACITIES	FUEL TANK	US gal	61.8
		L	234
	COOLING SYSTEM (RADIATOR CAPACITY)	qt.	19
		L	18
	ENGINE OIL	qt.	11.6
		L	11
	SWING DRIVE	qt.	4
		L	3.8
	FINAL DRIVE (EACH SIDE)	qt.	3.2
		L	3
	HYDRAULIC SYSTEM	US gal	35.1
		L	133
	HYDRAULIC TANK	US gal	24.7
		L	93.5

## WEIGHT

WEIGHT WITHOUT DOZER BLADE		
BOOM	15'1" (4.60 m)	
ARM	8'2" (2.50 m)	
BUCKET	0.67 yd <sup>3</sup> (0.51 m <sup>3</sup> )	
SHOE WIDTH	OPERATING WEIGHT	GROUND PRESSURE
23.6" (600 mm)	32,408 lb (14,700 kg)	5.83 psi (0.402 bar)
27.6" (700 mm)	32,849 lb (14,900 kg)	4.98 psi (0.343 bar)
WEIGHT WITH DOZER BLADE		
BOOM	15'1" (4.60 m)	
ARM	8'2" (2.50 m)	
BUCKET	0.67 yd <sup>3</sup> (0.51 m <sup>3</sup> )	
SHOE WIDTH	OPERATING WEIGHT	GROUND PRESSURE
23.6" (600 mm)	33,770 lb (15,318 kg)	6.10 psi (0.421 bar)
27.6" (700 mm)	34,240 lb (15,531 kg)	5.21 psi (0.359 bar)
NOTE: When the dozer blade is installed, additional weight may be occurred by track frame, dozer cylinder, dozer unit, pin assembly, track shoe.		

## HYDRAULIC CYLINDERS

The piston rods and cylinder bodies are made of high-strength steel. A shock absorbing mechanism is fitted in all cylinders to ensure shock-free operation and extend piston life.

CYLINDERS	QUANTITY	BORE x ROD DIAMETER x STROKE
BOOM	2	4.3" x 3.0" x 3'7.4" (110 x 75 x 1,103 mm)
ARM	1	4.5" x 3.1" x 3'7.6" (115 x 80 x 1,108 mm)
BUCKET	1	3.9" x 2.8" x 2'11.4" (100 x 70 x 900 mm)



## BUCKET

CAPACITY		WIDTH		WEIGHT	RECOMMENDATIONS		
					15'1" (4,600 mm) BOOM		
SAE, HEAPED	CECE, HEAPED	WITHOUT SIDE CUTTERS	WITH SIDE CUTTERS		6'11" (2,100 mm) ARM	8'2" (2,500 mm) ARM	9'10" (3,000 mm) ARM
0.31 yd <sup>3</sup> (0.24 m <sup>3</sup> )	0.29 yd <sup>3</sup> (0.22 m <sup>3</sup> )	18.4" (468 mm)	21.0" (534 mm)	595 lb (270 kg)	A	A	A
0.51 yd <sup>3</sup> (0.39 m <sup>3</sup> )	0.46 yd <sup>3</sup> (0.35 m <sup>3</sup> )	30.0" (736 mm)	32.4" (820 mm)	728 lb (330 kg)	A	A	B
0.59 yd <sup>3</sup> (0.45 m <sup>3</sup> )	0.52 yd <sup>3</sup> (0.40 m <sup>3</sup> )	32.4" (824 mm)	35.9" (911 mm)	805 lb (365 kg)	A	B	B
0.67 yd <sup>3</sup> (0.51 m <sup>3</sup> )	0.59 yd <sup>3</sup> (0.45 m <sup>3</sup> )	35.7" (907 mm)	39.0" (991 mm)	838 lb (380 kg)	A	B	C
0.77 yd <sup>3</sup> (0.59 m <sup>3</sup> )	0.67 yd <sup>3</sup> (0.51 m <sup>3</sup> )	39.3" (997 mm)	42.6" (1,081 mm)	882 lb (400 kg)	B	C	-
0.84 yd <sup>3</sup> (0.64 m <sup>3</sup> )	0.72 yd <sup>3</sup> (0.55 m <sup>3</sup> )	40.9" (1,038 mm)	45.9" (1,167 mm)	937 lb (425 kg)	C	-	-

A. Suitable for materials with density of 3,370 lb/yd<sup>3</sup> (2,000 kg•m<sup>3</sup>) or less

B. Suitable for materials with density of 2,700 lb/yd<sup>3</sup> (1,600 kg•m<sup>3</sup>) or less

C. Suitable for materials with density of 1,850 lb/yd<sup>3</sup> (1,100 kg•m<sup>3</sup>) or less

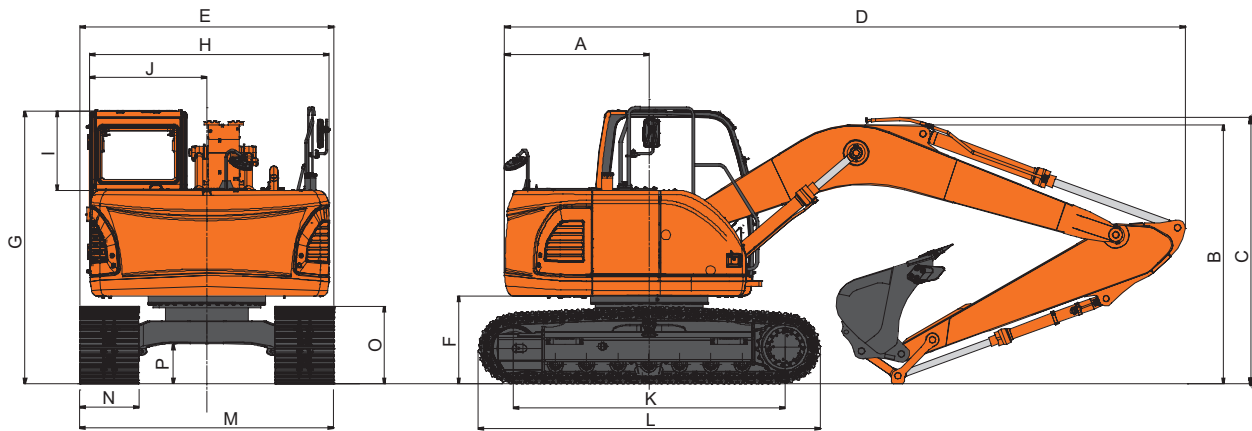
## DIGGING FORCE (ISO)

BUCKET (PCSA)	0.31 yd <sup>3</sup> (0.24 m <sup>3</sup> )	0.51 yd <sup>3</sup> (0.39 m <sup>3</sup> )	0.59 yd <sup>3</sup> (0.45 m <sup>3</sup> )	0.67 yd <sup>3</sup> (0.51 m <sup>3</sup> )	0.77 yd <sup>3</sup> (0.59 m <sup>3</sup> )	0.84 yd <sup>3</sup> (0.64 m <sup>3</sup> )	0.99 yd <sup>3</sup> (0.76 m <sup>3</sup> )
DIGGING FORCE	23,149 lbf	23,149 lbf	23,149 lbf	23,149 lbf	23,149 lbf	23,149 lbf	23,149 lbf
	10,500 kgf	10,500 kgf	10,500 kgf	10,500 kgf	10,500 kgf	10,500 kgf	10,500 kgf
	103 kN	103 kN	103 kN	103 kN	103 kN	103 kN	103 kN

ARM	6'11" (2,100 mm)	8'2" (2,500 mm)	9'10" (3,000 mm)
DIGGING FORCE	15,873 lbf	13,669 lbf	12,566 lbf
	7,200 kgf	6,200 kgf	5,700 kgf
	71 kN	71 kN	71 kN

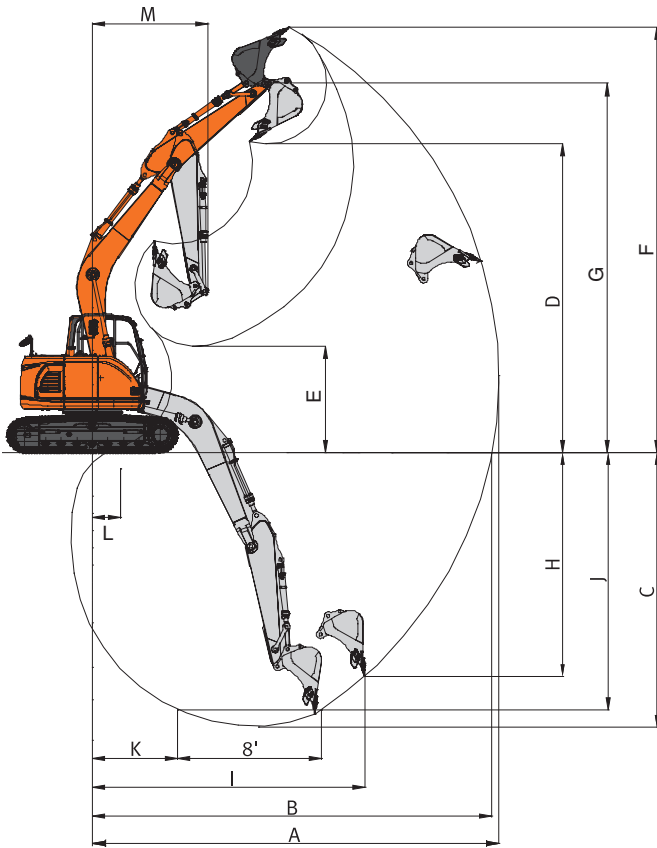
# DX140LCR

## DIMENSIONS



BOOM TYPE		15'1" (4,600 mm)		
ARM TYPE		6'11" (2,100 mm)	8'2" (2,500 mm)	9'10" (3,000 mm)
BUCKET TYPE (SAE)		0.67 yd <sup>3</sup> (0.51 m <sup>3</sup> )	0.67 yd <sup>3</sup> (0.51 m <sup>3</sup> )	0.51 yd <sup>3</sup> (0.39 m <sup>3</sup> )
TAIL SWING RADIUS	A	4'10" (1,480 mm)	←	←
SHIPPING HEIGHT (BOOM)	B	8'3" (2,520 mm)	8'8" (2,630 mm)	9'11" (3,030 mm)
SHIPPING HEIGHT (HOSE)	C	8'6" (2,585 mm)	8'11" (2,710 mm)	10'2" (3,094 mm)
SHIPPING LENGTH	D	23'9" (7,245 mm)	23'9" (7,230 mm)	23'7" (7,195 mm)
SHIPPING WIDTH	E	8'6" (2,590 mm)	←	←
C/WEIGHT CLEARANCE	F	2'11" (895 mm)	←	←
HEIGHT OVER CABIN	G	9'2" (2,795 mm)	←	←
HOUSE WIDTH	H	8'0" (2,440 mm)	←	←
CABIN HEIGHT ABOVE HOUSE	I	1'6" (450 mm)	←	←
CABIN WIDTH	J	3'11" (1,190 mm)	←	←
TUMBLER DISTANCE	K	9'11" (3,035 mm)	←	←
TRACK LENGTH	L	12'4" (3,755 mm)	←	←
UNDERCARRIAGE WIDTH	M	8'6" (2,590 mm)	←	←
SHOE WIDTH	N	2'0" (600 mm)	←	←
TRACK HEIGHT	O	2'5" (728 mm)	←	←
CAR BODY CLEARANCE	P	1'4" (410 mm)	←	←

## WORKING RANGE



BOOM TYPE		(ONE PIECE) 15'1" (4,600 mm)		
ARM TYPE		6'11" (2,100 mm)	8'2" (2,500 mm)	9'10" (3,000 mm)
BUCKET TYPE (SAE)		0.67 yd <sup>3</sup> (0.51 m <sup>3</sup> )	0.67 yd <sup>3</sup> (0.51 m <sup>3</sup> )	0.51 yd <sup>3</sup> (0.39 m <sup>3</sup> )
MAX. DIGGING REACH	A	25'9" (7,845 mm)	27'3" (8,300 mm)	28'6" (8,680 mm)
MAX. DIGGING REACH (GROUND)	B	25'3" (7,690 mm)	26'9" (8,155 mm)	28'0" (8,540 mm)
MAX. DIGGING DEPTH	C	16'9" (5,100 mm)	18'1" (5,500 mm)	19'8" (6,000 mm)
MAX. LOADING HEIGHT	D	21'0" (6,390 mm)	22'5" (6,840 mm)	23'2" (7,055 mm)
MIN. LOADING HEIGHT	E	9'6" (2,895 mm)	8'3" (2,505 mm)	6'10" (2,085 mm)
MAX. DIGGING HEIGHT	F	28'10" (8,800 mm)	30'5" (9,280 mm)	31'1" (9,470 mm)
MAX. BUCKET PIN HEIGHT	G	25'3" (7,695 mm)	26'10" (8,185 mm)	27'6" (8,370 mm)
MAX. VERTICAL WALL DEPTH	H	12'6" (3,810 mm)	14'11" (4,555 mm)	15'6" (4,735 mm)
MAX. RADIUS VERTICAL	I	18'8" (5,690 mm)	18'3" (5,555 mm)	19'5" (5,925 mm)
MAX. DEPTH TO 8' LINE	J	14'6" (4,410 mm)	16'1" (4,900 mm)	18'0" (5,480 mm)
MIN. RADIUS 8' LINE	K	4'6" (1,360 mm)	4'6" (1,360 mm)	4'6" (1,360 mm)
MIN. DIGGING REACH	L	-2" (-52 mm)	1'2" (350 mm)	2'9" (850 mm)
MIN. SWING RADIUS	M	6'2" (1,885 mm)	6'7" (1,995 mm)	7'6" (2,290 mm)

## STANDARD EQUIPMENT

### ENGINE

Cummins QSB4.5; Turbo Charged and Aftercooled  
Electronically Controlled Common Rail Direct Injected  
275 in<sup>3</sup> (4,500 cc) 6 Cylinder  
(hp per SAE J1349) Net – 99 hp (74 kW) @ 1,850 rpm  
Auto Idle System  
Equipped with the Fuel Prefilter with Water Separator and Built in Priming Pump  
Radiator Reserve Tank  
Large Capacity Double Element Air Cleaner with Evacuator  
Electronic Engine Speed Control  
Engine Overheat and Low Oil Pressure Prevention System

### HYDRAULIC SYSTEM

Pilot Operated Control Valves, (9) Spools  
Main Pump:  
– Tandem Variable Axial Piston Type, Pressure Setting 4,978 psi (343 bar)  
Pilot Circuit:  
– Gear Type Pump  
Swing Motor:  
– Axial Piston Type  
– Swing Speed Control up to 10.8 rpm  
– Spring Set, Hydraulic-released Brakes  
Travel Motor:  
– Axial Piston Type, Automatic 2-Speed Control  
Travel Speed (High/Low):  
– 3.1/1.9 MPH (5.0/3.0 km/h)  
In-Shoe Design, Oil Disk Parking Brake  
Cross Sensing Pump Control for Fuel Saving  
Two Operating Modes, Two Power Modes  
Button Control of Flow in Auxiliary Equipment Circuits  
Computer-aided Pump Power Control  
e-EPOS (Electronic Power Optimizing System) Controller

### CAB

ROPS Approved  
Steel, All Weather Sound Suppressed Type  
Fully Automatic Controlled Air Conditioner with Heat  
Multifunction Color LCD 7" (178 mm) Monitor Panel  
Lighter with Ashtray  
Door Locks  
Front Windshield Wiper with Washer  
Radio:  
– AM/FM Stereo  
– Remote Radio On/Off Switch, Control Volume, Channel Selection  
Switches:  
– Auxiliary Mode Switch  
– Engine Emergency Stop Switch  
– Work Light Switch  
– Travel Speed Selector Switch  
– Breaker, Power-up, Shear Switch  
Glass Antenna  
Safety Glass, Tinted  
Safety Lock Lever  
Seat:  
– Suspension with Seat Belt (2 Wide)  
– Reclining, Height Adjustable  
– Adjustable Arm Rests  
– Sliding Control Console  
– Weight Adjustment Knob  
Skylight  
Pull Up Type Front Window  
Removable Lower Front Window  
Sliding Side Windows  
Front Window Air Defroster  
Travel Pedals with Hand Levers  
Emergency Breakout Tool  
Lunch Box with Hot and Cool Air



## STANDARD EQUIPMENT (CONT'D)

12 V Power Socket

Joystick Lever with 3 Switches

Cup Holder

Room Light

Serial Communication Port for Laptop PC Interface (DMS, E-Doctor)

Viscous Cabin Mounts

### ELECTRICAL

Alternator:

- 60 amp

Batteries:

- (2) 12 V, 100 amp Hr. 750 CCA each

Starter:

- 24 V, 3.7 kW

Lights:

- Halogen Working Light (2) Machine, (2) Boom

Electric Horn

Hour Meter

Alarm Buzzer for:

- Engine Oil Pressure
- Coolant Temperature

Electronic Monitor for:

- Engine Coolant Temperature Gauge
- Fuel Gauge
- Hydraulic Oil Temperature Gauge

Multifunction Display for:

- Engine rpm
- Battery Voltage
- Front and Rear Hydraulic Pump Pressure
- Hydraulic Oil Overheating Warning
- Fuel Shortage Warning
- Air Cleaner Clogging Warning
- Pilot Filter Clogging Warning
- Return Filter Clogging Warning
- Digital Clock
- Engine Check Warning Light
- Engine Oil Pressure Warning Light
- Charge Warning Light
- Preheat Indicator Light
- Coolant Temperature Warning Light
- Work Light Indicator Light

Operation Modes for:

- Power Mode Selector Button
- Flow Rate Control
- Auto Idle Selector Button
- 4 Display Selector Buttons
- Trenching Mode Selector Button

### UNDERCARRIAGE

Track Guards and Chains with Adjusters

Track Rollers:

- (1) Upper, (7) Lower Each Side

Triple Grouser Shoes, 46 Each Side; 23.6" (600 mm) Width

### OTHER STANDARD EQUIPMENT

Joystick Pattern Change Valve

Counterweight:

- 7,720 lb (3,500 kg)

Sealed Pins, Boom, Arm and Bucket Linkages

Swing Mechanism, Internal Gear and Pinion

Integrated Track Spring and Idler

Centralized Lube Points

Large Handrail

Punched Metal Anti-slip Plates

Ultra-hard Wear-resistant Disk at the Bucket Pivot

Engine Restart Prevention System

Self-Diagnostic System

Manuals, Parts and Operator's

GPS 1 Year Subscription



# DX140LCR

## OPTIONAL EQUIPMENT

### HYDRAULIC KITS – FACTORY INSTALLED

Single Acting Breaker Kit  
Double Acting Thumb Kit

### ADDITIONAL OPTIONS – FACTORY INSTALLED

Air Suspension Seat  
CD Player  
Work Lights (2 Front Mounted on Cabin)  
Work Lights (4 Front 2 Rear Mounted on Cabin)  
Rotating Beacon (Mounted on Cabin)  
24 V, 80 amp Alternator  
Swing Alarm  
Electric Fuel Supply Pump  
Dozer Blade: 102" (2,591 mm) W x 23" (584 mm) H (For 23.6" (600 mm) Shoe)  
Dozer Blade: 106" (2,692 mm) W x 23" (584 mm) H (For 27.6" (700 mm) Shoe)  
Falling Objects Guard Assembly Kit  
Rain Shield  
Lock Valve

### GEITH COUPLERS – DEALER INSTALLED

Hydraulic Quick Coupler  
Manual Quick Coupler

### GEITH THUMBS – DEALER INSTALLED

Hydraulic Pro Link Thumb  
Mechanical Thumb

### HYDRAULIC KITS – DEALER INSTALLED

Breaker Kit Single Acting HKX  
Thumb Kit (T) Double Acting HKX Piping Ends at Boom Tip  
Breaker/Thumb Kit (BT) Single and Double Acting HKX

### ADDITIONAL OPTIONS – DEALER INSTALLED

Vandalism Covers  
3" (76 mm) Seat Belt



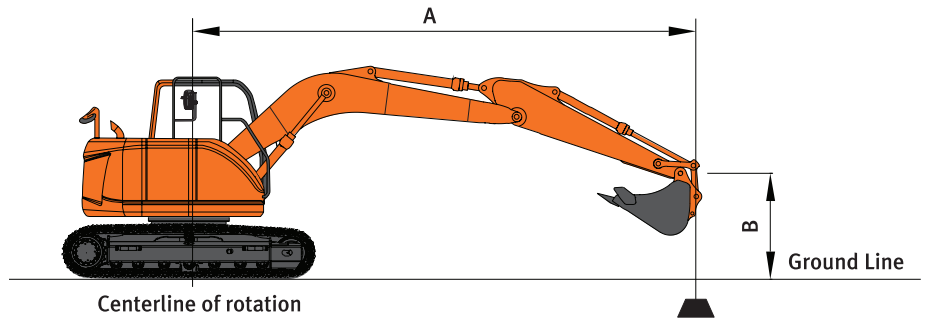
# LIFTING CAPACITY

**Boom: 15'1" (4,600 mm)**

**Arm: 8'2" (2,500 mm)**

**Bucket: SAE 0.67 yd<sup>3</sup> (0.51 m<sup>3</sup>)**

**Shoe: 23.6" (600 mm)**



Feet Unit: 1,000 lb

B (ft)	10		15		20		MAX. REACH		
									A (ft)
25							3.88 *	3.88 *	12.48
20			5.71 *	5.71 *			3.10 *	3.10 *	18.39
15			6.95 *	6.95 *	4.98 *	4.87	2.91 *	2.91 *	21.59
10	12.07 *	12.07 *	9.25 *	7.60	7.16 *	4.68	2.98 *	2.98 *	23.30
5	18.32 *	13.11	11.59 *	6.99	7.31	4.43	3.25 *	3.25 *	23.84
0 (GROUND)	19.82 *	12.14	11.14	6.52	7.07	4.21	3.83 *	3.30	23.29
-5	21.01 *	11.94	10.91	6.32	6.96	4.11	4.99 *	3.68	21.58
-10	18.19 *	12.14	10.98	6.38			7.98 *	4.77	18.35
-15	11.54 *	11.54 *					8.97 *	8.97 *	12.45

Metric Unit: 1,000 kg

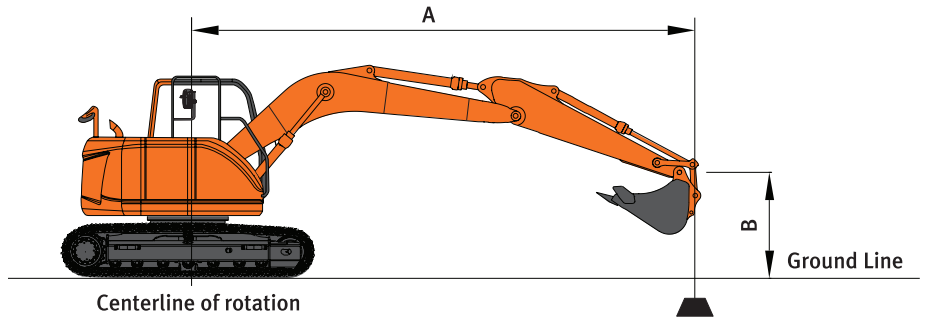
B (m)	2		3		4		5		6		7		MAX. REACH		
															A (m)
8			2.09 *	2.09 *									1.98 *	1.98 *	3.08
7					2.41 *	2.41 *							1.56 *	1.56 *	4.69
6					2.80 *	2.80 *	2.36 *	2.36 *					1.40 *	1.40 *	5.68
5					3.02 *	3.02 *	2.86 *	2.86 *	2.04 *	2.04 *			1.33 *	1.33 *	6.36
4			3.39 *	3.39 *	3.54 *	3.54 *	3.37 *	3.09	2.74 *	2.25			1.32 *	1.32 *	6.82
3	8.06 *	8.06 *	5.63 *	5.63 *	4.59 *	4.28	4.02 *	2.97	3.39 *	2.18	1.69 *	1.65	1.35 *	1.35 *	7.11
2			7.64 *	6.35	5.58 *	4.01	4.57 *	2.82	3.44	2.10	2.21 *	1.61	1.42 *	1.42 *	7.25
1			9.19 *	5.89	6.46 *	3.78	4.49	2.69	3.36	2.02	2.44 *	1.57	1.55 *	1.47	7.25
0 (GROUND)	4.23 *	4.23 *	8.62 *	5.65	6.31	3.61	4.38	2.59	3.29	1.96	2.19 *	1.53	1.74 *	1.50	7.10
-1	5.67 *	5.67 *	9.41 *	5.57	6.21	3.53	4.31	2.52	3.24	1.92			2.03 *	1.59	6.80
-2	7.35 *	7.35 *	9.40 *	5.57	6.18	3.51	4.28	2.50	3.24	1.91			2.54 *	1.77	6.33
-3	9.44 *	9.44 *	8.43 *	5.65	6.23	3.55	4.32	2.53					3.54 *	2.14	5.63
-4	9.23 *	9.23 *	6.78 *	5.81	5.12 *	3.65							4.18 *	2.95	4.62

- LOAD POINT IS THE END OF THE ARM.
- CAPACITIES MARKED WITH AN ASTERISK (\*) ARE LIMITED BY HYDRAULIC CAPACITIES.
- LIFT CAPACITIES SHOWN DO NOT EXCEED 75% OF MINIMUM TIPPING LOADS OR 87% OF HYDRAULIC CAPACITIES.

Rating Over Front  
 Rating Over Side or 360 degree

# DX140LCR

**Boom: 15'1" (4,600 mm)**  
**Arm: 8'2" (2,500 mm)**  
**Bucket: SAE 0.67 yd<sup>3</sup> (0.51 m<sup>3</sup>)**  
**Shoe: 27.6" (700 mm)**



Feet Unit: 1,000 lb

B (ft)	10		15		20		MAX. REACH		
									A (ft)
25							3.88 *	3.88 *	12.48
20			5.71 *	5.71 *			3.10 *	3.10 *	18.39
15			6.95 *	6.95 *	4.98 *	4.90	2.91 *	2.91 *	21.59
10	12.07 *	12.07 *	9.25 *	7.66	7.16 *	4.72	2.98 *	2.98 *	23.30
5	18.32 *	13.21	11.59 *	7.04	7.37	4.47	3.25 *	3.25 *	23.84
0 (GROUND)	19.82 *	12.24	11.23	6.58	7.13	4.25	3.83 *	3.33	23.29
-5	21.01 *	12.04	11.00	6.37	7.02	4.15	4.99 *	3.72	21.58
-10	18.19 *	12.24	11.08	6.44			7.98 *	4.81	18.35
-15	11.54 *	11.54 *					8.97 *	8.97 *	12.45

Metric Unit: 1,000 kg

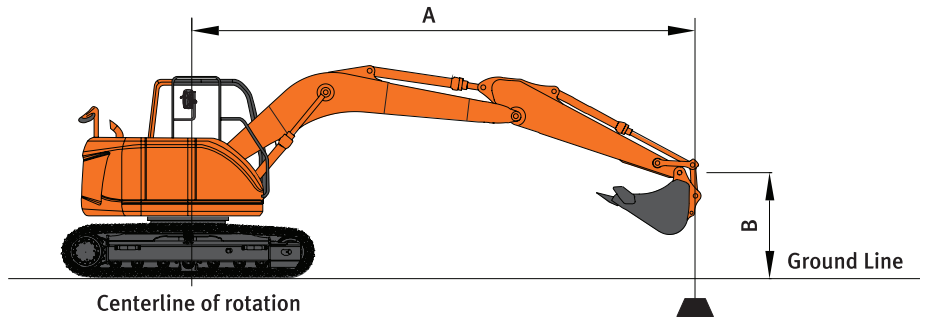
B (m)	2		3		4		5		6		7		MAX. REACH		
															A (m)
8			2.09 *	2.09 *									1.98 *	1.98 *	3.08
7					2.41 *	2.41 *							1.56 *	1.56 *	4.69
6					2.80 *	2.80 *	2.36 *	2.36 *					1.40 *	1.40 *	5.68
5					3.02 *	3.02 *	2.86 *	2.86 *	2.04 *	2.04 *			1.33 *	1.33 *	6.36
4			3.39 *	3.39 *	3.54 *	3.54 *	3.37 *	3.11	2.74 *	2.27			1.32 *	1.32 *	6.82
3	8.06 *	8.06 *	5.63 *	5.63 *	4.59 *	4.31	4.02 *	2.99	3.39 *	2.20	1.69 *	1.66	1.35 *	1.35 *	7.11
2			7.64 *	6.39	5.58 *	4.05	4.57 *	2.85	3.47	2.12	2.21 *	1.62	1.42 *	1.42 *	7.25
1			9.19 *	5.93	6.46 *	3.81	4.53	2.71	3.38	2.04	2.44 *	1.58	1.55 *	1.49	7.25
0 (GROUND)	4.23 *	4.23 *	8.62 *	5.7	6.36	3.64	4.41	2.61	3.31	1.97	2.19 *	1.55	1.74 *	1.51	7.10
-1	5.67 *	5.67 *	9.41 *	5.61	6.26	3.56	4.34	2.54	3.27	1.94			2.03 *	1.60	6.80
-2	7.35 *	7.35 *	9.40 *	5.62	6.24	3.54	4.32	2.53	3.27	1.93			2.54 *	1.79	6.33
-3	9.44 *	9.44 *	8.43 *	5.70	6.28	3.58	4.35	2.56					3.54 *	2.16	5.63
-4	9.23 *	9.23 *	6.78 *	5.85	5.12 *	3.68							4.18 *	2.98	4.62

- LOAD POINT IS THE END OF THE ARM.
- CAPACITIES MARKED WITH AN ASTERISK (\*) ARE LIMITED BY HYDRAULIC CAPACITIES.
- LIFT CAPACITIES SHOWN DO NOT EXCEED 75% OF MINIMUM TIPPING LOADS OR 87% OF HYDRAULIC CAPACITIES.

Rating Over Front  
 Rating Over Side or 360 degree



**Boom: 15'1" (4,600 mm)**  
**Arm: 9'10" (3,000 mm)**  
**Bucket: SAE 0.51 yd<sup>3</sup> (0.39 m<sup>3</sup>)**  
**Shoe: 23.6" (600 mm)**



Feet Unit: 1,000 lb

B (ft)	10		15		20		MAX. REACH		
									A (ft)
25							3.64 *	3.64 *	14.50
20			5.32 *	5.32 *			3.07 *	3.07 *	19.77
15			5.99 *	5.99 *	5.11 *	4.99	2.94 *	2.94 *	22.76
10	8.52 *	8.52 *	8.12 *	7.78	6.66 *	4.78	3.03 *	3.03 *	24.39
5	16.44 *	13.53	10.76 *	7.12	7.37	4.48	3.32 *	3.06	24.90
0 (GROUND)	20.66 *	12.24	11.20	6.56	7.08	4.22	3.89 *	3.06	24.38
-5	21.32 *	11.83	10.87	6.28	6.92	4.07	5.01 *	3.35	22.75
-10	19.37 *	11.91	10.85	6.26			7.10	4.19	19.72
-15	14.23 *	12.39					9.49 *	6.95	14.43

Metric Unit: 1,000 kg

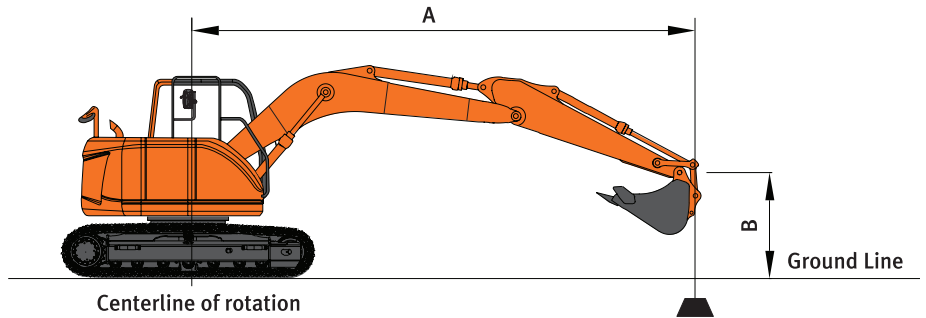
B (m)	2		3		4		5		6		7		MAX. REACH		
															A (m)
8													1.80 *	1.80 *	3.81
7							1.73 *	1.73 *					1.51 *	1.51 *	5.18
6							2.31 *	2.31 *	1.52 *	1.52 *			1.39 *	1.39 *	6.09
5							2.57 *	2.57 *	2.19 *	2.19 *			1.34 *	1.34 *	6.73
4					2.90 *	2.90 *	2.92 *	2.92 *	2.61 *	2.30	1.65 *	1.65 *	1.34 *	1.34 *	7.17
3			4.00 *	4.00 *	3.88 *	3.88 *	3.60 *	3.03	3.11 *	2.22	2.17 *	1.68	1.38 *	1.38 *	7.44
2			6.65 *	6.58	5.05 *	4.12	4.23 *	2.88	3.48	2.13	2.59 *	1.63	1.45 *	1.41	7.58
1			8.49 *	6.03	6.04 *	3.85	4.54	2.73	3.38	2.04	2.63	1.58	1.57 *	1.37	7.57
0 (GROUND)	4.72 *	4.72 *	9.55 *	5.70	6.35	3.64	4.40	2.60	3.29	1.96	2.58	1.53	1.76 *	1.39	7.43
-1	5.71 *	5.71 *	9.76 *	5.54	6.20	3.52	4.30	2.52	3.23	1.91	2.55	1.50	2.05 *	1.45	7.15
-2	7.04 *	7.04 *	9.67 *	5.51	6.14	3.47	4.25	2.48	3.21	1.88			2.53 *	1.60	6.70
-3	8.71 *	8.71 *	8.97 *	5.55	6.16	3.48	4.26	2.48	3.23	1.90			3.19	1.88	6.05
-4	10.82 *	10.82 *	7.67 *	5.66	5.80 *	3.55	4.33	2.55					4.18	2.46	5.12
-5			5.41 *	5.41 *									4.32 *	4.21	3.69

- LOAD POINT IS THE END OF THE ARM.
- CAPACITIES MARKED WITH AN ASTERISK (\*) ARE LIMITED BY HYDRAULIC CAPACITIES.
- LIFT CAPACITIES SHOWN DO NOT EXCEED 75% OF MINIMUM TIPPING LOADS OR 87% OF HYDRAULIC CAPACITIES.

Rating Over Front  
 Rating Over Side or 360 degree

# DX140LCR

**Boom: 15'1" (4,600 mm)**  
**Arm: 9'10" (3,000 mm)**  
**Bucket: SAE 0.51 yd<sup>3</sup> (0.39 m<sup>3</sup>)**  
**Shoe: 27.6" (700 mm)**



Feet Unit: 1,000 lb

B (ft)	10		15		20		MAX. REACH		
									A (ft)
25							3.64 *	3.64 *	14.50
20			5.32 *	5.32 *			3.07 *	3.07 *	19.77
15			5.99 *	5.99 *	5.11 *	5.03	2.94 *	2.94 *	22.76
10	8.52 *	8.52 *	8.12 *	7.84	6.66 *	4.82	3.03 *	3.03 *	24.39
5	16.44 *	13.62	10.76 *	7.17	7.43	4.52	3.32 *	3.09	24.90
0 (GROUND)	20.66 *	12.34	11.29	6.62	7.14	4.26	3.89 *	3.09	24.38
-5	21.32 *	11.93	10.96	6.33	6.98	4.11	5.01 *	3.38	22.75
-10	19.37 *	12.01	10.94	6.31			7.17	4.23	19.72
-15	14.23 *	12.49					9.49 *	7.01	14.43

Metric Unit: 1,000 kg

B (m)	2		3		4		5		6		7		MAX. REACH		
															A (m)
8													1.80 *	1.80 *	3.81
7							1.73 *	1.73 *					1.51 *	1.51 *	5.18
6							2.31 *	2.31 *	1.52 *	1.52 *			1.39 *	1.39 *	6.09
5							2.57 *	2.57 *	2.19 *	2.19 *			1.34 *	1.34 *	6.73
4					2.90 *	2.90 *	2.92 *	2.92 *	2.61 *	2.32	1.65 *	1.65 *	1.34 *	1.34 *	7.17
3			4.00 *	4.00 *	3.88 *	3.88 *	3.60 *	3.06	3.11 *	2.24	2.17 *	1.70	1.38 *	1.38 *	7.44
2			6.65 *	6.62	5.05 *	4.15	4.23 *	2.90	3.51	2.15	2.59 *	1.65	1.45 *	1.42	7.58
1			8.49 *	6.08	6.04 *	3.88	4.57	2.75	3.41	2.06	2.66	1.59	1.57 *	1.39	7.57
0 (GROUND)	4.72 *	4.72 *	9.55 *	5.74	6.40	3.67	4.43	2.62	3.32	1.98	2.61	1.55	1.76 *	1.40	7.43
-1	5.71 *	5.71 *	9.76 *	5.59	6.25	3.55	4.34	2.54	3.26	1.93	2.58	1.52	2.05 *	1.47	7.15
-2	7.04 *	7.04 *	9.67 *	5.55	6.19	3.50	4.29	2.50	3.24	1.90			2.53 *	1.62	6.70
-3	8.71 *	8.71 *	8.97 *	5.59	6.21	3.51	4.30	2.50	3.25	1.92			3.22	1.90	6.05
-4	10.82 *	10.82 *	7.67 *	5.71	5.80 *	3.58	4.37	2.57					4.21	2.48	5.12
-5			5.41 *	5.41 *									4.32 *	4.25	3.69

- LOAD POINT IS THE END OF THE ARM.
- CAPACITIES MARKED WITH AN ASTERISK (\*) ARE LIMITED BY HYDRAULIC CAPACITIES.
- LIFT CAPACITIES SHOWN DO NOT EXCEED 75% OF MINIMUM TIPPING LOADS OR 87% OF HYDRAULIC CAPACITIES.

Rating Over Front  
 Rating Over Side or 360 degree







BRO-DX140LCR-TD (8/11)

Kn-3M-811-26504-1-F

For more information visit [www.doosanequipment.com](http://www.doosanequipment.com)



Doosan® is a registered trademark of Doosan Infracore Co., Ltd. in the United States.  
© 2011 Doosan Infracore Construction Equipment America. All rights reserved.