

Submersible Dewatering Pump

UC & UCF Series

A Large Range to Suit Your Requirement

1. Discharge Dia. : 50~200mm
2. Total Head : 10~35m
3. Capacity : 0.2~4.0m³/min.
4. Motor Output : 3.7~22kW

*Robust,
Compact,
Dependable!*



Sakuragawa will provide you with comfortable environment.

SAKURAGAWA

Available as two related series of submersible dewatering pumps.

The UC series is a light weight version manufactured from corrosion resistant aluminium alloy. The UCF series has selected from iron castings, providing a more robust, heavy duty unit. Performance data is identical for both series.

Motor Protection

An "Auto-Cut" recycling thermal protector is embedded at the neutral point of the motor winding circuit to protect against thermal overload (Other than 200 to 230 volt units above 19kW are not fitted with "Auto-Cut"). Original switch boxes for 400 volt class motors are available at extra cost.

Motor

A high efficiency motor with high torque and class B rated insulation is a feature of the range. Maximum water temperature is 40 Deg. C. For higher operating temperatures, consult distributor.

Sacrificial Anode

To decrease the risk of galvanic corrosion, each model is provided with aluminium alloy anode. For severely corrosive service conditions such as sea water, consult distributor.

Motor Cooling

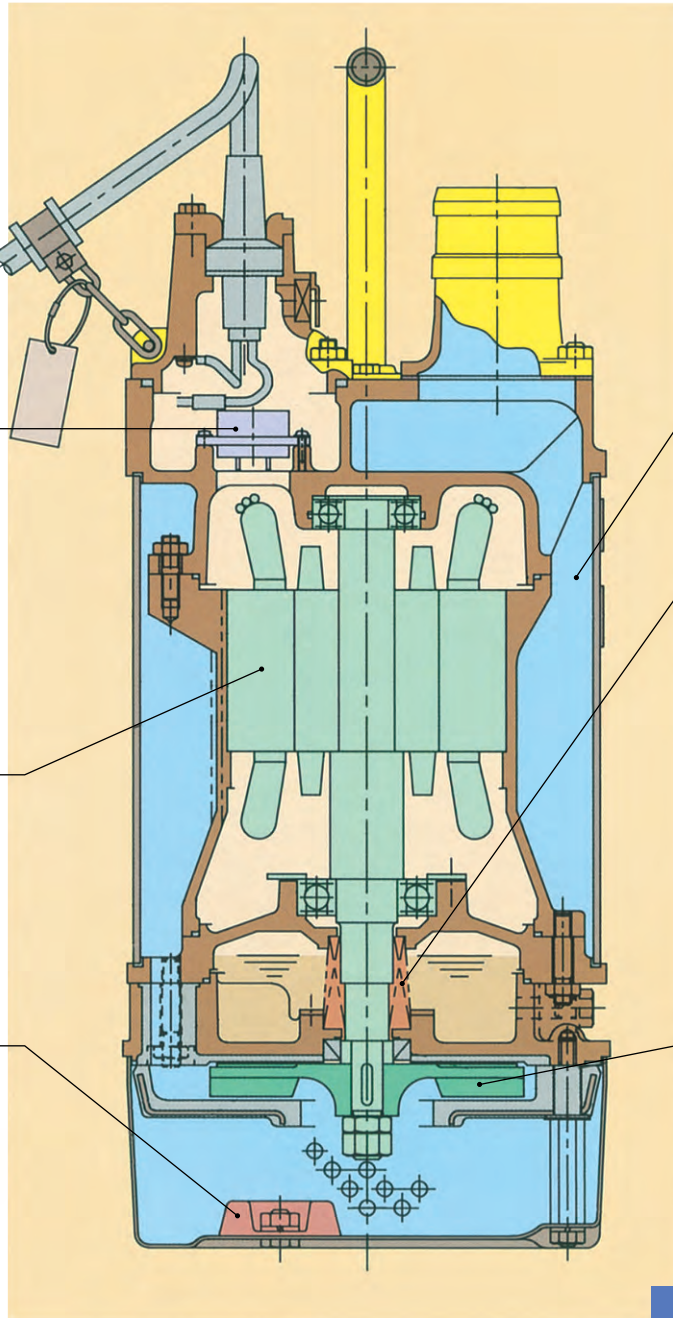
Water jacketed slim line cylindrical design provides efficient motor cooling by circulation of pumped water.

Shaft Seal

A new design pressure resistant Mechanical Seal (980kpa, 142psi) is incorporated. This twin type seal is cooled and lubricated in an oil bath which guarantees reliable sealing and service for long durations of heavy duty use. The seal is effective to 70 meter submergence, however, for normal operation 30 meter maximum submergence is recommended. For greater than 30 meter submergence or for sea water or brackish water operation, consult distributor.

Durability

The impeller is made from high chrome alloy (except UC/UCF-2256 and 2306) and is precisely balanced. For resistance to abrasive particles most models feature rubber coated casing and casing cover.



Simple and Economical

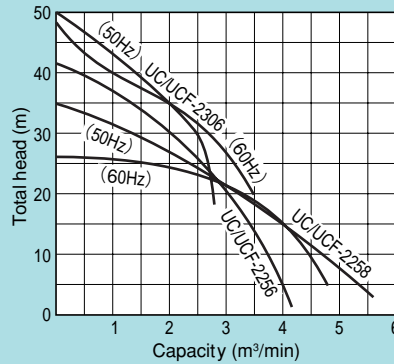
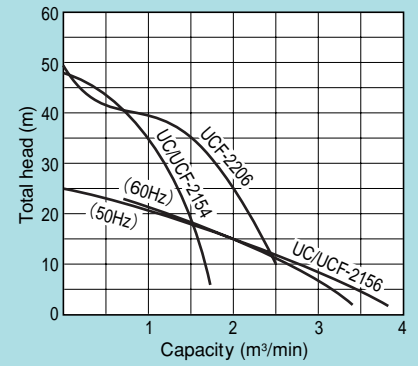
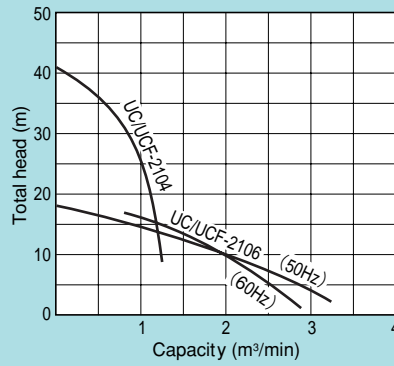
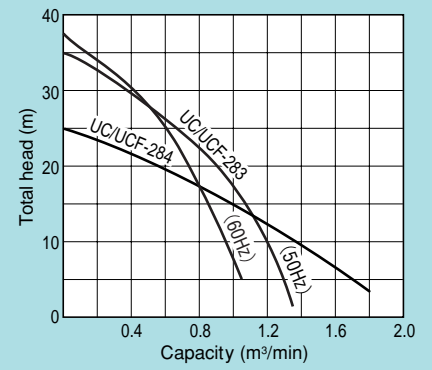
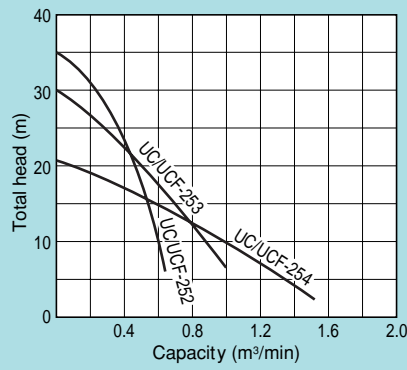
Common and interchangeable parts between UC, UCF, UL and ULF series simplifies fleet servicing and reduces costs.

APPLICATIONS

Civil engineering and construction,
Tunnel and caisson dewatering,
Narrow trenches,
Manholes,
Pit and sump dewatering,
Irrigation, etc.



PERFORMANCE CURVES



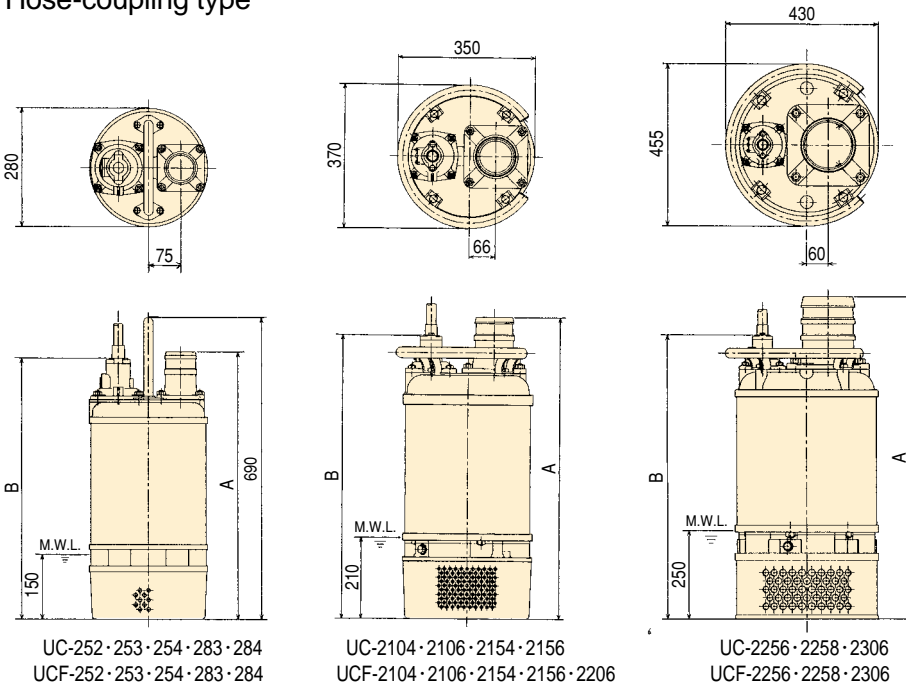
STANDARD SPECIFICATIONS

MODELS	DISCHARGE DIA		MOTOR OUTPUT		TOTAL HEAD	CAPACITY	CABLE LENGTH	WEIGHT WITHOUT CABLE
	mm	in	kW	HP	m	m³/min	m	kg
UC-252	50	2	3.7	5	30	0.2	10	51
UCF-252								89
UC-253	80	3	3.7	5	20	0.5	10	49
UCF-253								82
UC-254	100	4	3.7	5	10	1	10	49
UCF-254								84
UC-283	80	3	5.5	7.5	28	0.5	10	49
UCF-283								82
UC-284	100	4	5.5	7.5	15	1	10	49
UCF-284								84
UC-2104	100	4	7.5	10	27	1	10	82
UCF-2104								118
UC-2106	150	6	7.5	10	10	2	10	79
UCF-2106								113
UC-2154	100	4	11	15	35	1	10	87
UCF-2154								123
UC-2156	150	6	11	15	15	2	10	84
UCF-2156								118
UCF-2206	150	6	15	20	35(25)*	1.5(2)*	10	139
UC-2256	150	6	19	25	30	2	10	167
UCF-2256								231
UC-2258	200	8	19	25	15	4	10	157
UCF-2258								224
UC-2306	150	6	22	30	35	2	10	170
UCF-2306								231

*Figures in parentheses refer at 60Hz. • Specifications are subject to change without notice.

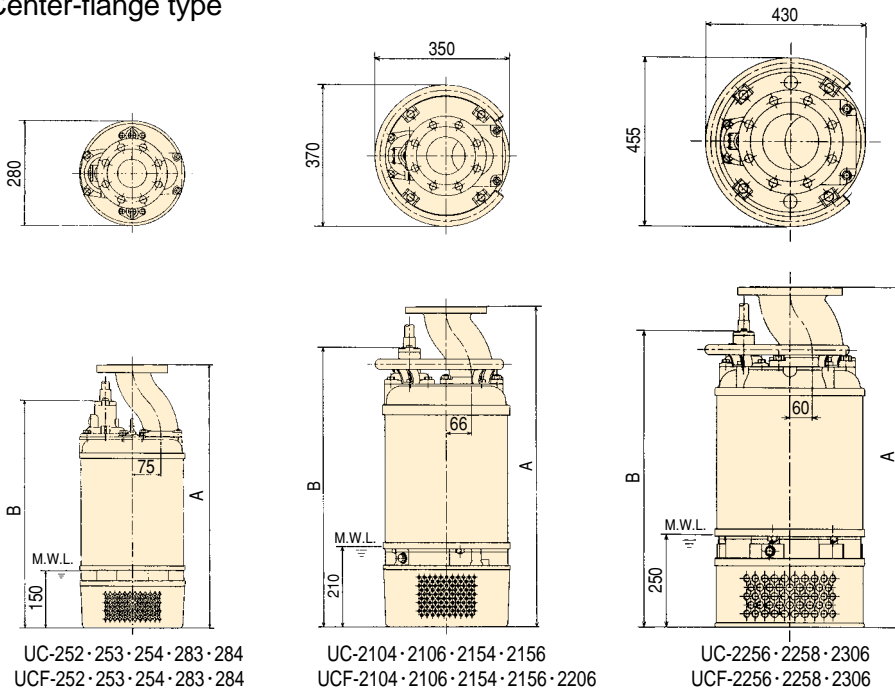
DIMENSIONS

Hose-coupling type




Model	A	B
UC/UCF-252	585	595
UC/UCF-253	610	595
UC/UCF-254	610	595
UC/UCF-283	610	595
UC/UCF-284	610	595
UC/UCF-2104	775	725
UC/UCF-2106	825	725
UC/UCF-2154	740	690
UC/UCF-2156	790	690
UCF-2206	840	740
UC/UCF-2256	900	795
UC/UCF-2258	930	795
UC/UCF-2306	900	795

Center-flange type



Model	A	B
UC/UCF-252	680	595
UC/UCF-253	690	595
UC/UCF-254	700	595
UC/UCF-283	690	595
UC/UCF-284	700	595
UC/UCF-2104	835	725
UC/UCF-2106	860	725
UC/UCF-2154	800	690
UC/UCF-2156	825	690
UCF-2206	875	740
UC/UCF-2256	910	795
UC/UCF-2258	950	795
UC/UCF-2306	910	795

- No. of holes of center-flange
 2 inch 4
 3 to 6 inches 8
 8 inch 12

 For safety operation, please be sure to read through our instruction manual before using the pumps.

SAKURAGAWA PUMP
MFG.CO.,LTD.

HEAD OFFICE : 1-2-11, ITSUKAICHI, IBARAKI, OSAKA 567-8525, JAPAN.
 TEL : 81-72-645-5254 FAX : 81-72-645-5253

<http://www.sakura-p.net>