

GENERAL PURPOSE ENGINE

GX35T

PARTS CATALOGUE

2



GX35T

FOREWORD INDEX

1

ENGINE GROUP

2

PART NUMBER INDEX

3

PART NAME INDEX

4

Instruction for use of parts catalogue

- **This parts catalogue was prepared based on the latest information available as of October 10, 2011.**
- See the parts catalogue news for any revision that is made after October 10, 2011.
- **Always specify the part number when ordering a part.**
- Check the model, type, serial numbers, color, maker, and the size as needed before ordering a part.
- Note that the illustrations (part drawings) can differ from the actual parts in shape. They are given just to help you to refer to the parts.
- **When modifications or additions to this parts catalogue are made, a revised edition will be issued at an appropriate time, with successively progressing revision numbers on the cover. We recommend obtaining such revisions in order to keep your parts catalogue up-to-date at all times. To check whether a parts catalogue revision has been issued, please contact your Honda distributor.**

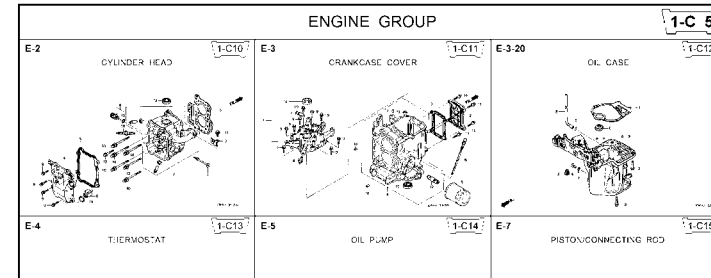
Initial version issue date **September 20, 2005**
Honda Motor Co., Ltd.

CONTENTS

| | Page | Address No. | |
|---|------|-------------|----------|
| ● Instruction for use of parts catalogue | 1 | B 1 | 1 |
| ● How to refer to the part information | 2 | B 2 | |
| ● Part catalogue structure | 3 | B 3 | |
| ● When the parts were revised..... | 4 | B 4 | |
| ● Abbreviations used in the parts catalogue..... | 4 | B 4 | |
| ● How to check the part block and serial numbers..... | 5 | B 5 | |
| ● Models, parts catalogue codes and applicable serial numbers | 6 | B 6 | |
| ● Features of each type..... | 8 | B 8 | |
| ● Fuel hose, general purpose hoses and vinyl hose..... | 9 | B 9 | |
| ● FLAT RATE SERVICE TIME | 10 | B10 | |
| ● Illustrated index | 15 | B15 | |
| ● ENGINE GROUP..... | 17 | C 1 | 2 |
| ● PART NO. INDEX..... | 34 | E 1 | 3 |
| ● PART NAME INDEX..... | 36 | F 1 | 4 |

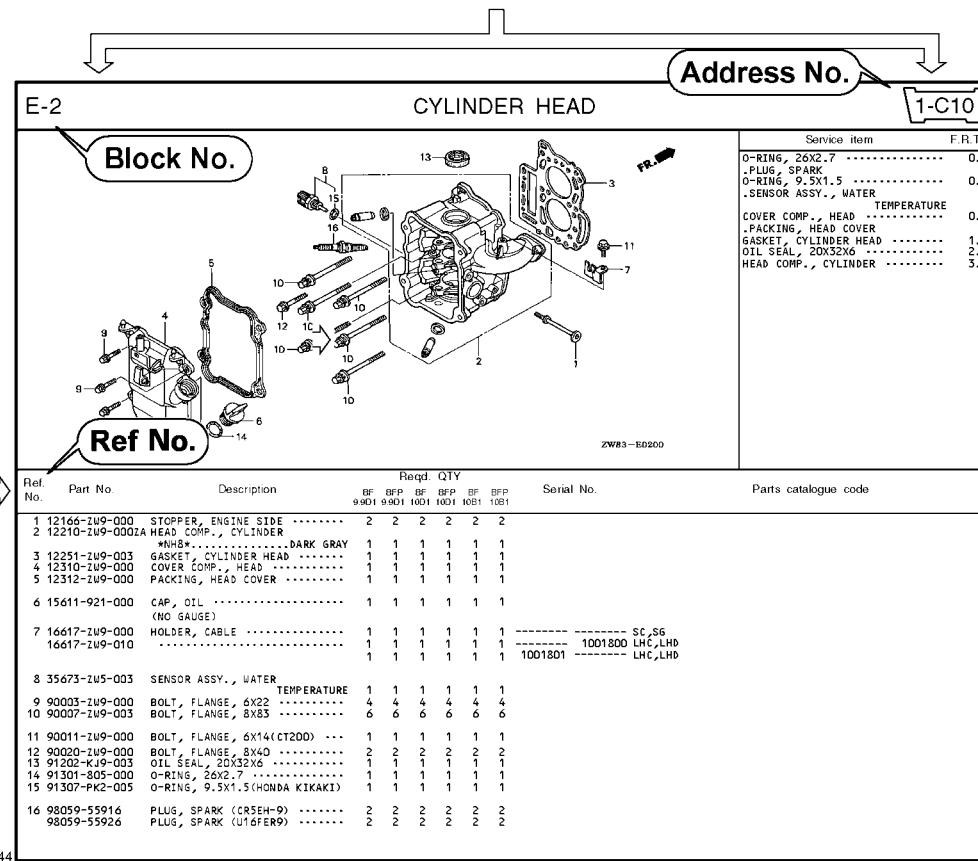
How to refer to the part information

A Reference with "Illustrated index"



B Reference with "Part number index"

| PART NO. INDEX | | | | | |
|-----------------|---------|------|------|---------------|--------------|
| Part Number | Address | Page | Ref. | Part Number | Address Page |
| 06000 | | | | 15212-ZW9-000 | 1-C14 3C |
| 06316-ZW9-000 | 1-69 | 88 | 1 | 15220-ZW9-003 | 1-C14 3C |
| 11000 | | | | 15332-ZW9-000 | 1-E8 55 |
| 11300-ZW9-405 | 1-C11 | 27 | 1 | 15332-ZW9-A30 | 1-E11 5E |
| 11300-ZW9-406 | 1-C11 | 27 | 1 | 15400-PFB-004 | 1-C11 27 |
| 11340-ZW9-000 | 1-C11 | 27 | 2 | 15422-ZW9-000 | 1-C14 3C |
| 11342-ZW9-000 | 1-C11 | 27 | 3 | 15473-881-000 | 1-C14 3C |
| 11381-ZW9-003 | 1-C12 | 28 | 1 | 15474-ZW9-000 | 1-C14 3C |
| | | | | 15611-921-000 | 1-C10 2E |
| | | | | 15655-ZW9-000 | 1-C11 27 |
| | | | | 16000 | |
| 12000 | | | | 16010-ZV4-005 | 1-D4 3E |
| 12000-ZW9-405ZA | 1-C11 | 27 | 4 | 16011-ZV4-005 | 1-D4 3E |
| 12155-ZV4-A00 | 1-C13 | 29 | 1 | 16013-ZW9-003 | 1-D4 3E |
| 12166-ZW9-000 | 1-C10 | 26 | 1 | 16016-ZW9-003 | 1-D4 3E |
| 12209-GB4-681 | 1-C16 | 32 | 1 | 16016-ZW9-721 | 1-D4 3E |
| 12210-ZW9-405ZA | 1-C10 | 26 | 2 | 16023-ZW9-003 | 1-D4 3E |
| 12216-ZE2-300 | 1-E8 | 55 | 1 | 16024-ZV4-650 | 1-D4 3E |
| | 1-E11 | 58 | 1 | 16028-ZV4-650 | 1-D4 3E |

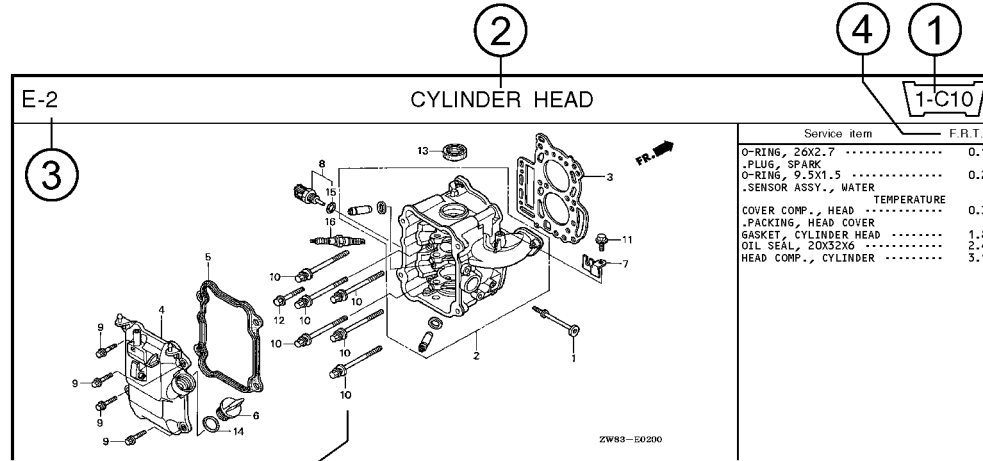


C Reference with "Part name index"

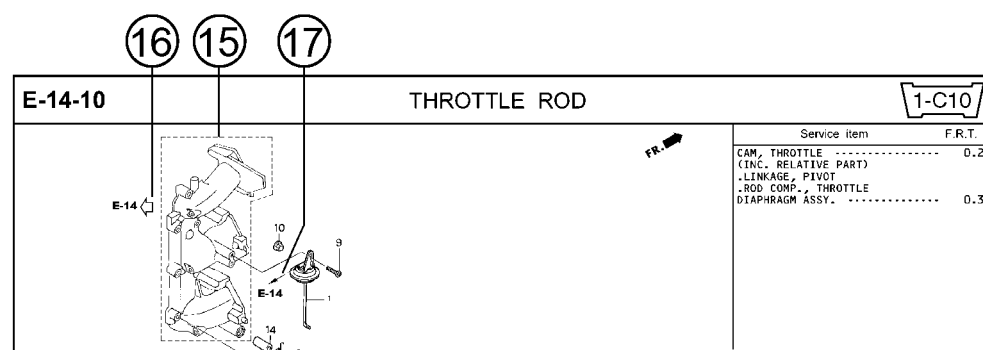
| PART NAME INDEX | | | | |
|-------------------------|---------|------|------|-------|
| Part name | Address | Page | Ref. | |
| [A] | | | | |
| ABSORBER, FUEL | 1-E15 | 62 | 5 | BOLT, |
| ARMATURE COMP. | 1-D11 | 43 | 7 | BOLT, |
| ARM COMP., LINK JOINT | 1-G6 | 85 | 18 | BOLT, |
| ARM COMP., SHIFT LINK | 1-G6 | 85 | 14 | BOLT, |
| ARM COMP., TILT | 1-F15 | 79 | 20 | |
| ARM, FUEL PUMP ROCKER | 1-C16 | 32 | 4 | |
| ARM, REVERSE LOCK | 1-F15 | 79 | 18 | |
| ARM, SHIFT LINK | 1-F11 | 74 | 7 | |
| ARM, STOPPER | 1-D1 | 33 | 12 | BOLT, |
| ARM, THROTTLE REMOTE | 1-F11 | 74 | 6 | |
| ARM, VALVE ROCKER | 1-C16 | 32 | 3 | |
| [B] | | | | |
| BAG, TOOL, 160MM | 1-G5 | 84 | 10 | |
| BAND | 1-G6 | 86 | 37 | |
| BAND B1, WIRE | 1-F6 | 69 | 1 | |
| BAND, CORD | 1-F3 | 67 | 18 | BOLT, |
| BAND, TUBE CLIP, 11MM | 1-E15 | 63 | 20 | |
| BAND, TUBE CLIP, 12.5MM | 1-E15 | 63 | 19 | BOLT, |

Page No.

Part catalogue structure



| Ref. No. | Part No. | Description | Reqd. QTY | | | | | | Serial No. | Parts catalogue code |
|----------|-----------------|---|-----------|-----------|---------|----------|---------|----------|-----------------|----------------------|
| | | | BF 9/9D1 | BFP 9/9D1 | BF 10D1 | BFP 10D1 | BF 10B1 | BFP 10B1 | | |
| 1 | 12166-zw9-000 | STOPPER, ENGINE SIDE | 2 | 2 | 2 | 2 | 2 | 2 | | |
| 2 | 12210-zw9-000ZA | HEAD COMP., CYLINDER *NHS* DARK GRAY | 1 | 1 | 1 | 1 | 1 | 1 | | |
| 3 | 12251-zw9-003 | GASKET, CYLINDER HEAD | 1 | 1 | 1 | 1 | 1 | 1 | | |
| 4 | 12310-zw9-000 | COVER COMP., HEAD | 1 | 1 | 1 | 1 | 1 | 1 | | |
| 5 | 12312-zw9-000 | PACKING, HEAD COVER | 1 | 1 | 1 | 1 | 1 | 1 | | |
| 6 | 15611-921-000 | CAP, OIL (NO GAUGE) | 1 | 1 | 1 | 1 | 1 | 1 | | |
| 7 | 16617-zw9-000 | HOLDER, CABLE | 1 | 1 | 1 | 1 | 1 | 1 | SC,SG | |
| | 16617-zw9-010 | | 1 | 1 | 1 | 1 | 1 | 1 | 1001800 LHC,LHD | |



- ① **Address number**
 - Address No. is provided (in place of the page No.) to help you refer to the part with the part No. or part name.
- ② **Block title** ③ **Block number**
- ④ **Service item/Flat rate time**
- ⑤ **Reference number**
 - Title number marked with the parenthesis or parentheses indicates that it continues from the previous page.
- ⑥ **Part number** ⑦ **Honda color code**
- ⑧ **Description**
- ⑨ **Assemblies**
 - Sections framed with broken lines in the exploded view drawings are available as complete assemblies. (Their individual parts can also be obtained.)
- ⑩ **Color description**
- ⑪ **Note**
 - Notes are shown with the parentheses in the part name column.
- ⑫ **Required quantity**
 - Required QTY shown in the parenthesis or parentheses indicates the optional part.
 - Required QTY marked with "N" Indicates the optional part that should be selected as needed.
 - Required QTY indicates the number of the part used in the block.
- ⑬ **Serial number**
- ⑭ **Type**
 - When the type column is blank, it indicates that the part is applicable to all types.
 - As the type of the actual unit may differ from the "parts catalogue, type" please refer to "Models, types and applicable serial numbers" for confirmation.
- ⑮
 - Parts enclosed within a dotted line are covered in a different block.
- ⑯
 - A hollow arrow indicates the block No. for the parts enclosed within a dotted line .
- ⑰
 - A solid arrow indicates the block No. the part in question is connected to.

When the parts were revised

Abbreviations used in the parts catalogue

1



Be sure to check the serial number!!



| Ref. No. | Part No. | Description | Reqd. QTY | | | | | | Serial No. |
|----------|-----------------|--|-----------|-----------|---------|----------|---------|----------|--------------------------------|
| | | | BF 99D1 | BFP 9.9D1 | BF 10D1 | BFP 10D1 | BF 10B1 | BFP 10B1 | |
| 1 | 12166-ZW9-000 | STOPPER, ENGINE SIDE | 2 | 2 | 2 | 2 | 2 | 2 | |
| 2 | 12210-ZW9-000ZA | HEAD COMP., CYLINDER *NHS*.....DARK GRAY | 1 | 1 | 1 | 1 | 1 | 1 | |
| 3 | 12251-ZW9-003 | GASKET, CYLINDER HEAD | 1 | 1 | 1 | 1 | 1 | 1 | |
| 4 | 12310-ZW9-000 | COVER COMP., HEAD | 1 | 1 | 1 | 1 | 1 | 1 | |
| 5 | 12312-ZW9-000 | PACKING, HEAD COVER | 1 | 1 | 1 | 1 | 1 | 1 | |
| 6 | 15611-921-000 | CAP, OIL (NO GAUGE) | 1 | 1 | 1 | 1 | 1 | 1 | |
| 7 | 16617-ZW9-000 | HOLDER, CABLE (###)..... | 1 | 1 | 1 | 1 | 1 | 1 | SC, SG LHC, LHD LHC, LHD |
| | 16617-ZW9-010 | | 1 | 1 | 1 | 1 | 1 | 1 | |

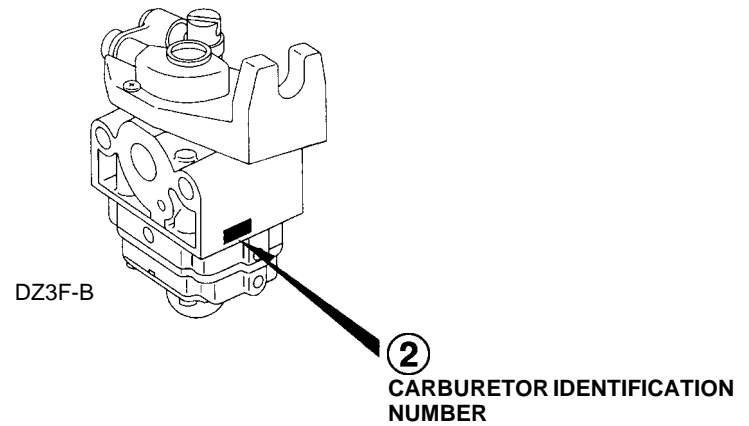
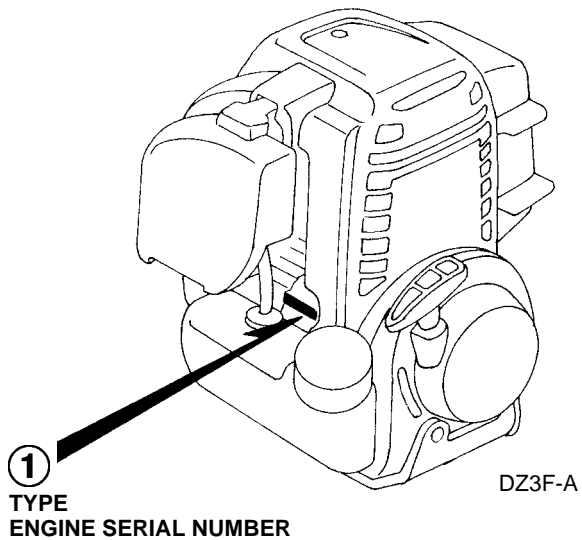
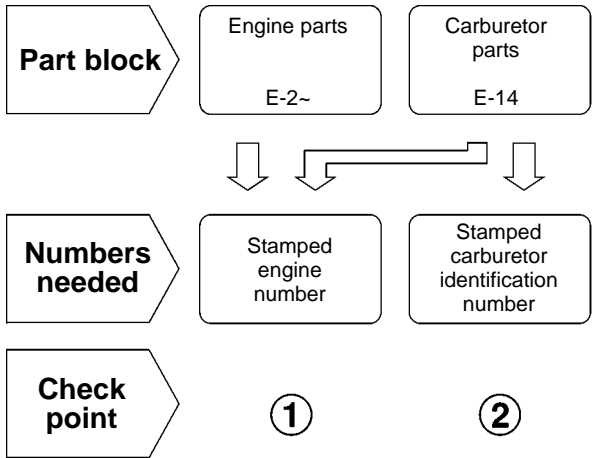
The number has been used from the initial model without revision. When shown at the left side, it is applicable to the models of No.1001801 and the subsequent numbers. When shown at the right side, it is applicable to the models up to No.1001800.

• The parts listed with "###" at the end of the parts name have limited supply period (parts not for sale).

• The following abbreviations are used in the parts name column.

- | | |
|--|-----------------------------|
| A Ampere | FR.Front |
| A.C. Alternating current | IN.Inlet |
| ASSY. Assembly | L (100L) .Link (100 Links) |
| AT. Automatic transmission | L.Left |
| C.D.I. Capacitive discharge ignition | MMMillimeter |
| COMP. ... Complete | MT.Manual Transmission |
| D.C. Direct current | P.T.O.Power take off |
| EX. Exhaust | R.Right |
| G.F.C.I ... Ground fault circuit interruptor | RR.Rear |
| HEX. Hexagonal | STD.Standard |
| H.S.T. Hydrostatic transmission | T (22T) ...Tooth (22 Teeth) |
| | VVolt |
| | WWatt |

How to check the part block and serial numbers



Models, parts catalogue codes and applicable serial numbers

- Models, parts catalogue codes and applicable serial Nos. given in this parts catalogue can be identified as follows.

| Model | Type | Parts catalogue type | Applicable engine serial No. | Applicable carburetor identification No. |
|-------|------|----------------------|------------------------------|--|
| GX35T | SAMS | SAMS | GCAMT-1000001~ | WYB 23 |
| | SATM | SATM | | WYB 15B/D |
| | SAU | SAU | | WYB 23 |
| | SAUT | SAUT | | WYB 14B |
| | SAW | SAW | | |
| | SD | SD | | |
| | SD2 | SD2 | | |
| | SD2S | SD2S | | |
| | SD2T | SD2T | | |
| | SDH | SDH | | WYB 15B/D |
| | SDL | SDL | | WYB 14B |
| | SDS | SDS | | |

| Model | Type | Parts catalogue type | Applicable engine serial No. | Applicable carburetor identification No. |
|-------|------|----------------------|------------------------------|--|
| GX35T | SDT | SDT | GCAMT-1000001~ | WYB 14B |
| | SJ | SJ | | |
| | SJS | SJS | | |
| | SJT | SJT | | |
| | SK | SK | | |
| | SKS | SKS | | |
| | SMG | SMG | | WYB 25/WYB 25A |
| | SUT | SUT | | WYB 15B/D |
| | SGT3 | SGT3 | | WYB 14D |
| | SGT9 | SGT9 | | |
| | ST3E | ST3E | | |
| | ST4 | ST4 | | |
| | T4 | T4 | | WYB 22A |

* Of carburetor identification numbers, only the portions underlined in the example below are used for registration.

WYB 23 KC ナ

Features of each type

- See the following table for the features of each type. (Items in brackets are optional)

| Specifications | Model | GX35T | | | | | | | | | | | |
|----------------|-------|-------|------|-----|------|-----|----|-----|------|------|-----|-----|-----|
| | Type | SAMS | SATM | SAU | SAUT | SAW | SD | SD2 | SD2S | SD2T | SDH | SDL | SDS |
| Tank guard | | | | | ● | | | | | ● | | | |

| Specifications | Model | GX35T | | | | | | | | | | | | |
|----------------|-------|-------|----|-----|-----|----|-----|-----|-----|------|------|------|-----|----|
| | Type | SDT | SJ | SJS | SJT | SK | SKS | SMG | SUT | SGT3 | SGT9 | ST3E | ST4 | T4 |
| Tank guard | | ● | | | ● | | | | ● | ● | ● | ● | ● | |

1

Fuel hose, general purpose hoses and vinyl hose

- The standard part fuel hose, general purpose hose and vinyl hose may be substituted by the coiled bulk part.
- When ordering the standard part fuel hose, general purpose hose and vinyl hose use the bulk part number written in the parts catalog in brackets () underneath the part name.
- When exchanging the hose, cut and use at the specified length as mentioned in the part name.
(For the method of cutting the bulk part, and method of filling out orders etc., please refer to the instructions issued with the bulk part.)

Bulk part number of fuel hose, general purpose hose and vinyl hose.

Example: 9 5 0 0 1 - 7 5 0 0 1 - 5 0 M

Bulk part number:
Refers to the bulk part.

Marking code (fuel hose and general purpose hose)

Change code (Vinyl hose)

Indicates number mark or change sequence, however, the code for the bulk part must be strictly 0 (zero).

Types of code:

- Fuel hose
 - 2: Red outside braid (3 mm inside dia. only)
 - 5: Black inside braid
 - 3: Red (3 mm inside dia. only)
 - 4: Ash gray with red stripe (3 mm inside dia. only)
 - 6: Black

- General hose
 - 1: Ash gray
 - 2: Ash gray
 - 3: Black
 - 5: Black

- Vinyl hose
 - 1: Clear
 - 2: Black
 - 3: Light red
 - 6: Light red
 - 7: Pale black

Lengths:

- 001: 1 m (standard)
 - 003: 3 m
 - 008: 8 m
- Application or specification of some parts is not settled.

I.D code: (fuel hose and general purpose hose)

- | | | | | |
|------------|--------------------|--------------------|-----------------------------|-----------------------------|
| 30: 3.0 mm | 50: 5.0 mm | 70: 7.0 mm | 11: 11 mm | 12: 12 (outside dia. 17) mm |
| 35: 3.5 mm | 55: 5.3 mm, 5.5 mm | 75: 7.3 mm, 7.5 mm | 91: 12 (outside dia. 15) mm | 14: 14 mm |
| 45: 4.5 mm | 65: 6.5 mm | 80: 8.0 mm | 92: 12 (outside dia. 16) mm | 17: 17 mm |

ID./OD. code: (vinyl hose)

- | | | | | |
|-------------------------|--------------------------|---------------------------|---------------------------|---------------------------|
| 01: ID. 2.9, OD. 6.8 mm | 12: ID. 5.0, OD. 7.0 mm | 21: ID. 8.0, OD. 9.0 mm | 37: ID. 11.0, OD. 15.0 mm | 50: ID. 16.0, OD. 19.0 mm |
| 03: ID. 3.0, OD. 6.0 mm | 10: ID. 5.0, OD. 8.0 mm | 23: ID. 8.0, OD. 12.0 mm | 38: ID. 12.0, OD. 13.0 mm | 55: ID. 17.5, OD. 20.5 mm |
| 05: ID. 3.5, OD. 6.5 mm | 11: ID. 5.0, OD. 9.0 mm | 25: ID. 9.0, OD. 11.0 mm | 39: ID. 12.0, OD. 14.0 mm | 60: ID. 22.0, OD. 27.0 mm |
| 07: ID. 4.0, OD. 7.0 mm | 14: ID. 6.0, OD. 9.0 mm | 27: ID. 9.0, OD. 13.0 mm | 40: ID. 12.0, OD. 16.0 mm | |
| 08: ID. 4.5, OD. 6.5 mm | 17: ID. 7.0, OD. 9.0 mm | 33: ID. 10.0, OD. 14.0 mm | 43: ID. 13.0, OD. 15.0 mm | |
| 09: ID. 4.5, OD. 8.0 mm | 19: ID. 7.0, OD. 11.0 mm | 36: ID. 11.0, OD. 13.0 mm | 45: ID. 14.0, OD. 18.0 mm | |

Hose type:

- 1: Fuel hose
- 3: Vinyl hose
- 5: General hose

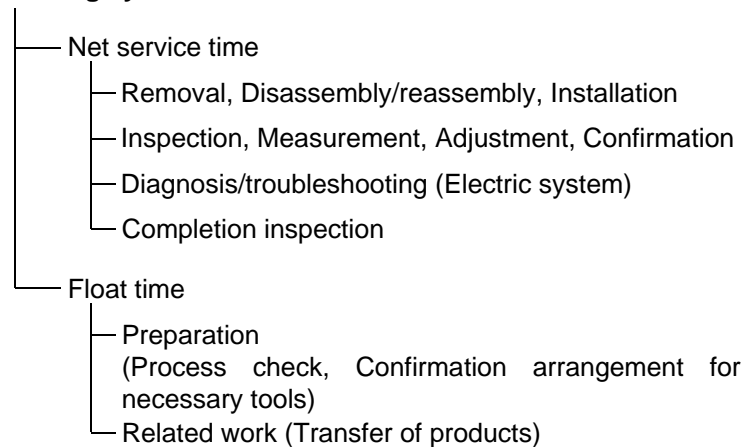
⊙ **CAUTION: It is DANGEROUS to confuse the fuel hose with the general purpose hose or vinyl hose.**

Never use a general purpose hose or vinyl hose in place of a fuel hose or vice versa. Always use the correct bulk part in the parts catalogue, according to the service manual or the instructions issued with the bulk part.

FLAT RATE SERVICE TIME

Flat rate service time (FRT) means the standard time required to service a product, which is listed in this manual to help the dealers control the actual working process and calculate the service charge by using it as a guide.

FRT setting system



* Float time is set by multiplying the net service time by a given coefficient.

Editorial style

The service items shown in the text are listed with the exchange work time for the repair sales parts as the subject. Other representative service items not using repair parts (removal/installation, adjustment, inspection/measuring, and other work) are listed collectively in the list in the preface, classified according to the work.

FRT setting standard

- Decimal system (in unit of 0.1) is adopted to set FRT as it is convenient to calculate the wage.
Example: (0.1) → 6 minutes, (0.2) → 12 minutes
[Labor cost per hour] x [FRT] = [Wage]
- FRT is set with a hand tool.
- Service items and FRT can be subject to change depending on development of tools and service equipment and improvement in service procedure.

Work procedure

- As the work procedure is set with the work time according to the method in the separate Service Manual, refer to this Manual as required.
- Work methods permitting servicing in the shortest time still permitting assurance of safe work and product warranty are used for the setting of service items not listed in the Service Manual.
- Work basically is to be performed by one person, and when two or more people are required, setting is done as the total time for the number of people.
- The set value for the technological level of the workers uses a person with three years of experience in the repair of Honda products as the standard.
- Special tools and service equipment used to set FRT are those specified or recommended in Service Manual.

Service item whose FRT is not presented

- Accessories and service parts that are not listed to use in this manual.
 - Locations with little aging deterioration or breakage during normal use.
 - Service work that can be finished by one touch.
 - Service work that is seldom done (i.e. extremely small causes of trouble and service frequency).
 - Products and parts whose location for installation differs according to its status of use and application.
- * When FRT is not presented, please calculate wages based on appropriate actual work time.

Operation not included of FRT

- Oil and coolant water draining, Waiting time for warming up operation and etc..
- Additional operation that involves removal/installation of standard exterior equipment.
- Indirect time spent for service by visiting the customer, trade-in, and delivery.
- Indirect time required for ordering and delivery of parts.
- Cost for grease, adhesive agent, etc. used for service work.

**Explanation of FRT by using an example
(The example may differ from the actual presented items)**

| Ref. No. | L.O.N. | (Relative ref. Number) Description | F.R.T. |
|----------|---------|---|--------|
| ① | 1111L1 | ④ (1, 3, 4, 7) VALVE, INTAKE4.1 | ② |
| ② | | • NOTE: OHV type ⑥ | ⑦ |
| ③ | 1111L1A | ⑤ One head (intake all) add1.4 | |
| | | • Includes: Engine removal and installation | |

- ① Reference No. of the illustration of part that shows location of the replacement work.
- ② FRT is an abbreviation of Flat Rate Time indicating the standard service time required for the replacement.
- ③ LON is an abbreviation of Labor Operation Number, and it is a classification of the service items by the work unit code.

The same operation code is used regardless of the models.

Standard operation is indicated with 6 digits code, and additional operation is indicated with 7 digits code.

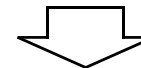
- ④ Indicating the intake valve replacement and FRT4.1.
- ⑤ Indicating FRT1.4 that will be added when additional operation (whole intake side of one cylinder head) is done in association with intake valve replacement.

- ⑥ Indicating work condition or application condition of the service item.
- ⑦ Indicating work contents that are included in the service item.
- ⑧ Indicating a reference No. whose operation and time are the same as FRT4.1 for the intake valve.

(The application range is limited to the service items without an LON setting within a same block.)

**How to refer to the service item by using the sample
(intake valve replacement)**

Open to the page of the block where the intake valve's spare part illustration is shown.



Look for the intake valve illustration, and refer to the service item and FRT that agree with the reference No.

Indication mark for the listing of service items that continues to the following page

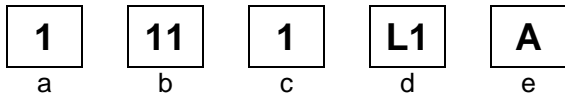
| Ref. No. | L.O.N. | (Relative ref. Number) Description | F.R.T. |
|----------|--------|---------------------------------------|--------|
| 2 | 1111L1 | VALVE, INTAKE | 4.1 |
| | . | . | . |
| | . | . | . |

+
Mark indicated at the last line.

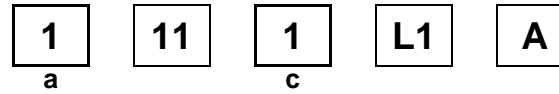
Indication of the block with no setting of FRT

| Ref. No. | L.O.N. | (Relative ref. Number) Description | F.R.T. |
|----------------------|--------|---------------------------------------|--------|
| NO INFORMATION | | | |

• LON code system



- a) Category code..... Engine
- b) Location/function code..... Engine upper
- c) Operation code..... Replace
- d) Operation sequence number (Unit code can be shown with alphabet)
..... Intake valve
(No regular rule of code)
- e) Additional code One head (intake all)
(No regular rule of code)



a) Category codes and classification

| Code | Category |
|------|----------------|
| 1 | Engine |
| 2 | Power drive |
| 3 | Fuel & Exhaust |
| 4 | Frame & Body |
| 5 | Steering |
| 6 | Electrical |
| 7 | Axle & Brake |
| 8 | Control system |
| 9 | - |
| 0 | Attachments |

c) Operation codes and classification

| Code | Operation category |
|------|---------------------------------------|
| 1 | Replace, Removal/Installation, Change |
| 2 | Overhaul |
| 3 | Adjust, Rotation |
| 4 | (Paint-related work: Top-coat) |
| 5 | Test, Inspect/diagnose, Measurement |
| 6 | (Overhaul-related work: Rebore) |
| 7 | (Overhaul-related work: Reseal) |
| 8 | (Resurface) |
| 9 | (Paint-related work: Refinish) |
| 0 | Repair, Cleaning, Air bleeding |

Major service items without using spare parts
 (2) Adjustment, (3) Inspection/Measurement,
 (4) Overhaul, (5) Other work

E: Engine, T: Transmission, D: Drive system,
 B: Body and related parts

(2) Adjustment

| | LON | DESCRIPTION | FRT |
|---|--------|--|-----|
| E | 1113A1 | VALVE CLEARANCE-ADJUSTMENT NOTE: For 1 product | 0.4 |
| | 3113A2 | CARBURETOR IDLE-ADJUSTMENT | 0.2 |

(3) Inspection, Measurement, Cleaning

| | LON | DESCRIPTION | FRT |
|---|--------|--|-----|
| E | 1105A0 | ENGINE OIL-INSPECTION | 0.1 |
| | 3100A0 | FUEL FILTER-CLEANING | 0.3 |
| | 3120A0 | AIR CLEANER-CLEANING INCLUDES: Air cleaner-inspection | 0.1 |
| | 3130A0 | SPARK ARRESTER-CLEANING INCLUDES: Spark arrester-inspection | 0.2 |
| | 6140A0 | SPARK PLUG-ADJUSTMENT/CLEANING INCLUDES: Spark plug check NOTE: For 1 product | 0.1 |

(4) Overhaul

Work condition: The required Measurements, inspections, adjustments, and cleaning/washing of each part are performed, including the main body removal/installation work and the replacement of defective parts.

| | LON | DESCRIPTION | FRT |
|---|--------|--|-----|
| E | 3112A0 | CARBURETOR-OVERHAUL INCLUDES: All necessary adjustment | 0.4 |

(5) Other work

| | LON | DESCRIPTION | FRT |
|---|--------|---|-----|
| E | 1101E1 | ENGINE OIL-CHANGE INCLUDES: Engine oil-inspection | 0.1 |

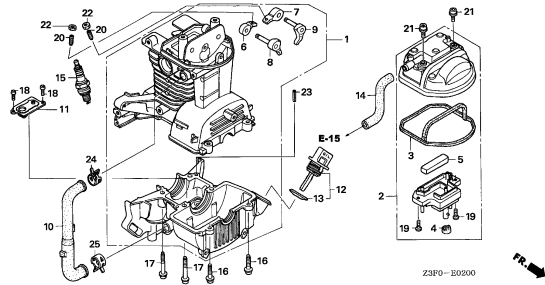
ENGINE GROUP

B15

E-2

CRANKCASE SET

C 1



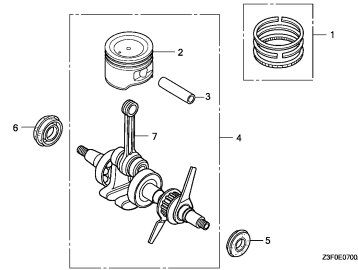
Z3FO-E0200



E-7

CRANKSHAFT/PISTON

C 3



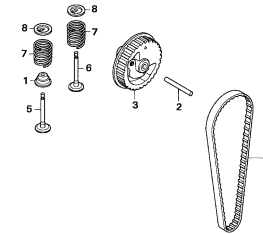
Z3FOE0700A



E-10

CAM PULLEY

C 4



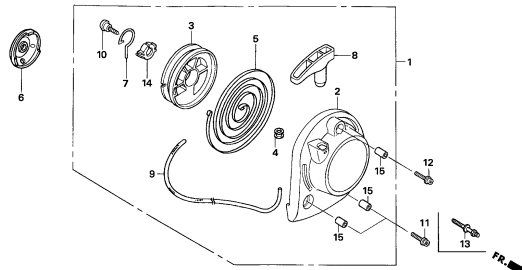
Z3FO-E1000



E-11

RECOIL STARTER

C 5



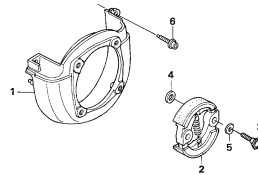
Z3FO-E1100



E-12

FAN COVER/CLUTCH

C 6



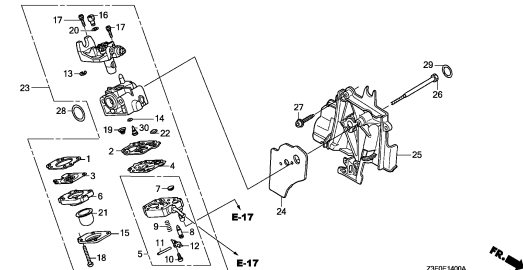
Z3FO-E1200



E-14

CARBURETOR

C 7



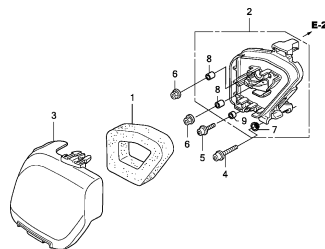
Z3FOE1400A



E-15

AIR CLEANER

C 9



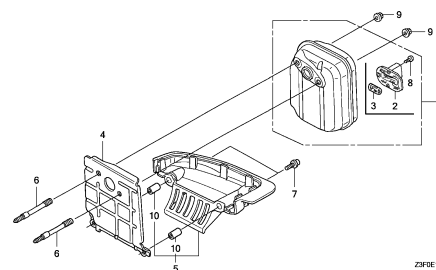
Z3FOE1500A



E-16

MUFFLER

C10



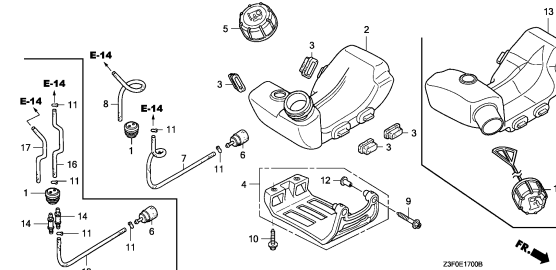
Z3FOE1600A



E-17

FUEL TANK

C11



Z3FOE1700B



2

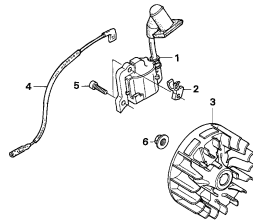
ENGINE GROUP

B16

E-19

FLYWHEEL

C12

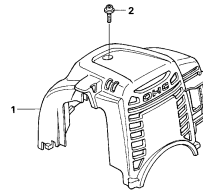


FR. →
Z3F0-E1900

E-27

TOP COVER

C13

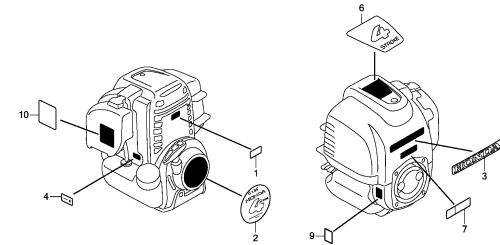


FR. →
Z3F0-E2700

E-28

LABEL

C14

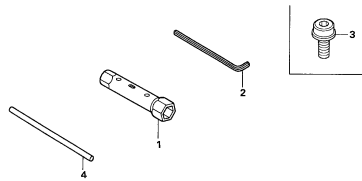


Z3F0E2800C

E-29

TOOL

C16

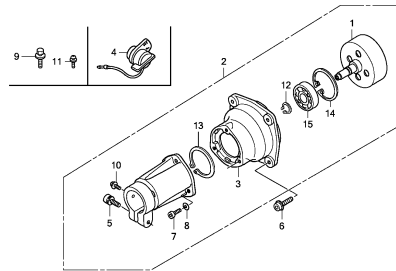


Z3F0-E2900

E-40

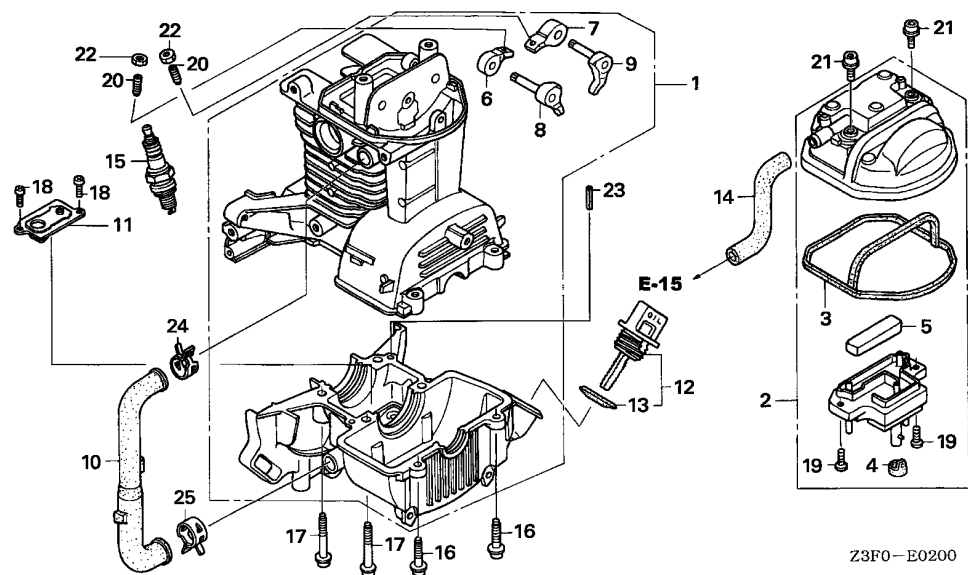
OTHER PARTS

D 1



Z3F0E4000

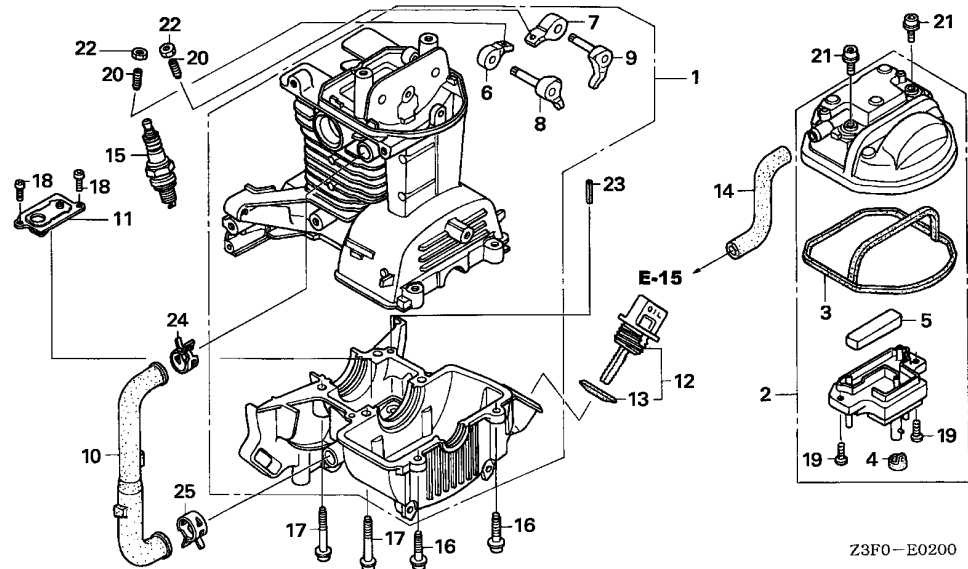
2



| Ref. No. | L.O.N. | (Relative ref. Number) Description | F.R.T. |
|----------|--------|---|--------|
| 1 | 1101B7 | CRANKCASE | 1.5 |
| 2 | 1111D5 | COVER, CYLINDER HEAD AND/OR PACKING | 0.1 |
| 6 | 1111A2 | ARM, ROCKER :INTAKE .INCLUDES: Valve clearance adjustment | 0.6 |
| 7 | 1111A1 | ARM, ROCKER :EXHAUST .INCLUDES: Valve clearance adjustment | 0.6 |
| 8 | 1111L9 | LIFTER, VALVE :INTAKE .INCLUDES: Valve clearance adjustment | 0.6 |
| 9 | 1111M0 | LIFTER, VALVE :EXHAUST .INCLUDES: Valve clearance adjustment | 0.6 |
| 10 | 1171A4 | TUBE, OIL | 0.3 |
| 11 | 1171A2 | PLATE, OIL OUTLET VALVE | 1.0 |
| 14 | 1111K5 | TUBE, BREATHER | 0.2 |
| 15 | 6141C1 | PLUG, SPARK .INCLUDES: Spark plug check | 0.1 |

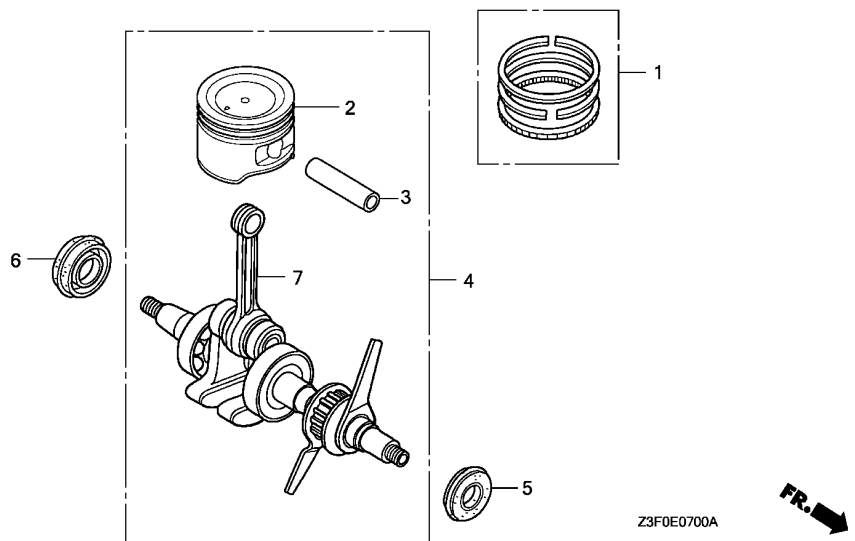
| Ref. No. | Part No. | Description | Reqd. QTY | | Serial No. | Parts catalogue code |
|----------|---------------|-------------------------------|-----------|----|------------|---|
| | | | GX | 35 | | |
| 1 | 10100-Z3F-405 | CRANKCASE SET | 1 | | | |
| 2 | 12310-Z0Z-000 | COVER, CYLINDER HEAD | 1 | | | |
| 3 | 12312-Z0Z-300 | SEAL, HEAD COVER | 1 | | | |
| 4 | 12314-Z0H-300 | GROMMET, HEAD COVER | 1 | | | |
| 5 | 12367-Z0H-000 | FILTER, BREATHER | 1 | | | |
| 6 | 14431-Z0H-003 | ARM, IN. VALVE ROCKER | 1 | | | |
| 7 | 14441-Z0H-003 | ARM, EX. VALVE ROCKER | 1 | | | |
| 8 | 14730-Z0Z-000 | LIFTER COMP., IN. VALVE | 1 | | | |
| 9 | 14740-Z0Z-000 | LIFTER COMP., EX. VALVE | 1 | | | |
| 10 | 15422-Z0Z-000 | TUBE, OIL | 1 | | | |
| 11 | 15510-Z3E-000 | PLATE ASSY., OIL OUTLET VALVE | 1 | | | |
| 12 | 15600-Z3F-000 | CAP ASSY., OIL FILLER | 1 | | | |
| 13 | 15625-Z0T-800 | PACKING, OIL FILLER CAP | 1 | | | |
| 14 | 15721-Z0Z-000 | TUBE, BREATHER | 1 | | | |
| 15 | 31914-Z0H-003 | PLUG, SPARK(CMR4H) (NGK) | (1) | | | SAMS,SATM,SAU,SAUT,SAW,SD,SD2,SD2S,SD2T,SDH,SDL,SDS,SDT,SGT3,SGT9,SK,SKS ST3E,ST4,SUT,T4 |
| | 31915-Z0H-003 | PLUG, SPARK(CMR5H) (NGK) | 1 | | | SAMS,SATM,SAU,SAUT,SAW,SD,SD2,SD2S,SD2T,SDH,SDL,SDS,SDT,SGT3,SGT9,SK,SKS ST3E,ST4,SUT,T4 |
| | 31916-Z0H-003 | PLUG, SPARK(CMR6H) (NGK) | (1) | | | SAMS,SATM,SAU,SAUT,SAW,SD,SD2,SD2S,SD2T,SDH,SDL,SDS,SDT,SGT3,SGT9,SK,SKS ST3E,ST4,SUT,T4 |
| | 31914-Z0H-801 | PLUG, SPARK(CM4H) (NGK) | (1) | | | SJ,SJS,SJT,SMG |
| | 31915-Z0H-801 | PLUG, SPARK(CM5H) (NGK) | 1 | | | SJ,SJS,SJT,SMG |
| | 31916-Z0H-801 | PLUG, SPARK(CM6H) (NGK) | (1) | | | SJ,SJS,SJT,SMG |
| 16 | 90009-Z0H-003 | BOLT, SOCKET, 5X20 | 2 | | | |
| 17 | 90010-Z0Z-003 | BOLT, SOCKET, 5X32 | 4 | | | |
| 18 | 90013-Z3E-003 | SCREW, PAN, 4X8 | 2 | | | SAMS,SAW,SD2,SD2S,SD2T,SDH,SDL,SGT3,SGT9,SK,SKS,ST3E,ST4,T4 |





2

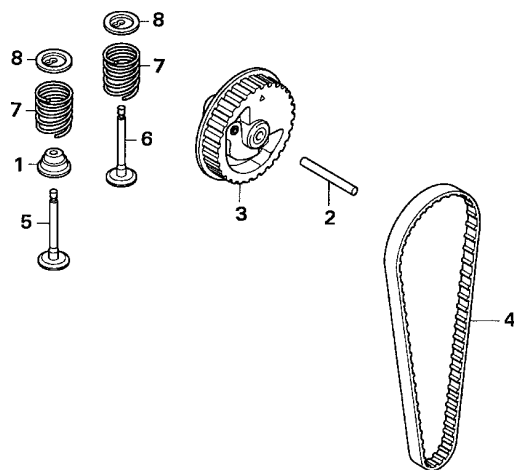
| Ref. No. | Part No. | Description | Reqd. QTY | | Serial No. | Parts catalogue code |
|----------|----------------|-------------------------------|-----------|---------|------------|---|
| | | | GX | T | | |
| 18) | 90013-Z0H-004 | SCREW, PAN, 4X8 | 2 | ----- | 1088910 | SATM,SAU,SAUT,SD,SDS,SDT,SJ,SJS,SJT,SMG,SUT |
| | 90013-Z3E-003 | | 2 | 1088911 | ----- | SATM,SAU,SAUT,SD,SDS,SDT,SJ,SJS,SJT,SMG,SUT |
| 19 | 90013-Z3F-003 | SCREW, PAN, 4X8 | 2 | ----- | ----- | SAMS,SAW,SD2,SD2S,SD2T,SDH,SDL,SGT3,SGT9,SK,SKS,ST3E,ST4,T4 |
| | 90013-Z0Z-003 | | 2 | ----- | 1088910 | SATM,SAU,SAUT,SD,SDS,SDT,SJ,SJS,SJT,SMG,SUT |
| | 90013-Z3F-003 | | 2 | 1088911 | ----- | SATM,SAU,SAUT,SD,SDS,SDT,SJ,SJS,SJT,SMG,SUT |
| 20 | 90017-Z0H-000 | SCREW, TAPPET ADJUSTING | 2 | | | |
| 21 | 90019-Z0H-003 | BOLT, SOCKET, 5X12 | 2 | | | |
| 22 | 90206-ZM3-000 | NUT, TAPPET ADJUSTING | 2 | | | |
| 23 | 94305-40102 | PIN, SPRING, 4X10 | 1 | | | |
| 24 | 95002-41200-08 | CLAMP, TUBE(D12) | 1 | | | |
| 25 | 95002-41300-04 | CLAMP, TUBE(D13) | 1 | | | |



| Ref. No. | L.O.N. | (Relative ref. Number) Description | F.R.T. |
|----------|---------|---|--------|
| 1 | (2,3) | | |
| | 1111J4 | RING SET, PISTON | 1.4 |
| | 1111J4F | .Replace 1 piston and/or pin and/or connecting rod and/or bearing add | 0.1 |
| 4 | 1101R3 | CRANKSHAFT ASSEMBLY | 1.3 |
| 5 | 1101E4 | OIL SEAL, CRANKSHAFT :FRONT .. | 1.2 |
| 6 | 1101E5 | OIL SEAL, CRANKSHAFT :REAR ... | 1.2 |
| 7 | 1101F0 | CRANKSHAFT | 1.5 |

| Ref. No. | Part No. | Description | Reqd. QTY | Serial No. | Parts catalogue code |
|----------|---------------|-------------------------|---------------|------------|--|
| | | | GX 35 T | | |
| 1 | 13010-ZM5-000 | RING SET, PISTON | 1 | | |
| 2 | 13101-Z0Z-000 | PISTON | 1 | ----- | SAMS,SATM,SAU,SAUT,SAW,SD,SD2,SD2S,SD2T,SDH,SDL,SDS,SDT,SJ,SJS,SJT,SK,SKS SMG,SUT |
| | 13101-Z0Z-010 | | 1 | ----- | SGT3,SGT9,ST3E,ST4,T4 |
| 3 | 13111-ZM5-000 | PIN, PISTON | 1 | | |
| 4 | 13310-Z0Z-000 | CRANKSHAFT COMP. | 1 | ----- | SAMS,SATM,SAU,SAUT,SAW,SD,SD2,SD2S,SD2T,SDH,SDL,SDS,SDT,SJ,SJS,SJT,SK,SKS SMG,SUT |
| | 13310-Z0Z-010 | | 1 | ----- | SGT3,SGT9,ST3E,ST4,T4 |
| 5 | 91212-Z3E-003 | OIL SEAL, 10X20X5 | 1 | ----- | SAMS,SAW,SD2,SD2S,SD2T,SDH,SDL,SGT3,SGT9,SK,SKS,ST3E,ST4,T4 |
| | 91212-Z3E-000 | | 1 | 1088910 | SATM,SAU,SAUT,SD,SDS,SDT,SJ,SJS,SJT,SMG,SUT |
| | 91212-Z3E-003 | | 1 | 1088911 | SATM,SAU,SAUT,SD,SDS,SDT,SJ,SJS,SJT,SMG,SUT |
| 6 | 91214-Z3F-003 | OIL SEAL, 15X25X6 | 1 | ----- | SAMS,SAW,SD2,SD2S,SD2T,SDH,SDL,SGT3,SGT9,SK,SKS,ST3E,ST4,T4 |
| | 91214-Z3F-000 | | 1 | 1088910 | SATM,SAU,SAUT,SD,SDS,SDT,SJ,SJS,SJT,SMG,SUT |
| | 91214-Z3F-003 | | 1 | 1088911 | SATM,SAU,SAUT,SD,SDS,SDT,SJ,SJS,SJT,SMG,SUT |
| 7 | 13310-Z0Z-305 | CRANKSHAFT COMP. | (1) | ----- | SAMS,SATM,SAU,SAUT,SAW,SD,SD2,SD2S,SD2T,SDH,SDL,SDS,SDT,SJ,SJS,SJT,SK,SKS SMG,SUT |

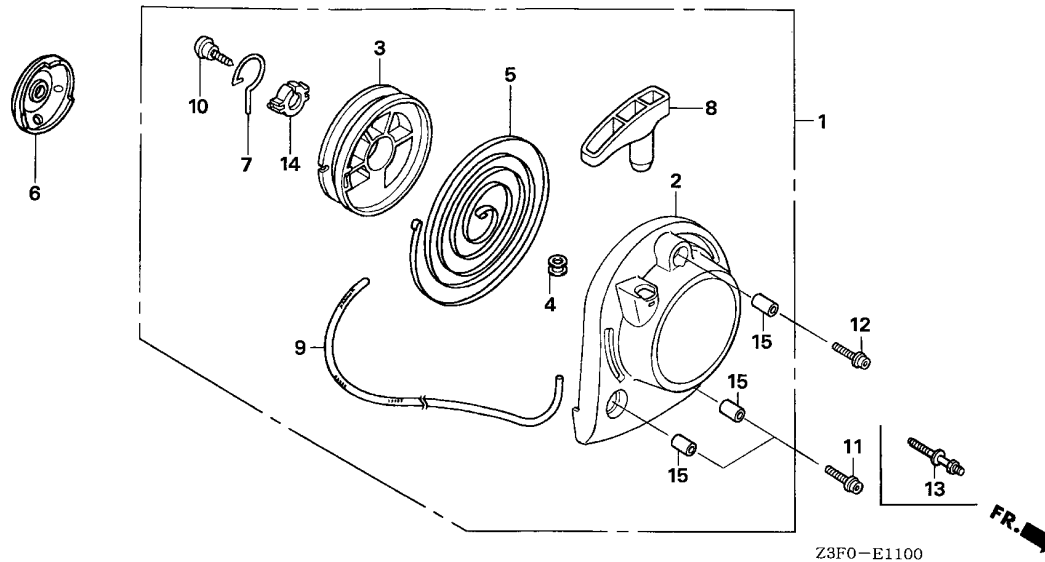




Z3F0-E1000

| Ref. No. | L.O.N. | (Relative ref. Number) Description | F.R.T. |
|----------|---------|--|--------|
| 1 | 1111K2 | SEAL, INTAKE VALVE STEMINCLUDES: Valve clearance adjustment | 1.3 |
| 3 | 1111N5 | PULLEY, CAMSHAFTINCLUDES: Valve clearance adjustment | 0.4 |
| 4 | 1111N6 | BELT, TIMINGINCLUDES: Valve clearance adjustment | 1.2 |
| 5 | 1111L1 | VALVE, INTAKEINCLUDES: Valve clearance adjustment and reface | 1.3 |
| | 1111L1E | .Replace intake and exhaust all add | 0.1 |
| 6 | 1111L0 | VALVE, EXHAUSTINCLUDES: Valve clearance adjustment and reface | 1.3 |
| | 1111L0E | .Replace intake and exhaust all add | 0.1 |

| Ref. No. | Part No. | Description | Reqd. QTY | | Serial No. | Parts catalogue code |
|----------|---------------|---------------------------------|-----------|-------|------------|---|
| | | | GX | T | | |
| 1 | 12209-Z3E-003 | SEAL, VALVE STEM | 1 | ----- | ----- | SAMS,SAW,SD2,SD2S,SD2T,SDH,SDL,SGT3,SGT9,SK,SKS,ST3E,ST4,T4 |
| | 12209-Z3E-000 | | 1 | ----- | 1088910 | SATM,SAU,SAUT,SD,SDS,SDT,SJ,SJS,SJT,SMG,SUT |
| | 12209-Z3E-003 | | 1 | ----- | 1088911 | SATM,SAU,SAUT,SD,SDS,SDT,SJ,SJS,SJT,SMG,SUT |
| 2 | 14126-Z0Z-003 | ROLLER, 4X31.8 | 1 | ----- | ----- | ----- |
| 3 | 14320-Z0Z-000 | PULLEY COMP., CAMSHAFT | 1 | ----- | ----- | ----- |
| 4 | 14400-Z3F-003 | BELT, TIMING(76ZU7 G-300) | 1 | ----- | ----- | SAMS,SAW,SD2,SD2S,SD2T,SDH,SDL,SGT3,SGT9,SK,SKS,ST3E,ST4,T4 |
| | 14400-Z0Z-003 | | 1 | ----- | 1022910 | SATM,SAU,SAUT,SD,SDS,SDT,SJ,SJS,SJT,SMG,SUT |
| | 14400-Z3F-003 | | 1 | ----- | 1022911 | SATM,SAU,SAUT,SD,SDS,SDT,SJ,SJS,SJT,SMG,SUT |
| 5 | 14711-Z0Z-800 | VALVE, IN. | 1 | ----- | ----- | ----- |
| 6 | 14721-Z0Z-800 | VALVE, EX. | 1 | ----- | ----- | ----- |
| 7 | 14751-Z0Z-000 | SPRING, VALVE | 2 | ----- | ----- | ----- |
| 8 | 14771-Z0H-000 | RETAINER, VALVE SPRING | 2 | ----- | ----- | ----- |

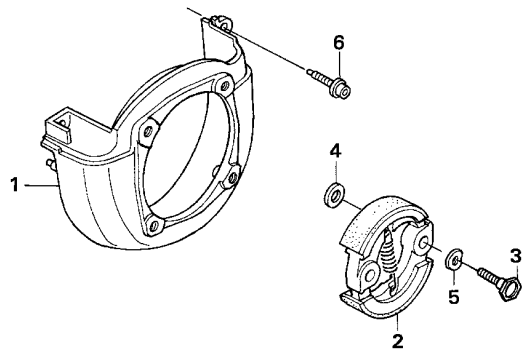


Z3F0-E1100

| Ref. No. | L.O.N. | (Relative ref. Number) Description | F.R.T. |
|----------|--------|-------------------------------------|--------|
| 1 | 1121B9 | STARTER, RECOIL | 0.2 |
| 3 | 1121B1 | REEL, RECOIL STARTER | 0.3 |
| 5 | 1121B7 | SPRING, RECOIL STARTER RETURN | 0.3 |
| 6 | 1121A9 | PULLEY, RECOIL STARTER | 0.3 |
| 8 | 1121A3 | GRIP, RECOIL STARTER | 0.1 |
| 9 | 1121B3 | ROPE, RECOIL STARTER | 0.3 |

| Ref. No. | Part No. | Description | Reqd. QTY | Serial No. | Parts catalogue code |
|----------|---------------|------------------------------|---------------|------------|---|
| | | | GX 35 T | | |
| 1 | 28400-Z0Z-003 | STARTER ASSY., RECOIL | 1 | | |
| 2 | 28414-Z0Z-000 | CASE, RECOIL STARTER | 1 | | |
| 3 | 28421-ZM3-003 | REEL, RECOIL STARTER | 1 | | |
| 4 | 28433-ZM3-003 | GUIDE, ROPE | 1 | | |
| 5 | 28442-Z0H-003 | SPRING, RECOIL STARTER | 1 | | |
| 6 | 28451-Z0H-003 | PULLEY, RECOIL STARTER | 1 | | |
| 7 | 28459-Z0H-003 | ARM, SWING | 1 | | |
| 8 | 28461-ZM3-003 | KNOB, RECOIL STARTER | 1 | | |
| 9 | 28462-ZM3-003 | ROPE, RECOIL STARTER | 1 | | |
| 10 | 90012-ZM3-003 | SCREW, SETTING | 1 | | |
| 11 | 90018-Z0H-003 | BOLT, SOCKET, 5X16 | 2 | ----- | SAMS,SATM,SAU,SAW,SD,SD2,SDH,SDL,SJ,SK,SMG,T4 |
| 12 | 90018-Z0H-003 | BOLT, SOCKET, 5X16 | 1 | | |
| 13 | 90043-Z0H-000 | BOLT, STUD, B | 2 | ----- | SD2S,SDS,SJS,SKS |
| 14 | 91504-ZM3-003 | COLLAR | 1 | | |
| 15 | 91506-ZM3-000 | COLLAR A, HEAD COVER | 3 | | |

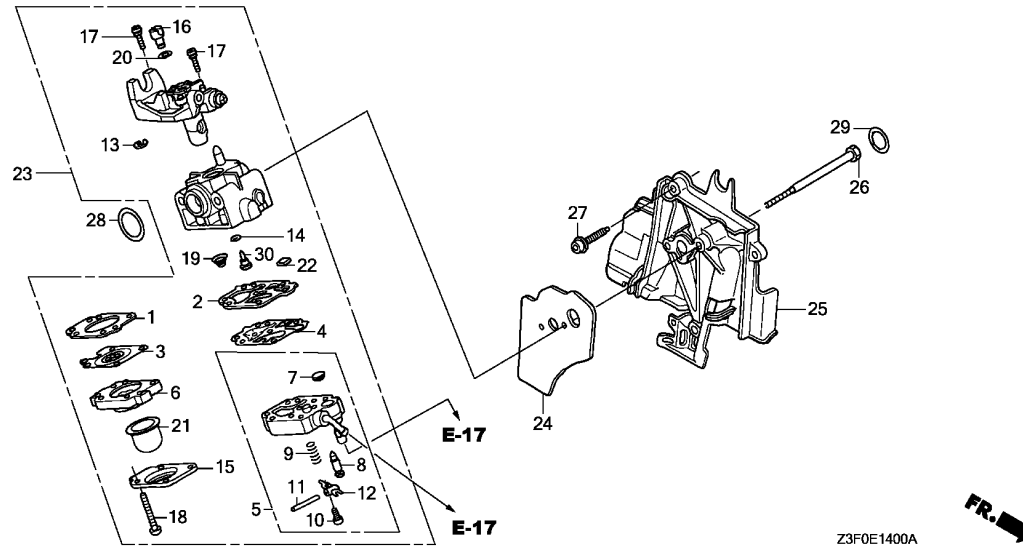




Z3F0-E1200

| Ref. No. | L.O.N. | (Relative ref. Number) Description | F.R.T. |
|----------|--------|------------------------------------|--------|
| 1 | 1141G8 | COVER, ENGINE COOLING FAN | 0.1 |
| 2 | 2121F7 | CLUTCH, CENTRIFUGAL | 0.3 |

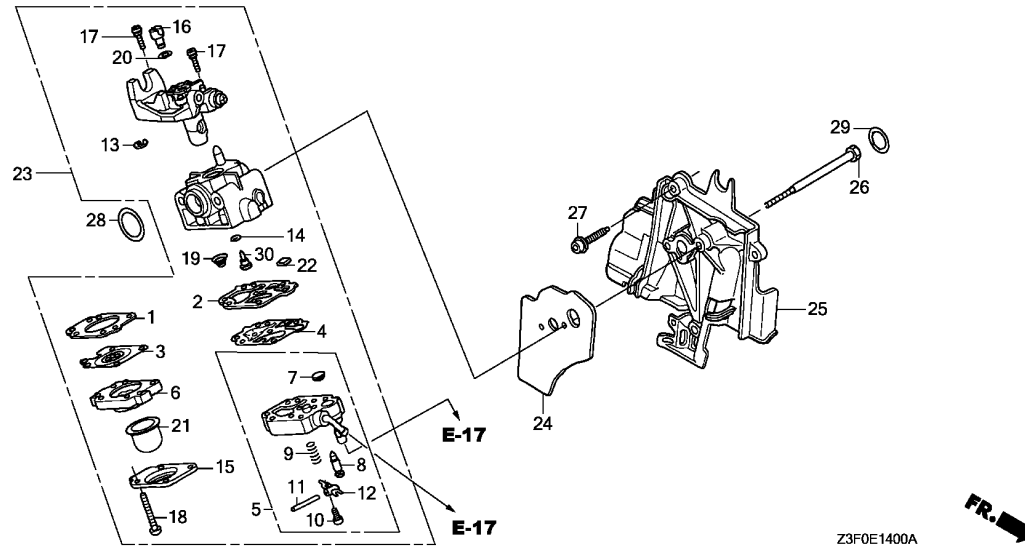
| Ref. No. | Part No. | Description | Reqd. QTY | Serial No. | Parts catalogue code |
|----------|---------------|----------------------------|---------------|------------|----------------------|
| | | | GX 35 T | | |
| 1 | 19611-Z0Z-000 | COVER, FAN | 1 | | |
| 2 | 22000-Z0Z-003 | CLUTCH ASSY. | 1 | | |
| 3 | 22253-Z3F-000 | BOLT, CLUTCH(8MM) | 2 | | |
| 4 | 22254-Z3F-000 | WASHER, CLUTCH(8X17) | 2 | | |
| 5 | 22255-Z3F-000 | WASHER, WAVE(10MM) | 2 | | |
| 6 | 90009-Z0H-003 | BOLT, SOCKET, 5X20 | 3 | | |



| Ref. No. | L.O.N. | (Relative ref. Number) Description | F.R.T. |
|----------|--------|--------------------------------------|--------|
| 2 | | (19,22) | |
| 3111B7 | | GASKET, CARBURETOR PUMP | 0.4 |
| 5 | | (4,7) | |
| 3111A0 | | BODY ASSEMBLY, PUMP | 0.4 |
| 6 | | (1,3) | |
| 3111A1 | | BODY, AIR PURGE | 0.3 |
| 8 | | 3111E3 VALVE, INLET NEEDLE | 0.4 |
| 21 | | 3111D5 PUMP, PRIMER | 0.3 |
| 23 | | 3111F3 CARBURETOR | 0.2 |
| 24 | | 3111C8 PACKING, CARBURETOR | 0.2 |
| 25 | | 4141E3 SHROUD, ENGINE | 0.2 |
| 28 | | 3111C7 O-RING, CARBURETOR BODY | 0.1 |
| 30 | | (14) | |
| 3111C3 | | JET, MAIN | 0.4 |

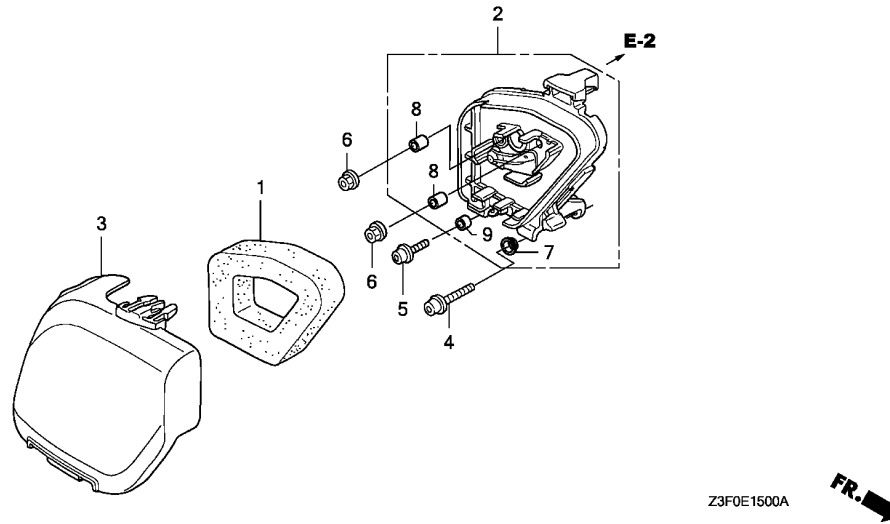
| Ref. No. | Part No. | Description | Reqd. QTY | Serial No. | Parts catalogue code |
|----------|---------------|-------------------------------|---------------|--|----------------------|
| | | | GX 35 T | | |
| 1 | 16010-ZM3-004 | GASKET, METERING DIAPHRAGM .. | 1 | | |
| 2 | 16011-ZOH-013 | GASKET, PUMP | 1 | | |
| 3 | 16013-ZOH-003 | DIAPHRAGM ASSY., METERING ... | 1 | | |
| 4 | 16014-ZM3-004 | DIAPHRAGM, PUMP | 1 | | |
| 5 | 16015-ZOH-013 | BODY ASSY., PUMP | 1 | | |
| 6 | 16017-ZM3-004 | BODY ASSY., AIR PURGE | 1 | | |
| 7 | 16018-ZM3-802 | SCREEN, INLET | 1 | | |
| 8 | 16019-ZM3-004 | VALVE, INLET NEEDLE | 1 | | |
| 9 | 16020-ZM3-004 | SPRING, METERING LEVER | 1 | | |
| 10 | 16021-ZM3-004 | SCREW, METERING LEVER PIN ... | 1 | | |
| 11 | 16022-ZM3-014 | PIN, METERING LEVER | 1 | | |
| 12 | 16023-ZM3-004 | LEVER, METERING | 1 | | |
| 13 | 16024-ZOH-003 | RING, RETAINING | 1 | | |
| 14 | 16025-ZM3-004 | O-RING | 1 | | |
| 15 | 16026-ZM3-004 | COVER, PRIMER PUMP | 1 | | |
| 16 | 16027-ZM3-004 | SWIVEL | 1 | | |
| 17 | 16028-ZM3-004 | SCREW, THROTTLE COLLAR | 2 | | |
| 18 | 16029-ZM3-004 | SCREW, PUMP COVER | 4 | | |
| 19 | 16030-ZM3-004 | SPRING, PUMP | 1 | | |
| 20 | 16031-ZM3-004 | WASHER | 1 | | |
| 21 | 16032-ZM3-004 | PUMP, PRIMER | 1 | | |
| 22 | 16035-ZM3-802 | FILTER, FUEL INLET | 1 | | |
| 23 | 16100-Z3F-842 | CARBURETOR ASSY.(WYB 23) | 1 | ----- SAMS,SATM,SAW | |
| | 16100-Z0Z-814 | CARBURETOR ASSY.(WYB 14B) ... | 1 | ----- SD,SD2,SD2S,SD2T,SDH,SDS,SDT,SJ,SJS,SJT,SK,SKS | |
| | 16100-Z0Z-815 | CARBURETOR ASSY.(WYB 14D) ... | 1 | ----- SGT3,SGT9,ST3E,ST4 | |





2

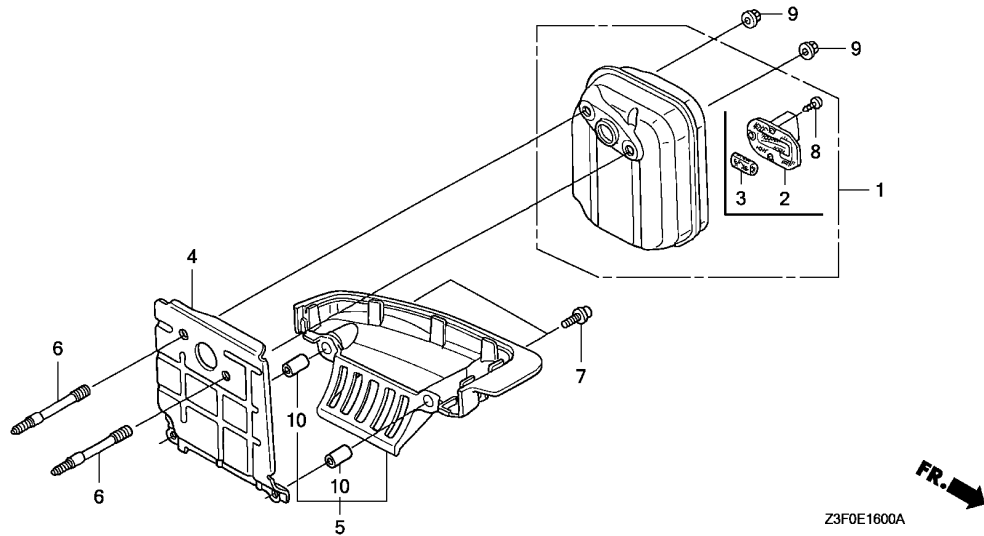
| Ref. No. | Part No. | Description | Reqd. QTY | | Serial No. | Parts catalogue code |
|----------|----------------|--------------------------------------|---------------|---------|------------|--|
| | | | GX 35 T | | | |
| 23) | 16100-Z6K-014 | CARBURETOR ASSY. (WYB 22A) | 1 | ----- | ----- | T4 |
| | 16100-Z0Z-804 | CARBURETOR ASSY. (WYB 15B) | 1 | ----- | 2085394 | SAU, SAUT, SDL, SUT |
| | 16100-Z3F-852 | CARBURETOR ASSY. (WYB 25) | 1 | ----- | 2135288 | SMG |
| | 16100-Z0Z-805 | CARBURETOR ASSY. (WYB 15D) | 1 | 2085395 | ----- | SAU, SAUT, SDL, SUT |
| | 16100-Z3F-853 | CARBURETOR ASSY. (WYB 25A) | 1 | 2135289 | ----- | SMG |
| 24 | 16221-Z0Z-000 | PACKING, CARBURETOR | 1 | | | |
| 25 | 19631-Z0Z-010 | SHROUD | 1 | | | |
| 26 | 90014-Z0H-003 | BOLT, 5X53 | 2 | | | |
| 27 | 90018-Z0H-003 | BOLT, SOCKET, 5X16 | 2 | | | |
| 28 | 91301-ZM3-000 | O-RING, 14.8X2.4 | 1 | | | |
| 29 | 91308-Z3E-000 | O-RING, 12.3X2.4 | 1 | | | |
| 30 | 99101-Z0Z-0360 | JET (#36) | 1 | ----- | ----- | SAMS, SATM, SAW |
| | 99101-ZM5-0350 | JET (#35) | (1) | ----- | ----- | SAMS, SATM, SAW, SD, SD2, SD2S, SD2T, SDH, SDS, SDT, SGT3, SGT9, SJ, SJS, SJT, SK, SKS SMG, ST3E, ST4 |
| | 99101-ZM5-0340 | JET (#34) | (1) | ----- | ----- | SAMS, SATM, SAW, T4 |
| | 99101-Z0Z-0360 | JET (#36) | (1) | ----- | ----- | SAU, SAUT, SD, SD2, SD2S, SD2T, SDH, SDL, SDS, SDT, SGT3, SGT9, SJ, SJS, SJT, SK, SKS, SMG ST3E, ST4, SUT |
| | 99101-Z0Z-0370 | JET (#37) | (1) | ----- | ----- | SAU, SAUT, SDL, SUT |
| | 99101-Z0Z-0380 | JET (#38) | 1 | ----- | ----- | SAU, SAUT, SDL, SUT |
| | 99101-Z0Z-0370 | JET (#37) | 1 | ----- | ----- | SD, SD2, SD2S, SD2T, SDH, SDS, SDT, SGT3, SGT9, SJ, SJS, SJT, SK, SKS, SMG, ST3E, ST4 |
| | 99101-ZM5-0330 | JET (#33) | (1) | ----- | ----- | T4 |
| | 99101-ZM5-0350 | JET (#35) | 1 | ----- | ----- | T4 |



| Ref. No. | L.O.N. | (Relative ref. Number) Description | F.R.T. |
|----------|--------|---|--------|
| 1 | 3121B8 | ELEMENT, AIR CLEANERINCLUDES: Air cleaner element -inspection | 0.1 |
| 2 | 3121A5 | CASE, AIR CLEANER | 0.1 |
| 3 | 3121B1 | COVER, AIR CLEANER | 0.1 |

| Ref. No. | Part No. | Description | Reqd. QTY | Serial No. | Parts catalogue code |
|----------|---------------|--------------------------------|---------------|------------|--|
| | | | GX 35 T | | |
| 1 | 17211-Z0Z-000 | ELEMENT, AIR CLEANER | 1 | | |
| 2 | 17220-Z0Z-000 | CASE COMP., AIR CLEANER | 1 | | |
| 3 | 17231-Z0Z-000 | COVER, AIR CLEANER | 1 | ----- | SAMS,SATM,SAU,SAUT,SAW,SD,SD2,SD2S,SD2T,SDH,SDL,SDS,SDT,SJ,SJS,SJT,SK,SKS SMG,SUT |
| | 17231-Z0Z-010 | | 1 | ----- | SGT3,SGT9,ST3E,ST4,T4 |
| 4 | 90009-Z0Z-003 | BOLT, SOCKET, 5X25 | 1 | | |
| 5 | 90018-Z0H-003 | BOLT, SOCKET, 5X16 | 1 | | |
| 6 | 94050-05000 | NUT, FLANGE, 5MM | 2 | | |
| 7 | 91501-Z0Z-000 | COLLAR, AIR CLEANER CASE | 1 | | |
| 8 | 91503-ZM3-000 | COLLAR, AIR CLEANER | 2 | | |
| 9 | 91506-ZM3-000 | COLLAR A, HEAD COVER | 1 | | |





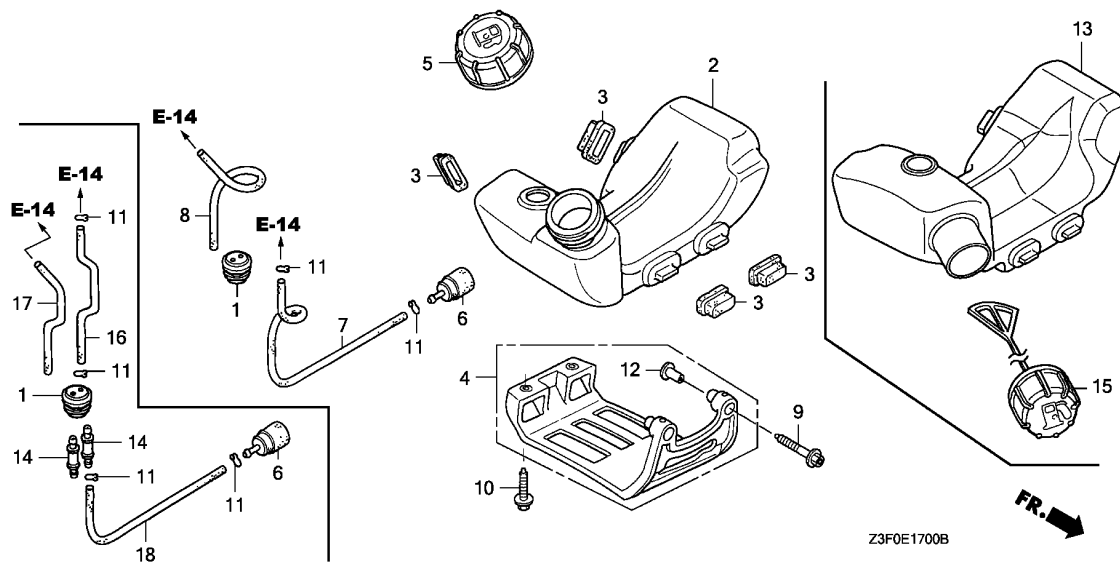
| Ref. No. | L.O.N. | (Relative ref. Number) Description | F.R.T. |
|----------|--------|------------------------------------|--------|
| 1 | 3131C5 | MUFFLER, EXHAUST | 0.1 |
| 2 | 3131A1 | ARRESTER, SPARK | 0.1 |
| | | .INCLUDES: Spark arrester check | |
| 4 | 3131B6 | GUIDE, AIR EXHAUST | 0.1 |
| 5 | 3131G8 | GUIDE, AIR EXHAUST :UNDER | 0.1 |

| Ref. No. | Part No. | Description | Reqd. QTY | | Serial No. | Parts catalogue code |
|----------|---------------|-------------------------------|-----------|---|------------|--|
| | | | GX | T | | |
| 1 | 18310-Z3F-820 | MUFFLER COMP.(ARRESTER) | 1 | | ----- | SAMS,SATM,SAW,T4 |
| | 18310-Z0Z-801 | | 1 | | ----- | SAU,SAUT,SGT3,SGT9,ST3E,ST4,SUT |
| | 18310-Z0Z-010 | MUFFLER COMP. | 1 | | ----- | SD,SD2,SD2S,SD2T,SDH,SDL,SDS,SDT,SJ,SJS,SJT,SK,SKS |
| | 18310-Z3F-830 | | 1 | | ----- | SMG |
| 2 | 18350-Z0Z-800 | ARRESTER COMP., SPARK | 1 | | ----- | SAMS,SATM,SAU,SAUT,SAW,SGT3,SGT9,ST3E,ST4,SUT,T4 |
| 3 | 18354-Z0Z-800 | FILTER, EXHAUST | 1 | | ----- | SAMS,SATM,SAU,SAUT,SAW,SGT3,SGT9,ST3E,ST4,SUT,T4 |
| 4 | 18515-Z0Z-300 | GUIDE, AIR | 1 | | | |
| 5 | 18518-Z0Z-020 | GUIDE COMP., UNDER AIR | 1 | | | |
| 6 | 90001-Z0Z-013 | BOLT, STUD, 5X56.5 | 2 | | | |
| 7 | 90018-Z0H-003 | BOLT, SOCKET, 5X16 | 2 | | | |
| 8 | 90055-ZE1-000 | SCREW, TAPPING, 4X6 | 3 | | ----- | SAMS,SATM,SAU,SAUT,SAW,SGT3,SGT9,ST3E,ST4,SUT,T4 |
| 9 | 90136-SM4-901 | NUT, SELF-LOCK, 5MM | 2 | | | |
| 10 | 91506-ZM3-000 | COLLAR A, HEAD COVER | 2 | | | |

E-17

FUEL TANK

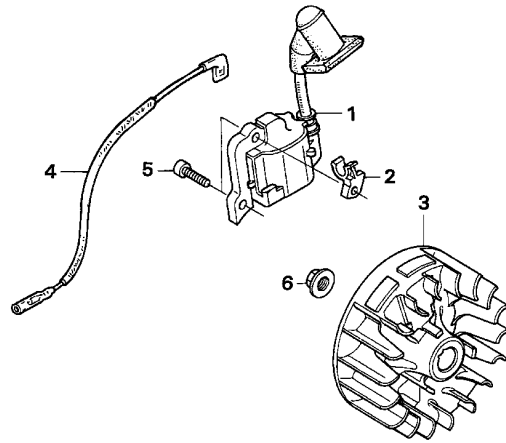
C11



| Ref. No. | L.O.N. | (Relative ref. Number) Description | F.R.T. |
|----------|--------|------------------------------------|--------|
| 1 | 3101J0 | GROMMET, FUEL TUBE | 0.2 |
| 2 | (13) | TANK, FUEL | 0.2 |
| 4 | 3101A9 | GUARD, TANK | 0.2 |
| 6 | 3101A6 | FILTER, FUEL | 0.2 |
| 7 | 3101F1 | TUBE, FUEL TANK | 0.2 |

| Ref. No. | Part No. | Description | Reqd. QTY | | Serial No. | Parts catalogue code |
|----------|---------------|-----------------------|-----------|---|--|----------------------|
| | | | GX | T | | |
| 1 | 17504-ZM3-003 | GROMMET, FUEL TUBE | 1 | | | |
| 2 | 17511-Z0Z-013 | TANK, FUEL | 1 | | SATM,SAU,SAUT,SD,SD2,SD2S,SD2T,SDH,SDL,SDS,SDT,SGT3,SGT9,SJ,SJS,SJT,SKS,SMG,ST3E,ST4,SUT | |
| 3 | 17533-Z0H-000 | RUBBER, TANK MOUNTING | 4 | | | |
| 4 | 17555-Z0Z-000 | GUARD, TANK | 1 | | SAUT,SD2T,SDT,SGT3,SGT9,SJT,ST3E,ST4,SUT | |
| 5 | 17620-ZM3-063 | CAP ASSY., FUEL TANK | 1 | | SATM,SAU,SAUT,SD,SD2,SD2S,SD2T,SDH,SDL,SDS,SDT,SGT3,SGT9,SJ,SJS,SJT,SKS,SMG,ST3E,ST4,SUT | |
| 6 | 17672-Z0H-003 | FILTER, FUEL | 1 | | | |
| 7 | 17701-Z0Z-000 | TUBE, FUEL TANK | 1 | | SATM,SAU,SAUT,SD,SD2,SD2S,SD2T,SDH,SDL,SDS,SDT,SGT3,SGT9,SJ,SJS,SJT,SKS,SMG,ST3E,ST4,SUT | |
| 8 | 17702-Z0Z-000 | TUBE, FUEL RETURN | 1 | | SATM,SAU,SAUT,SD,SD2,SD2S,SD2T,SDH,SDL,SDS,SDT,SGT3,SGT9,SJ,SJS,SJT,SKS,SMG,ST3E,ST4,SUT | |
| 9 | 90010-Z0H-003 | BOLT, SOCKET, 5X30 | 2 | | SAUT,SD2T,SDT,SGT3,SGT9,SJT,ST3E,ST4,SUT | |
| 10 | 90018-Z0H-003 | BOLT, SOCKET, 5X16 | 2 | | SAUT,SD2T,SDT,SGT3,SGT9,SJT,ST3E,ST4,SUT | |
| 11 | 91401-ZM3-003 | CLIP, TUBE | 4 | | SAMS,SAW,T4 | |
| | | | 2 | | SATM,SAU,SAUT,SD,SD2,SD2S,SD2T,SDH,SDL,SDS,SDT,SGT3,SGT9,SJ,SJS,SJT,SKS,SMG,ST3E,ST4,SUT | |
| 12 | 91501-Z0H-000 | COLLAR, TANK GUARD | 2 | | SAUT,SD2T,SDT,SGT3,SGT9,SJT,ST3E,ST4,SUT | |
| 13 | 17511-Z6K-013 | TANK, FUEL | 1 | | SAMS,SAW,T4 | |
| 14 | 17519-ZM5-003 | FITTING | 2 | | SAMS,SAW,T4 | |
| 15 | 17620-Z0H-J72 | CAP ASSY., FUEL TANK | 1 | | SAMS,SAW,T4 | |
| 16 | 17701-Z6K-003 | TUBE, FUEL | 1 | | SAMS,SAW,T4 | |
| 17 | 17702-Z6K-003 | TUBE, FUEL RETURN | 1 | | SAMS,SAW,T4 | |
| 18 | 17703-Z6K-003 | TUBE A, FUEL | 1 | | SAMS,SAW,T4 | |

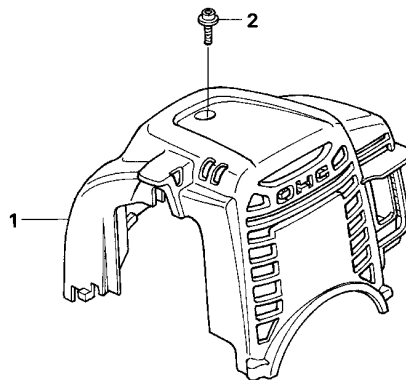
2



Z3F0-E1900

| Ref. No. | L.O.N. | (Relative ref. Number) Description | F.R.T. |
|----------|--------|------------------------------------|--------|
| 1 | 6141A5 | COIL, IGNITION(ONE) | 0.2 |
| 3 | 2161B5 | FLYWHEEL | 0.4 |
| 4 | 6111B3 | CORD, STOP SWITCH | 0.1 |

| Ref. No. | Part No. | Description | Reqd. QTY | | Serial No. | Parts catalogue code |
|----------|---------------|-------------------------------|-----------|-------|------------|---|
| | | | GX | T | | |
| 1 | 30500-Z3F-003 | COIL ASSY., IGNITION | 1 | ----- | ----- | SAMS,SATM,SAU,SAUT,SD,SD2,SDL,SDS,SDT,SJ,SJS,SJT,SK,SKS,SMG,SUT |
| | 30500-Z3F-013 | | 1 | ----- | ----- | SAW,SD2S,SD2T,SDH,SGT3,SGT9,ST3E,ST4,T4 |
| 2 | 30522-Z3F-000 | CLIP, HIGH TENSION CORD | 1 | ----- | ----- | |
| 3 | 31110-Z3F-003 | FLYWHEEL COMP. | 1 | ----- | ----- | |
| 4 | 32195-Z0Z-000 | CORD, STOP SWITCH | 1 | ----- | ----- | |
| 5 | 90012-Z3E-003 | BOLT, SOCKET, 4X14 | 2 | ----- | ----- | SAMS,SAW,SD2,SD2S,SD2T,SDH,SDL,SGT3,SGT9,SK,SKS,ST3E,ST4,T4 |
| | 90012-Z0H-005 | | 2 | ----- | 1088910 | SATM,SAU,SAUT,SD,SDS,SDT,SJ,SJS,SJT,SMG,SUT |
| | 90012-Z3E-003 | | 2 | ----- | 1088911 | SATM,SAU,SAUT,SD,SDS,SDT,SJ,SJS,SJT,SMG,SUT |
| 6 | 94050-08000 | NUT, FLANGE, 8MM | 1 | ----- | ----- | |



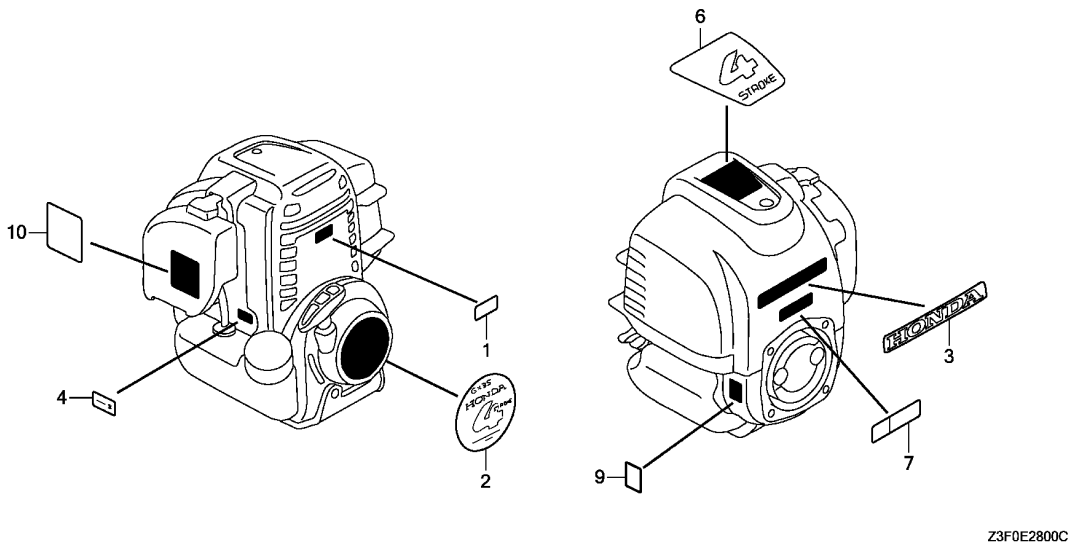
Z3F0-E2700

| Ref. No. | L.O.N. | (Relative ref. Number) Description | F.R.T. |
|----------|--------|------------------------------------|--------|
|----------|--------|------------------------------------|--------|

| | | | |
|---|--------|-------------------------|-----|
| 1 | 1111D6 | COVER, ENGINE TOP | 0.1 |
|---|--------|-------------------------|-----|

| Ref. No. | Part No. | Description | Reqd. QTY | Serial No. | Parts catalogue code |
|----------|-----------------|------------------------|---------------|------------|---|
| | | | GX 35 T | | |
| 1 | 19720-Z3F-800ZA | COVER COMP., TOP | 1 | ----- | SAMS, SATM, SAW, SMG, T4 |
| | *R280* |POWER RED | 1 | ----- | SAU, SAUT, SD, SD2, SD2S, SD2T, SDH, SDL, SDS, SDT, SJ, SJS, SJT, SK, SKS, ST4, SUT |
| | 19720-Z0Z-000ZA | *R280*.....POWER RED | 1 | ----- | SGT3 |
| | 19720-Z0Z-000ZB | *T92*.....STIGA YELLOW | 1 | ----- | SGT9 |
| | 19720-Z0Z-000ZC | *T100*.....EMAK RED | 1 | ----- | SKS |
| | 19720-Z0Z-000ZE | *NH1*.....BLACK | 1 | ----- | ST3E |
| | 19720-Z0Z-000ZF | *T103*.....ELMOS BLUE | 1 | ----- | |
| 2 | 90015-Z0H-003 | BOLT, TOP COVER | 1 | | |



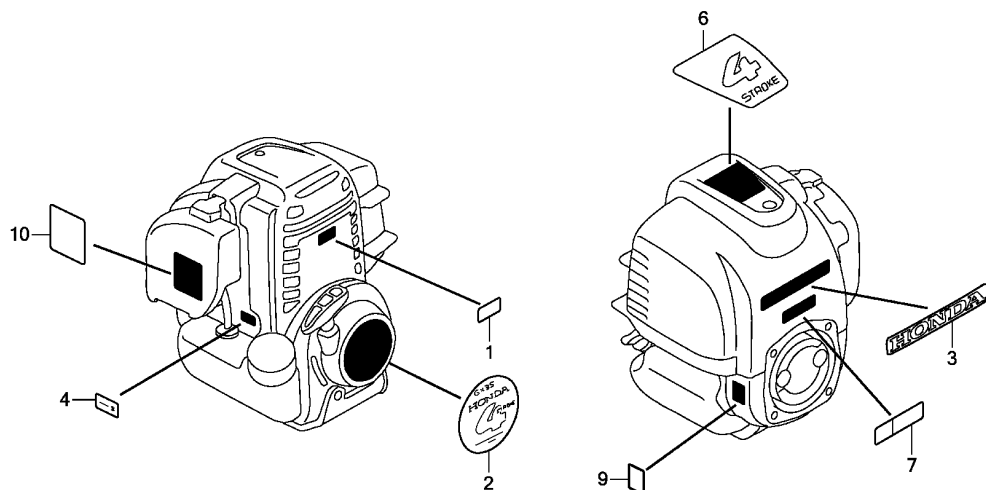


Z3F0E2800C

Ref. L.O.N. (Relative ref. Number) F.R.T.
No. Description

NO INFORMATION

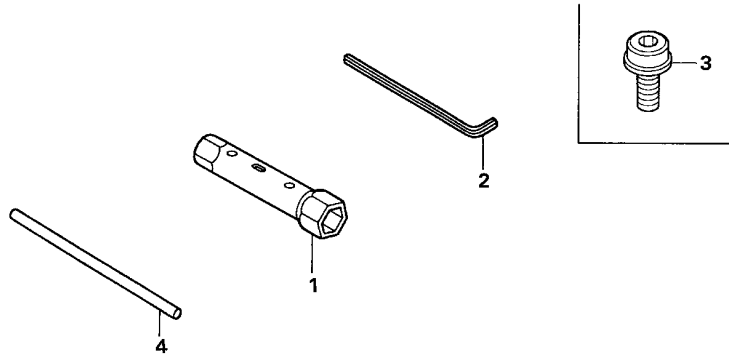
| Ref. No. | Part No. | Description | Reqd. QTY | Serial No. | Parts catalogue code |
|----------|---------------|--|---------------|------------|--|
| | | | GX 35 T | | |
| 1 | 87114-ZH7-810 | LABEL, WARNING (NOT CERTIFIED FOR SALE) | 1 | ----- | SAMS, SATM, SAW |
| | 87114-ZH7-000 | | 1 | ----- | SD, SD2, SD2S, SD2T, SDH, SDL, SDS, SDT, SJ, SJS, SJT, SK, SKS, SMG |
| 2 | 87521-Z3F-000 | MARK, EMBLEM | 1 | ----- | SAMS, SAW, SD2, SD2S, SD2T, SDH, SDL, SGT3, ST3E, ST4, T4 |
| | 87521-Z3F-010 | | 1 | 1247375 | SATM, SAU, SAUT, SD, SDS, SDT, SJ, SJS, SJT, SK, SKS, SMG, SUT |
| | 87521-Z3F-010 | | 1 | 1247376 | SATM, SAU, SAUT, SD, SDS, SDT, SJ, SJS, SJT, SK, SKS, SMG, SUT |
| 3 | 87531-Z0Z-000 | MARK, HONDA | 1 | ----- | SAMS, SATM, SAU, SAUT, SAW, SD, SD2, SD2S, SD2T, SDH, SDL, SDS, SDT, SJ, SJS, SJT, SK, SKS, SMG, SUT, T4 |
| 4 | 87601-Z3F-V50 | MARK, TYPE(SAMS) | 1 | ----- | SAMS |
| | 87601-ZM5-V60 | MARK, TYPE(SATM) | 1 | ----- | SATM |
| | 87601-Z0H-870 | MARK, TYPE(SAU) | 1 | ----- | SAU |
| | 87601-Z0H-880 | MARK, TYPE(SAUT) | 1 | ----- | SAUT |
| | 87601-Z3F-V90 | MARK, TYPE(SAW) | 1 | ----- | SAW |
| | 87601-Z0H-890 | MARK, TYPE(SD) | 1 | ----- | SD |
| | 87601-Z3E-840 | MARK, TYPE(SD2) | 1 | ----- | SD2 |
| | 87601-Z3F-820 | MARK, TYPE(SD2S) | 1 | ----- | SD2S |
| | 87601-Z3F-830 | MARK, TYPE(SD2T) | 1 | ----- | SD2T |
| | 87601-Z3F-810 | MARK, TYPE(SDH) | 1 | ----- | SDH |
| | 87601-Z3F-V80 | MARK, TYPE(SDL) | 1 | ----- | SDL |
| | 87601-Z0Z-V20 | MARK, TYPE(SDS) | 1 | ----- | SDS |
| | 87601-Z0H-900 | MARK, TYPE(SDT) | 1 | ----- | SDT |
| | 87601-Z4A-820 | MARK, TYPE(SGT3) | 1 | ----- | SGT3 |
| | 87601-Z4A-850 | MARK, TYPE(SGT9) | 1 | ----- | SGT9 |
| | 87601-Z0H-800 | MARK, TYPE(SJ) | 1 | ----- | SJ |
| | 87601-Z0H-940 | MARK, TYPE(SJS) | 1 | ----- | SJS |
| | 87601-Z0H-810 | MARK, TYPE(SJT) | 1 | ----- | SJT |
| | 87601-Z3E-800 | MARK, TYPE(SK) | 1 | ----- | SK |
| | 87601-Z3F-800 | MARK, TYPE(SKS) | 1 | ----- | SKS |
| | 87601-ZM3-U40 | MARK, TYPE(SMG) | 1 | ----- | SMG |



Z3F0E2800C

| Ref. No. | Part No. | Description | Reqd. QTY | | Serial No. | Parts catalogue code |
|----------|---------------|--|-----------|-------|---|----------------------|
| | | | GX | T | | |
| (4) | 87601-Z4A-860 | MARK, TYPE(ST3E) | 1 | ----- | ST3E | |
| | 87601-Z3E-870 | MARK, TYPE(ST4) | 1 | ----- | ST4 | |
| | 87601-Z0H-950 | MARK, TYPE(SUT) | 1 | ----- | SUT | |
| | 87601-Z4A-880 | MARK, TYPE(T4) | 1 | ----- | T4 | |
| 6 | 87660-Z0Z-000 | MARK(4-STROKE) | 1 | ----- | SAMS,SATM,SAU,SAUT,SAW,SD,SD2,SD2S,SD2T,SDH,SDL,SDS,SDT,SGT3,SJ,SJS,SJT SK,SKS,SMG,ST3E,ST4,T4 | |
| | 87660-Z0Z-J00 | ----- | 1 | ----- | SUT | |
| 7 | 87522-ZK6-800 | LABEL, CAUTION | 1 | ----- | SDH,SDL | |
| 9 | 87114-ZH7-840 | LABEL, WARNING (NOT CERTIFIED FOR SALE) | 1 | ----- | SGT3,SGT9,ST3E,ST4,T4 | |
| 10 | 87519-Z6J-000 | MARK, OPERATOR CAUTION (PICTOGRAPH) | 1 | ----- | SGT3,SGT9,ST3E,ST4,T4 | |



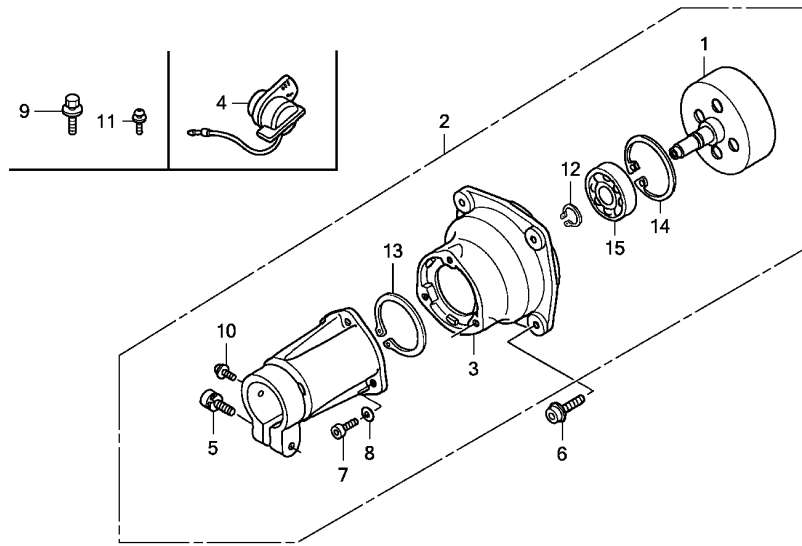


Z3F0-E2900

Ref. L.O.N. (Relative ref. Number) F.R.T.
No. Description

NO INFORMATION

| Ref. No. | Part No. | Description | Reqd. QTY | Serial No. | Parts catalogue code |
|----------|---------------|---------------------------|---------------|------------|--|
| | | | GX 35 T | | |
| 1 | 89216-VJ3-J10 | WRENCH, PLUG(16X19) | (1) | | |
| 2 | 89221-KW3-000 | WRENCH, HEX., 4MM | (1) | | |
| 3 | 90011-ZOH-811 | BOLT, SOCKET, 5X9 | (1) | ----- | SAMS,SATM,SAU,SAUT,SAW,SD,SD2,SD2S,SD2T,SDH,SDL,SDS,SDT,SGT3,SGT9,SJ,SJS SJT,SK,SKS,SMG,ST3E,ST4,T4 |
| 4 | 99005-01000 | BAR A, HANDLE | 1 (1) | ----- | SUT |



Z3F0E4000

| Ref. No. | L.O.N. | (Relative ref. Number) Description | F.R.T. |
|----------|--------|------------------------------------|--------|
| 1 | 2121C0 | OUTER, CLUTCH | 0.2 |
| 2 | 2121E8 | HOUSING ASSEMBLY, CLUTCH | 0.1 |
| 3 | 2121B6 | HOUSING, CLUTCH | 0.3 |
| 15 | 2121E7 | BEARING, CLUTCH OUTER | 0.3 |

| Ref. No. | Part No. | Description | Reqd. QTY | Serial No. | Parts catalogue code |
|----------|----------------|-------------------------------|---------------|------------|----------------------|
| | | | GX 35 T | | |
| 1 | 22100-VK4-M00 | OUTER COMP., CLUTCH | 1 | ----- | SAMS |
| 2 | 22260-VK4-M01 | HOUSING ASSY., CLUTCH | 1 | ----- | SAMS |
| 3 | 22261-VK4-003 | HOUSING, CLUTCH | 1 | ----- | SAMS |
| 4 | 36100-ZE1-015 | SWITCH ASSY., ENGINE STOP ... | 1 | ----- | SAMS |
| 5 | 90101-VK4-003 | BOLT, SOCKET, 6X20 | 1 | ----- | SAMS |
| 6 | 90102-VK4-000 | BOLT, FLANGE SOCKET, 6X20 ... | 4 | ----- | SAMS |
| 7 | 90103-VK4-003 | BOLT, SOCKET, 5X20 | 3 | ----- | SAMS |
| 8 | 90401-VK4-003 | WASHER, 5MM | 3 | ----- | SAMS |
| 9 | 93403-06028-08 | BOLT-WASHER, 6X28 | 1 | ----- | SAMS |
| 10 | 93892-05010-07 | SCREW-WASHER, 5X10 | 1 | ----- | SAMS |
| 11 | 93893-05010-08 | SCREW-WASHER, 5X10 | 1 | ----- | SAMS |
| 12 | 94510-15000 | CIRCLIP, EXTERNAL, 15MM | 1 | ----- | SAMS |
| 13 | 94510-30000 | CIRCLIP, EXTERNAL, 30MM | 1 | ----- | SAMS |
| 14 | 94520-35000 | CIRCLIP, INTERNAL, 35MM | 1 | ----- | SAMS |
| 15 | 96130-62020-10 | BEARING, RADIAL BALL, 6202 .. | 1 | ----- | SAMS |



PART NO. INDEX

E 2

| Part Number | Address | Page | Ref. | Part Number | Address | Page | Ref. | Part Number | Address | Page | Ref. | Part Number | Address | Page | Ref. |
|----------------|---------|------|------|-------------|---------|------|------|-------------|---------|------|------|-------------|---------|------|------|
| 99101-ZM5-0330 | C8 | 24 | 30 | | | | | | | | | | | | |
| 99101-ZM5-0340 | C8 | 24 | 30 | | | | | | | | | | | | |
| 99101-ZM5-0350 | C8 | 24 | 30 | | | | | | | | | | | | |

3

PART NAME INDEX

F 1

| Part name | Address | Page | Ref. | Part name | Address | Page | Ref. | Part name | Address | Page | Ref. |
|--------------------------------|---------|------|------|----------------------------------|---------|------|------|-------------------------------------|---------|------|------|
| [A] | | | | COLLAR A, HEAD COVER | C10 | 26 | 10 | LABEL, WARNING | C14 | 30 | 1 |
| ARM, EX. VALVE ROCKER | C1 | 17 | 7 | COLLAR, AIR CLEANER | C9 | 25 | 8 | LABEL, WARNING | C15 | 31 | 9 |
| ARM, IN. VALVE ROCKER | C1 | 17 | 6 | COLLAR, AIR CLEANER CASE | C9 | 25 | 7 | LEVER, METERING | C7 | 23 | 12 |
| ARM, SWING | C5 | 21 | 7 | COLLAR, TANK GUARD | C11 | 27 | 12 | LIFTER COMP., EX. VALVE | C1 | 17 | 9 |
| ARRESTER COMP., SPARK | C10 | 26 | 2 | CORD, STOP SWITCH | C12 | 28 | 4 | LIFTER COMP., IN. VALVE | C1 | 17 | 8 |
| [B] | | | | COVER COMP., TOP | C13 | 29 | 1 | [M] | | | |
| BAR A, HANDLE | C16 | 32 | 4 | COVER, AIR CLEANER | C9 | 25 | 3 | MARK | C15 | 31 | 6 |
| BEARING, RADIAL BALL, 6202 ... | D1 | 33 | 15 | COVER, CYLINDER HEAD | C1 | 17 | 2 | MARK, EMBLEM | C14 | 30 | 2 |
| BELT, TIMING | C4 | 20 | 4 | COVER, FAN | C6 | 22 | 1 | MARK, HONDA | C14 | 30 | 3 |
| BODY ASSY., AIR PURGE | C7 | 23 | 6 | COVER, PRIMER PUMP | C7 | 23 | 15 | MARK, OPERATOR CAUTION | C15 | 31 | 10 |
| BODY ASSY., PUMP | C7 | 23 | 5 | CRANKCASE SET | C1 | 17 | 1 | MARK, TYPE | C14 | 30 | 4 |
| BOLT-WASHER, 6X28 | D1 | 33 | 9 | CRANKSHAFT COMP. | C3 | 19 | 4 | | C15 | 31 | 4 |
| BOLT, 5X53 | C8 | 24 | 26 | [D] | | | | MUFFLER COMP. | C10 | 26 | 1 |
| BOLT, CLUTCH | C6 | 22 | 3 | DIAPHRAGM ASSY., METERING | C7 | 23 | 3 | [N] | | | |
| BOLT, FLANGE SOCKET, 6X20 ... | D1 | 33 | 6 | DIAPHRAGM, PUMP | C7 | 23 | 4 | NUT, FLANGE, 5MM | C9 | 25 | 6 |
| BOLT, SOCKET, 4X14 | C12 | 28 | 5 | [E] | | | | NUT, FLANGE, 8MM | C12 | 28 | 6 |
| BOLT, SOCKET, 5X12 | C2 | 18 | 21 | ELEMENT, AIR CLEANER | C9 | 25 | 1 | NUT, SELF-LOCK, 5MM | C10 | 26 | 9 |
| BOLT, SOCKET, 5X16 | C5 | 21 | 11 | [F] | | | | NUT, TAPPET ADJUSTING | C2 | 18 | 22 |
| | C8 | 24 | 27 | FILTER, BREATHER | C1 | 17 | 5 | [O] | | | |
| | C9 | 25 | 5 | FILTER, EXHAUST | C10 | 26 | 3 | OIL SEAL, 10X20X5 | C3 | 19 | 5 |
| | C10 | 26 | 7 | FILTER, FUEL | C11 | 27 | 6 | OIL SEAL, 15X25X6 | C3 | 19 | 6 |
| | C11 | 27 | 10 | FILTER, FUEL INLET | C7 | 23 | 22 | O-RING | C7 | 23 | 14 |
| BOLT, SOCKET, 5X20 | C1 | 17 | 16 | FITTING | C11 | 27 | 14 | O-RING, 12.3X2.4 | C8 | 24 | 29 |
| | C6 | 22 | 6 | FLYWHEEL COMP. | C12 | 28 | 3 | O-RING, 14.8X2.4 | C8 | 24 | 28 |
| | D1 | 33 | 7 | [G] | | | | OUTER COMP., CLUTCH | D1 | 33 | 1 |
| BOLT, SOCKET, 5X25 | C9 | 25 | 4 | GASKET, METERING DIAPHRAGM | C7 | 23 | 1 | [P] | | | |
| BOLT, SOCKET, 5X30 | C11 | 27 | 9 | GASKET, PUMP | C7 | 23 | 2 | PACKING, CARBURETOR | C8 | 24 | 24 |
| BOLT, SOCKET, 5X32 | C1 | 17 | 17 | GROMMET, FUEL TUBE | C11 | 27 | 1 | PACKING, OIL FILLER CAP | C1 | 17 | 13 |
| BOLT, SOCKET, 5X9 | C16 | 32 | 3 | GROMMET, HEAD COVER | C1 | 17 | 4 | PIN, METERING LEVER | C7 | 23 | 11 |
| BOLT, SOCKET, 6X20 | D1 | 33 | 5 | GUARD, TANK | C11 | 27 | 4 | PIN, PISTON | C3 | 19 | 3 |
| BOLT, STUD, 5X56.5 | C10 | 26 | 6 | GUIDE COMP., UNDER AIR | C10 | 26 | 5 | PIN, SPRING, 4X10 | C2 | 18 | 23 |
| BOLT, STUD, B | C5 | 21 | 13 | GUIDE, AIR | C10 | 26 | 4 | PISTON | C3 | 19 | 2 |
| BOLT, TOP COVER | C13 | 29 | 2 | GUIDE, ROPE | C5 | 21 | 4 | PLATE ASSY., OIL OUTLET VALVE | C1 | 17 | 11 |
| [C] | | | | [H] | | | | PLUG, SPARK | C1 | 17 | 15 |
| CAP ASSY., FUEL TANK | C11 | 27 | 5 | HOUSING ASSY., CLUTCH | D1 | 33 | 2 | PULLEY COMP., CAMSHAFT | C4 | 20 | 3 |
| | | | | HOUSING, CLUTCH | D1 | 33 | 3 | PULLEY, RECOIL STARTER | C5 | 21 | 6 |
| CAP ASSY., OIL FILLER | C1 | 17 | 12 | [J] | | | | PUMP, PRIMER | C7 | 23 | 21 |
| CARBURETOR ASSY. | C7 | 23 | 23 | JET | C8 | 24 | 30 | [R] | | | |
| | C8 | 24 | 23 | [K] | | | | REEL, RECOIL STARTER | C5 | 21 | 3 |
| CASE COMP., AIR CLEANER | C9 | 25 | 2 | KNOB, RECOIL STARTER | C5 | 21 | 8 | RETAINER, VALVE SPRING | C4 | 20 | 8 |
| CASE, RECOIL STARTER | C5 | 21 | 2 | [L] | | | | RING SET, PISTON | C3 | 19 | 1 |
| CIRCLIP, EXTERNAL, 15MM | D1 | 33 | 12 | LABEL, CAUTION | C15 | 31 | 7 | RING, RETAINING | C7 | 23 | 13 |
| CIRCLIP, EXTERNAL, 30MM | D1 | 33 | 13 | | | | | ROLLER, 4X31.8 | C4 | 20 | 2 |
| CIRCLIP, INTERNAL, 35MM | D1 | 33 | 14 | | | | | ROPE, RECOIL STARTER | C5 | 21 | 9 |
| CLAMP, TUBE | C2 | 18 | 24 | | | | | RUBBER, TANK MOUNTING | C11 | 27 | 3 |
| | | | | | | | | [S] | | | |
| CLIP, HIGH TENSION CORD | C12 | 28 | 2 | | | | | SCREEN, INLET | C7 | 23 | 7 |
| CLIP, TUBE | C11 | 27 | 11 | | | | | | | | |
| CLUTCH ASSY. | C6 | 22 | 2 | | | | | | | | |
| COIL ASSY., IGNITION | C12 | 28 | 1 | | | | | | | | |
| COLLAR | C5 | 21 | 14 | | | | | | | | |
| COLLAR A, HEAD COVER | C5 | 21 | 15 | | | | | | | | |
| | C9 | 25 | 9 | | | | | | | | |

PART NAME INDEX

F 2

| Part name | Address | Page | Ref. | Part name | Address | Page | Ref. | Part name | Address | Page | Ref. |
|---------------------------------|---------|------|------|-----------|---------|------|------|-----------|---------|------|------|
| SCREW-WASHER, 5X10 | D1 | 33 | 10 | | | | | | | | |
| | | | 11 | | | | | | | | |
| SCREW, METERING LEVER PIN | C7 | 23 | 10 | | | | | | | | |
| SCREW, PAN, 4X8 | C1 | 17 | 18 | | | | | | | | |
| | C2 | 18 | 18 | | | | | | | | |
| | | | 19 | | | | | | | | |
| SCREW, PUMP COVER | C7 | 23 | 18 | | | | | | | | |
| SCREW, SETTING | C5 | 21 | 10 | | | | | | | | |
| SCREW, TAPPET ADJUSTING | C2 | 18 | 20 | | | | | | | | |
| SCREW, TAPPING, 4X6 | C10 | 26 | 8 | | | | | | | | |
| SCREW, THROTTLE COLLAR | C7 | 23 | 17 | | | | | | | | |
| SEAL, HEAD COVER | C1 | 17 | 3 | | | | | | | | |
| SEAL, VALVE STEM | C4 | 20 | 1 | | | | | | | | |
| SHROUD | C8 | 24 | 25 | | | | | | | | |
| SPRING, METERING LEVER | C7 | 23 | 9 | | | | | | | | |
| SPRING, PUMP | C7 | 23 | 19 | | | | | | | | |
| SPRING, RECOIL STARTER | C5 | 21 | 5 | | | | | | | | |
| SPRING, VALVE | C4 | 20 | 7 | | | | | | | | |
| STARTER ASSY., RECOIL | C5 | 21 | 1 | | | | | | | | |
| SWITCH ASSY., ENGINE STOP | D1 | 33 | 4 | | | | | | | | |
| SWIVEL | C7 | 23 | 16 | | | | | | | | |
| [T] | | | | | | | | | | | |
| TANK, FUEL | C11 | 27 | 2 | | | | | | | | |
| | | | 13 | | | | | | | | |
| TUBE A, FUEL | C11 | 27 | 18 | | | | | | | | |
| TUBE, BREATHER | C1 | 17 | 14 | | | | | | | | |
| TUBE, FUEL | C11 | 27 | 16 | | | | | | | | |
| TUBE, FUEL RETURN | C11 | 27 | 8 | | | | | | | | |
| | | | 17 | | | | | | | | |
| TUBE, FUEL TANK | C11 | 27 | 7 | | | | | | | | |
| TUBE, OIL | C1 | 17 | 10 | | | | | | | | |
| [V] | | | | | | | | | | | |
| VALVE, EX. | C4 | 20 | 6 | | | | | | | | |
| VALVE, INLET NEEDLE | C7 | 23 | 8 | | | | | | | | |
| VALVE, IN. | C4 | 20 | 5 | | | | | | | | |
| [W] | | | | | | | | | | | |
| WASHER | C7 | 23 | 20 | | | | | | | | |
| WASHER, 5MM | D1 | 33 | 8 | | | | | | | | |
| WASHER, CLUTCH | C6 | 22 | 4 | | | | | | | | |
| WASHER, WAVE | C6 | 22 | 5 | | | | | | | | |
| WRENCH, HEX., 4MM | C16 | 32 | 2 | | | | | | | | |
| WRENCH, PLUG | C16 | 32 | 1 | | | | | | | | |

1

FOREWORD INDEX

2

ENGINE GROUP

3

PART NUMBER INDEX

4

PART NAME INDEX

HONDA
The Power of Dreams

December 18, 2011



PARTS CATALOGUE NEWS

Honda Motor Co., Ltd.
Customer Service Technology Development Division

Printed in Japan

| | |
|----------------------------|----------|
| CODE NO. | 13Z3F602 |
| PARTS CATALOGUE NEWS | GX35T |
| NEWS NO. | 001 |

GX35T-SDC,SDSC,SDTC and SUTC types sales information

NOTE: This Parts Catalogue News explains only the parts of the different model that are produced to conform to addition of the GX35T-SDC,SDSC,SDTC and SUTC types.

As for the parts not listed on this Parts Catalogue News, use the parts of the GX35T-SD,SDS,SDT and SUT types.

BOOKNo. : 13Z3F602

• **Models, parts catalogue codes and applicable serial numbers**

| Model | Type | | Parts catalogue type | Applicable engine serial No. | Applicable carburetor identification No. |
|-------|------|-----------------|----------------------|------------------------------|--|
| GX35T | SD | Base type | SD | GCAMT-1000001~ | WYB 14B |
| | SDC | Additional type | SDC | | WYB 14D |
| | SDS | Base type | SDS | | WYB 14B |
| | SDSC | Additional type | SDSC | | WYB 14D |
| | SDT | Base type | SDT | | WYB 14B |
| | SDTC | Additional type | SDTC | | WYB 14D |
| | SUT | Base type | SUT | | WYB 15B/D |
| | SUTC | Additional type | SUTC | | WYB 15D |

| • Features of each type | | Base type | Additional type | Base type | Additional type | Base type | Additional type | Base type | Additional type |
|-------------------------|------------|-----------|-----------------|-----------|-----------------|-----------|-----------------|-----------|-----------------|
| Specifications | Model | GX35T | | | | | | | |
| | Type | SD | SDC | SDS | SDSC | SDT | SDTC | SUT | SUTC |
| | Tank guard | | | | | ● | ● | ● | ● |

PARTS CATALOGUE NEWS

BOOKNo. : 13Z3F602

| Block No. | Ref. No. | Part No. | Description | Reqd. QTY | | Base Part No. | Parts catalogue code |
|-----------|----------|---------------|--|---------------|--|---------------|-----------------------|
| | | | | GX 35 T | | | |
| E-7 | 2 | 13101-Z0Z-010 | PISTON..... | 1 | | 13101-Z0Z-000 | SDC, SDSC, SDTC, SUTC |
| | 4 | 13310-Z0Z-010 | CRANKSHAFT COMP..... | 1 | | 13310-Z0Z-000 | SDC, SDSC, SDTC, SUTC |
| E-10 | 4 | 14400-Z3F-013 | BELT, TIMING (76ZU6 G-310)..... | 1 | | 14400-Z3F-003 | SDC, SDSC, SDTC, SUTC |
| E-14 | 23 | 16100-Z0Z-815 | CARBURETOR ASSY. (WYB 14D)..... | 1 | | 16100-Z0Z-814 | SDC, SDSC, SDTC |
| E-15 | 3 | 17231-Z0Z-010 | COVER, AIR CLEANER..... | 1 | | 17231-Z0Z-000 | SDC, SDSC, SDTC, SUTC |
| E-19 | 1 | 30500-Z3F-013 | COIL ASSY., IGNITION..... | 1 | | 30500-Z3F-003 | SDC, SDSC, SDTC, SUTC |
| E-28 | 1 | 87114-ZH7-810 | LABEL, WARNING (NOT CERTIFIED FOR SALE) | 1 | | | SUTC |
| | 3 | | MARK, HONDA..... | 0 | | 87531-Z0Z-000 | SDC, SDTC, SUTC |
| | 10 | 87519-Z6J-000 | MARK, OPERATOR CAUTION (PICTOGRAPH) | 1 | | | SDC, SDSC, SDTC, SUTC |



PARTS CATALOGUE NEWS

Honda Motor Co., Ltd.
Customer Service Technology Development Division

PARTS CATALOGUE - CORRECTED

Printed in Japan

| | |
|----------------------|----------|
| CODE NO. | 13Z3F602 |
| PARTS CATALOGUE NEWS | GX35T |
| NEWS NO. | 002 |

| Block No. | Ref. No. | Note | Part No. | Description | Reqd. QTY | Serial No. | | Parts catalogue code |
|-----------|----------|------|---------------|-----------------|---------------|------------|-------|----------------------|
| | | | | | GX 35 T | | | |
| E-17 | 13 | T | 17511-Z6K-013 | TANK, FUEL..... | 1 | ----- | ----- | SAMS, SAW |
| | | A | 17511-Z6K-023 | | 1 | ----- | ----- | T4 |

NOTE A:PART NO. CHANGE D:NEWLY PROVIDED E:PART NO. DELETION K:REQUIRED NO. CORRECTION L:APPLICATION SERIAL NO. CORRECTION
M:PART DESCRIPTION CORRECTION T:APPLICATION CORRECTION Z:REMARKS CHANGE