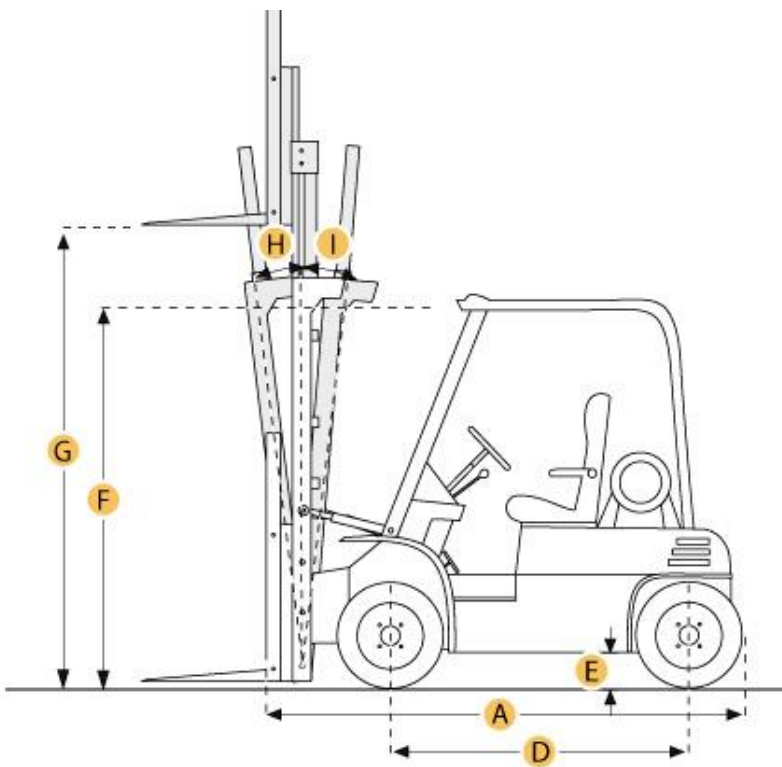
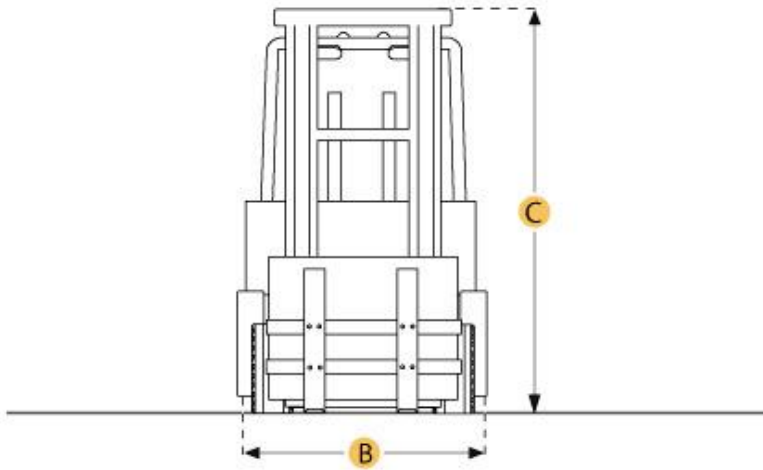


Clark C30D Forklift



Selected Dimensions

Dimensions

A. Length to Fork Face	8.8 ft in	2668 mm
B. Overall Width	4.1 ft in	1237 mm
C. Overall Height - mast lowered	7.2 ft in	2180 mm
D. Wheelbase	5.6 ft in	1700 mm
E. Ground Clearance	5.9 in	149.9 mm
F. Height to Top of Overhead Guard	7.2 ft in	2180 mm
G. Max Fork Height	15.7 ft in	4800 mm
MAST		
H. Mast Tip Forward	6 degrees	
I. Mast Tip Rear	5 degrees	

Specification

Engine		
Make	Yanmar	
Model	4TNV94	
Power	59 hp	44 kw
Torque	130 lb ft	176.3 Nm
Power Measured @	2500 rpm	
Displacement	171 cu in	2.8 L
Torque Measured @	1600 rpm	
Number of Cylinders	4	
Fuel Type	Diesel	
Operational		
Operating Weight	9786 lb	4438.9 kg
Tire Type	Pneumatic	
Number of Front Wheels	2	
Number of Rear Wheels	2	
Max Speed	12.7 mph	20.4 km/h
MAST		
Load Capacity	6000 lb	2721.6 kg
Load Center	24 in	609.6 mm
Number of Mast Sections	3	
Mast Tip Forward	6 degrees	
Mast Tip Rear	5 degrees	
Max Fork Spread	39 in	990.6 mm
Lift Speed	106 ft/min	32.3 m/min
Lower Speed	89 ft/min	27.1 m/min
Dimensions		
Length to Fork Face	8.8 ft in	2668 mm
Overall Width	4.1 ft in	1237 mm
Overall Height - mast lowered	7.2 ft in	2180 mm
Max Fork Height	15.7 ft in	4800 mm
Wheelbase	5.6 ft in	1700 mm
Turning Radius	7.9 ft in	2405 mm
Height to Top of Overhead Guard	7.2 ft in	2180 mm
Ground Clearance	5.9 in	149.9 mm
Right Angle Stack	9.5 ft in	2882 mm