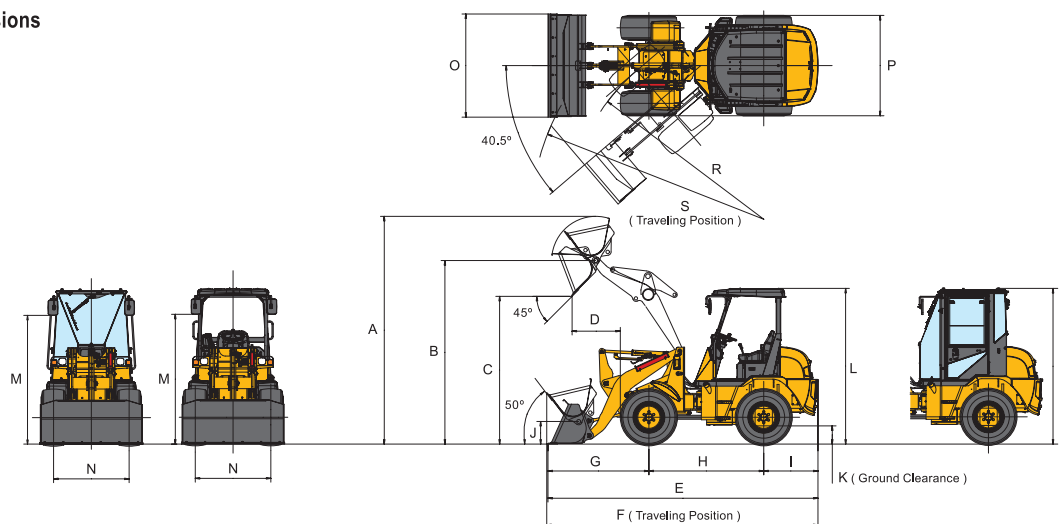


● Dimensions



(Unit:mm<ft-in>)

| | A | B | C | D | E | F | G | H | I | J | K | L | M | N | O | P | Q | R | S |
|------|-----------------|-----------------|-----------------|---------------|-----------------|-----------------|----------------|----------------|----------------|---------------|----------------|----------------|-----------------|----------------|----------------|----------------|----------------|-----------------|-----------------|
| V4-7 | 3730 <12'3"> | 3005 <9'10"> | 2420 <7'11"> | 790 <2'7"> | 4425 <14'6"> | 4450 <14'7"> | 1655 <5'5"> | 1880 <6'2"> | 890 <2'11"> | 370 <1'3"> | 295 <0'12"> | 2555 <8'5"> | 2115 <6'11"> | 1240 <4'1"> | 1690 <5'7"> | 1645 <5'5"> | 2545 <8'4"> | 3200 <10'6"> | 3805 <12'6"> |

Specifications

| Model | | V4-7 | |
|----------------------|--|---|---|
| Type | | CANOPY | CABIN |
| Engine | Type | Water-cooled 4-cyl. diesel engine | |
| | Model | 4TNV88C-NKAH | |
| | Output (Gross) | kW<hp> / min ⁻¹ | 30.5<40.9> / 2500 |
| | Output (NET) | kW<hp> / min ⁻¹ | 29.1<39.0> / 2500 |
| | Displacement | cm ³ <cu. in ³ > | 2189<133.6> |
| Performance | Bucket capacity, std. | m ³ <yd ³ > | 0.5<0.65> |
| | Operating load | kN<lb> | 11.3<2535> |
| | Lifting capacity at Low end / at MAX reach | kN (lb) | 33.1<7441> / 23.8<5350> |
| | Tipping load Straight / Full turn | kN (lb) | 27.0<6070> / 22.5<5058> |
| | Breakout force | kN (lb) | 24.5<5508> |
| | Dumping clearance | mm<ft-in> | 2420<7'11"> |
| | Traveling speed | km / h<mph> | 19.0<11.8> |
| | Oscillation angle | degree | ±8 |
| | Min. turning radius | mm<ft-in> | 3805<12'6"> |
| | Min. ground clearance | mm<ft-in> | 295<12"> |
| Electronic | Battery capacity (5 hours rate capacity) | Ah | 72 |
| | Generator capacity | V / A | 12 / 80 |
| Pto | Front Hyd.PTO Maximum flow | L<US gal> / min | 56<14.8> |
| | Set pressure | kPa<PSI> | 20590<3000> |
| Steering | Type | Center-pivot frame articulation with full hyd.power | |
| | Articulate angle | degree | 40.5 |
| Transmission | Type | Automatic hydrostatic | |
| Drives | Type | 4-wheel drive | |
| Wheels | Type | 15.5/60-18-8PR | |
| Brakes | Type | Fully enclosed, mechanical, wet, multiple disc | |
| Operating Weight | | kg<lb> | 3640<8025> 3865<8521> |
| Transport Dimensions | L×W×H | mm<ft-in> | 4425×1690×2555<14'6"×5'7"×8'5"> 4425×1690×2545<14'6"×5'7"×8'4"> |
| Filling Capacity | Fuel tank capacity | L<US gal> | 55<14.5> |
| | Engine oil | L<US gal> | 7.4<1.95> |
| | Hydraulic oil tank | L<US gal> | 52<13.7> |
| | Coolant | L<US gal> | 4.7<1.2> |
| | Front axle / Rear axle | L<US gal> | 7.5<2.0> / 9.5<2.5> |

Please note that the standard equipment may vary from this list. Consult your Yanmar dealer for confirmation

YANMAR CONSTRUCTION EQUIPMENT CO., LTD.

All data subject to change without notice.

Promotion Group
Sales Planning Dept.
Marketing & Sales Dept.
1717-1, Oaza Kumano, Chikugo, Fukuoka 833-0055, Japan
TEL. +81-942-70-8992
FAX +81-942-53-6855
yanmar.com