



SW652-1

Vibratory Tandem Roller

Efficient compaction with various vibratory modes

Sakai patented compaction technologies

- SW652-1/-1K, standard model features 4,020vpm high frequency vibration by which can efficiently achieve the density faster and create smoother hot mix asphalt (HMA) mat.
- "B model", split drum type is also equipped with high frequency vibration and is easy to operate in the tight corner without pushing or shoving the material.
- On "ND model", oscillatory or circular (normal) vibration is selected by switch at operator station depending on the job conditions. The oscillatory vibration is good for thin lift and the circular vibration is effective for thick layer compaction.

Operators comfort

- Full view over drum surface, drum edge and sprinkler nozzles.
- Auto shut-off of water sprinkler when the Forward & Reverse lever is in the neutral position.
- Patented dual water pump system for increased reliability.

High safety standards

- 1 m × 1 m visibility.
- Emergency brake pedal is standard.

Easy Maintenance

- Rugged articulated centre-pin joint.
- Long life Sakai patented rubber isolators for drums.
- Sprinkler system with anti-clog package, i.e., a plastic water tank, triple-protection filtration, etc., and with perfect draining winterization.
- KUBOTA V3307 engine features OHV4 valve and Turbo that maintains output even at high elevations.



SW652B-1



SW652ND-1



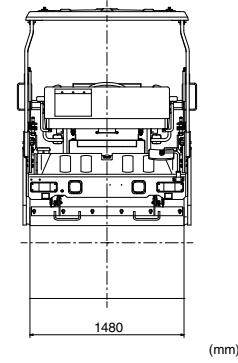
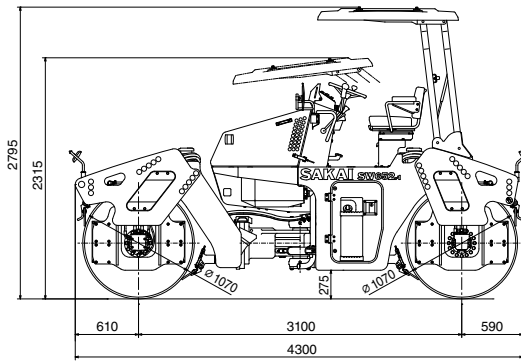
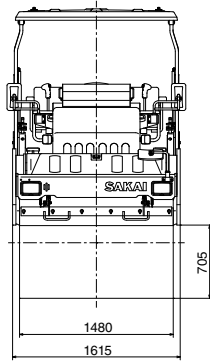
SW652H-1

If you need any technical or service parts support on our products, please contact this web page.



www.sakainet.co.jp/english/

SW652-1 SW652-1K Series



TYPE		Vibratory Tandem Roller			
MODEL		SW652-1	SW652B-1	SW652H-1	SW652ND-1
CHASSIS MODEL		SW652-1K	SW652B-1K	SW652H-1K	SW652ND-1K
WEIGHTS		1SW47 [SW652-1 Series]			
Operating weight (with AWNING)		1SW52 [SW652-1K Series]			
kg (lb)		7,100 (15,650)	8,000 (17,640)	7,400 (16,310)	
kg (lb)	Empty weight (with AWNING)	6,500 (14,330)	7,400 (16,310)	6,800 (14,990)	
kg (lb)	Load on front axle (operating weight with AWNING)	3,450 (7,605)	3,900 (8,600)	3,600 (7,935)	
kg (lb)	Load on rear axle (operating weight with AWNING)	3,650 (8,045)	4,100 (9,040)	3,800 (8,375)	
PERFORMANCE					
kN (lb)	Centrifugal force (L / H)	62 / 69 (13,940 / 15,510)	61 / 67 (13,715 / 15,060)	62 / 69 (13,940 / 15,510)	(Vib. / Osc.) 68 / 124 (15,285 / 27,875)
Hz (rpm)	Frequency (L / H)	67 / 50 (4,020 / 3,000)			
mm (in)	Amplitude (L / H)	0.3 / 0.5 (0.012 / 0.020)	0.2 / 0.4 (0.008 / 0.016)		(Vib. / Osc.) 49 / 49 (2,940 / 2,940)
N/cm (lb/in)	Dynamic linear pressure for front roll (operating weight with AWNING)	647 / 695 (373 / 400)	670 / 711 (386 / 409)	677 / 724 (390 / 417)	(Vib. / Osc.) 0.5 / 0.7 (0.020 / 0.028)
N/cm (lb/in)	Dynamic linear pressure for rear roll (operating weight with AWNING)	661 / 708 (380 / 408)	684 / 724 (394 / 417)	690 / 738 (398 / 425)	(Vib.) 711 (410)
	No. of speeds	6			
km/h (mph)	Speed range (Forward & Reverse) (L/H)	0 - 2, 0 - 4, 0 - 6 / 0 - 4, 0 - 8, 0 - 13 (0 - 1.2, 0 - 2.5, 0 - 3.7 / 0 - 2.5, 0 - 5, 0 - 8.1)			
% (°)	Gradability	34 (19)	29 (16)	32 (18)	
m (in)	Min. turn radius (outer)	5.1 (201)			
DIMENSIONS					
mm (in)	Overall length	4,300 (169)			
mm (in)	Overall width	1,615 (64)			
mm (in)	Overall height (with AWNING)	2,795 (110)	2,805 (110)	2,795 (110)	
mm (in)	Wheelbase	3,100 (122)			
mm (in)	Compaction width	1,480 (58)			
mm (in)	Drum diameter / Drum width	1,070 / 1,480 (42 / 58)	1,087 / 1,480 (43 / 58)	1,070 / 1,480 (42 / 58)	
mm (in)	Ground clearance	275 (11.0)	284 (11.1)	275 (11.0)	
mm (in)	Curb clearance	705 (27.8)	714 (28.1)	705 (27.8)	
mm (in)	Side clearance	67.5 (2.7)			
ENGINE		KUBOTA			
Make		KUBOTA			
Model		V3307 - DI - T - KDN (Interim Tier4) [SW652-1 Series]			
Type		V3307 - DI - T - E2B - RRS1 [SW652-1K Series]			
Displacement		Diesel, Water - cooled, 4 cycle, 4 cylinder, direct injection type with turbo charger			
L (cu.in)		3.331 (203)			
kW (HP)/min ⁻¹	Rated output	55.4 (74) / 2,200			
V (V/Ah× Qty)	Electric system battery	12 (12 / 72 × 1)			
V/A	Electric system alternator	12 / 80			
POWER LINE		Hydrostatic transmission			
Transmission		Hydrostatic			
Type		Hydraulic			
Drive wheel		All wheel			
VIBRATION SYSTEM		Hydrostatic			
Drive		Hydrostatic			
Amplitude control		2		(Vib. / Osc.) 1 / 1	
Vibrator		Eccentric shaft type			
BRAKE SYSTEM		Hydrostatic dynamic brake through drive system / FNR Lever			
Service [working]		Hydrostatic + Spring-applied hydraulically released (SAHR) / Brake pedal			
Secondary [emergency]		SAHR / Panel button			
Parking [parking]		SAHR / Panel button			
STEERING SYSTEM		Hydraulic type (Articulated type)			
Type		Hydraulic type (Articulated type)			
Articulation / Oscillation (+/-)		39 / 9.0			
FLUID CAPACITY		120 (32)			
L (gal)	Fuel tank	51 (13.5)			
L (gal)	Hydraulic tank	300 (79) × 2			
L (gal)	Sprinkler tank				

● Operating Weight : 100%Fuel, 100% Water, no Operator. ● Specifications are subject change without notice.
 ● Above specified numbers could be deviated within ±5%. ● All units are SI units. Inside of () is for reference units.
 ● Vib. / Osc. : Vibration / Oscillation

※ Engine meets EPA standards for SW652-1 series.
 ※ Using low quality fuel may cause engine failure.

Standard Equipment :

- Instrument ● Gauges ● Scrapers for both directions ● Back up alarm ● Horn ● AWNING
- Sliding seat ● Head light ● Working light ● Turn signal lamp ● Mirrors
- Independent vibration control ● Pressurized water sprinkler system
- Intermittent water spray timer ● 4 points lifting

Optional Equipment :

- ROPS CANOPY ● Side sliding seat ● Rotary lamp ● CCV

ISO 9001
 BUREAU VERITAS
 Certification

SAKAI HEAVY INDUSTRIES, LTD. obtain the certification of quality management system ISO9001.

SAKAI HEAVY INDUSTRIES, LTD.

HEAD OFFICE: 1-4-8, SHIBA DAIMON, MINATO-KU, TOKYO JAPAN
 TELEPHONE: +81-3-3431-9971
 FACSIMILE: +81-3-3436-6212