



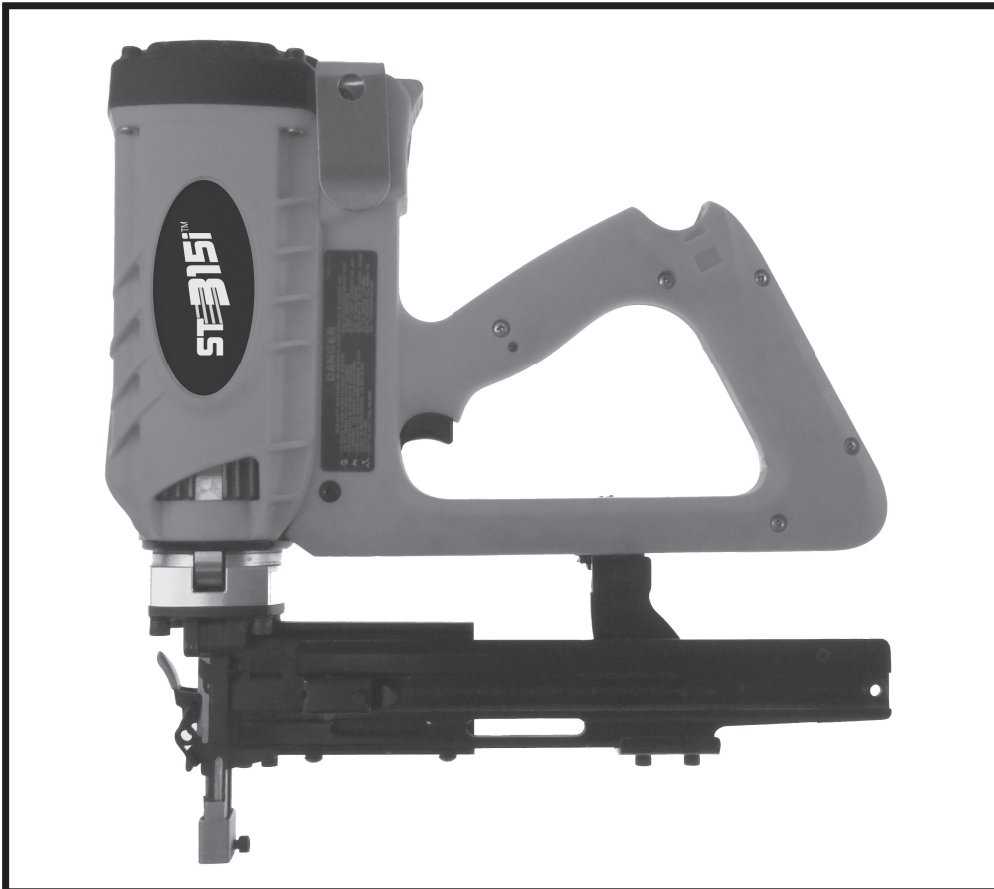
DANGER



**READ AND OBEY ALL SAFETY AND OPERATING
INSTRUCTIONS BEFORE OPERATING TOOL.**

STOCKade®

**IMPULSE® ST-315i FENCING STAPLER
OPERATOR'S SAFETY & OPERATING
INSTRUCTION MANUAL**



**GAS POWERED, LOW VELOCITY
PISTON TYPE FASTENING TOOL**

TABLE OF CONTENTS / INTRODUCTION

| | |
|---|-------|
| Introduction | 2 |
| An Overview of the Impulse ST-315i Tool | 3 |
| Safety Instructions | 4-6 |
| Battery and Charging System | 7-8 |
| Fuel Cell..... | 9-10 |
| Preparing and Use of the Impulse ST-315i Tool | 11 |
| Servicing | 12-13 |
| Maintenance and Troubleshooting..... | 14-16 |
| Warranty | 17 |

ST-315i TOOL OPERATING MANUAL

This manual is intended to acquaint you with the STOCK-ade® ST-315i tool. Unlike other power fastening tools, the ST-315i tool is powered by a linear internal combustion motor. In simpler terms, your ST-315i tool is powered by a motor similar to the one that powers an automobile. The tool ignites a fuel and air mixture to produce the energy to drive the motor, which in turn drives the fastener. As you will see, the ST-315i tool is totally self-contained. It carries its own fuel supply and battery, along with a supply of fasteners.

For ease of use, this manual is divided into sections (see Table of Contents). Each section of the manual is written with you, the tool operator, in mind. We have left out all of the technical terms so that you can readily understand how to get the maximum performance from your ST-315i tool, and how to avoid damaging the tool or injuring yourself. But, to accomplish this, we need you to do two things:

- 1. READ THE MANUAL FROM COVER TO COVER BEFORE USING THE TOOL.**
- 2. FOLLOW ALL INSTRUCTIONS IN THE MANUAL.**

The ST315i tool should be handled like other power fastening tools that you use. When used properly, it will meet your fastening needs. And, like most of your tools, when used improperly it can cause injury. If you are going to allow others to use the ST-315i tool, it is your responsibility to make sure that they also read and comply with the instructions in this manual before attempting to operate the tool.

Should you have questions about the ST-315i system, or wish to obtain additional copies of this manual, please feel free to contact your STOCK-ade® Distributor Sales Representative.

AN OVERVIEW OF THE ST-315i TOOL

DESCRIPTION

The ST-315i tool is a self-contained, fully portable tool that uses liquid hydrocarbon fuel to power a unique linear drive internal combustion motor.

In order for you to fully understand the information contained in this manual, you need a basic understanding of the tool. As you can see in the illustration below, the ST-315i tool is made up of three assemblies: the Handle, the Motor, and the Magazine.

As you examine the ST-315i tool, become familiar with the three major assemblies and the various components located in each of them.

The Handle Assembly contains the Fuel Cell, the Battery Voltage Indicator Light, Battery and the Trigger.

The Motor Assembly contains the Cover and Filter, the Motor Housing, and the nose assembly.

The Magazine Assembly contains the Magazine, follower assembly, and bracket.

SPECIFICATIONS

Dimension: Height 15 inches / 381mm
Length 15 inches / 381mm

Weight: 7.9 pounds / 3.6 kg

Cycle Rate: Intermittent Operation 2 to 3 staples per second. Continuous Operation 1000 staples per hour.

NOTE: Exceeding these rates could cause the tool to overheat, resulting in loss of performance or damage to tool components.

By using the ST-315i tool at its recommended operation rate you will be able to drive several thousand fasteners in a typical workday.

Maximum Fastener Length:

40mm

Magazine Capacity: 52 staples. (Two Strips)

Battery: 6 volts D.C. —Provides enough energy to drive approximately 3000 fasteners on one charge.

Fuel Cell: Liquid hydrocarbon—Provides enough fuel to drive up to 1000 fasteners.



AN OVERVIEW OF THE ST-315i TOOL

SAFETY INSTRUCTIONS

The following safety instructions have been included in this manual to provide you with basic information necessary for safe operation of the ST-315i tool.

In addition to these instructions, additional training may be necessary, depending upon the type of fastening you wish to do. Contact your distributor representative for additional information.



⚠ DANGER ⚠

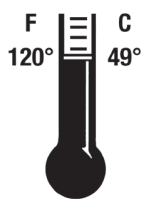
Do not attempt to operate this tool until you have read and understood all safety precautions and manual instructions.

Failure to follow all safety precautions and instructions may result in a permanent loss of vision, serious personal or even fatal injury, property damage and/or tool damage.



The ST-315i Tool is an internal combustion device. It produces hot exhaust gases that may ignite flammable materials.

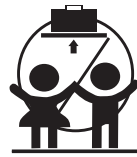
This tool must not be used in a combustible environment or in the presence of combustible materials, such as flammable chemicals, adhesives, gasoline, or solvents.



Do not expose the tool to temperatures in excess of 120°F (49°C). Fuel and/or the battery may burst, releasing flammable gas.



This tool must be operated only in a well-ventilated environment, because the tool exhausts carbon monoxide similar to a gas chain saw or lawnmower. Exposure to carbon monoxide may cause dizziness, nausea, or unconsciousness.



ALWAYS keep the ST-315i Tool, fuel cell, battery and battery charger out of the reach of children.

1. READ THIS MANUAL FROM COVER TO COVER.

Always turn to this manual for information about the safe operation and servicing of the ST-315i tool. If any portion seems unclear, or you have any questions, contact your Distributor Representative immediately.

2. WEAR EYE AND HEARING PROTECTION.

Always wear hearing and eye protection devices when you are operating the ST-315i tool or working in the vicinity of this tool. Also, your eye protection must meet the requirement of ANSI Standard Z87, and should have side shields for increased protection.



3. NEVER ASSUME THE TOOL IS EMPTY.

Every time you pick up the ST-315i tool, check the Magazine for fasteners. Never point the tool at anyone or yourself, even if you are absolutely sure there are no fasteners in the tool. The fastener you did not see is the fastener that can injure you or someone else.

4. NEVER ENGAGE IN "HORSEPLAY" WITH THE TOOL.

The ST-315i tool is not a toy. . . it is a power fastening tool. It is designed to drive a fastener into wood base material. To accomplish this task, it generates a tremendous amount of energy.

fooling around, even when you are absolutely sure there are no fasteners in the tool, is asking for an accident.

SAFETY INSTRUCTIONS

SAFETY INSTRUCTIONS

5. NEVER CARRY THE TOOL WITH YOUR FINGER ON, OR DEPRESSING, THE TRIGGER.

You must remember that the tool operates in a specific sequence. The work contacting element acts as an operating feature that blocks the trigger from completing the ignition circuit.

Should you unintentionally depress the work contacting element while pulling the trigger as you are carrying the tool.....it could discharge a fastener.

6. NEVER OPERATE A TOOL THAT IS

MALFUNCTIONING. If you determine that the tool is not working properly, and the problem is more than a simple fastener jam, stop using it immediately and refer to the Servicing Section of this manual. If the problem cannot be corrected with one of the steps covered in the Servicing Section, report the problem to your supervisor or distributor representative.

Do not attempt to make any additional repairs to the ST-315i tool.

7. OPERATE THE TOOL ONLY ON THE WORK SURFACE.

The tool should be operated only when it is in contact with the work surface. Always hold the tool firmly and perpendicular against the surface to be fastened.



8. DO NOT LOAD FASTENERS WITH THE TRIGGER OR WORK CONTACT DEPRESSED.

When loading fasteners into the ST-315i tool, you must avoid pulling the trigger or while having the WORK CONTACT ELEMENT depressed. When the tool is placed on a bench or other surface, the work contact might be depressed. When you are loading fasteners, you could accidentally pull the trigger by grasping the handle to steady the tool. These two actions will cause the tool to operate, discharging a fastener.

9. FASTENER REMOVAL OR CLEARING JAMS.

With the tool pointed away from you and others, pull back on the follower on the magazine until it locks in the rear position.

Remove all staples.

If needed, unlatch cover assembly and remove.

Clear all jammed staples.

Refer to the Servicing Section of this manual.

10. NEVER ATTEMPT TO OPERATE THE ST-315i TOOL IF PARTS ARE LOOSE, DAMAGED, OR MISSING.

Make sure all screws and nuts are properly tightened and all parts are properly installed and in good working order. If parts are missing, don't attempt to make temporary repairs...contact your Sales Representative immediately.

11. NEVER DRIVE FASTENERS ON TOP OF OTHER FASTENERS OR TOO CLOSE TO OTHER FASTENERS.

Fastening on top of or too close to other fasteners can cause the fastener to ricochet and cause serious injury. Fasten only in areas where the entire shank can penetrate.

12. NEVER FIRE INTO VERY HARD OR BRITTLE MATERIALS SUCH AS CAST IRON, TILE, GLASS, OR ROCK.

These materials can shatter, causing sharp fragments and/or the fastener to fly freely.

SAFETY INSTRUCTIONS

13. NEVER CARRY FASTENERS OR OTHER HARD OBJECTS IN THE SAME POCKET OR CONTAINER WITH FUEL CELL. The Fuel Cell could be punctured, causing serious injury.

14. NEVER ALLOW ANYONE TO USE THE ST-315i TOOL UNLESS THEY READ AND UNDERSTAND THE TOOL MANUAL AND ALL SAFETY INSTRUCTIONS. It is the tool owner's responsibility to make sure that all tool users read and fully understand all tool operation, safety and maintenance instructions.

15. FUEL CELL STORAGE.

Fuel Cells contain flammable gases which are under pressure and must be stored in an area where they will not be exposed to an open flame, sparks, or temperatures above 120°

Fahrenheit (49° Centigrade). Exposure to temperatures above 120°F (49°C) may cause the Fuel Cells to leak or burst, releasing the flammable gases and creating a risk of fire or explosion.



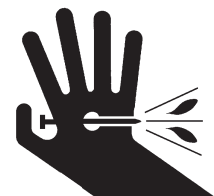
16. FUEL CELL DISPOSAL. Never attempt to puncture, crush, burn or refill a Fuel Cell. Always dispose of empty cells with trash that will not be burned. Also, never place the Fuel Cell with other materials for reclamation or recycling.

17. TOOL STORAGE. At the end of every workday, remove the Battery and store it in the carrying case. Recharge the Battery only if required as indicated by a red charge light in the handle.

18. KEEP THE TOOL CLEAN. At the end of each workday, take a minute to wipe the tool with a clean rag. A dirty tool is more likely to jam or malfunction.

19. NEVER PLACE YOUR HAND OR FINGERS OVER THE NOSE OF THE TOOL.

The fastener or piston can seriously injure your hand in the event of an accidental discharge.



SAFETY INSTRUCTIONS

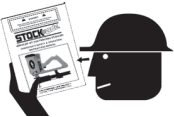
THE BATTERY AND CHARGING SYSTEM

BATTERY AND CHARGER

The first step in preparing a new tool for operation is to fully charge the new Battery. New Batteries are shipped discharged and must be charged for 24 hours before first use. All subsequent charges will require at most a 2 hour charge.



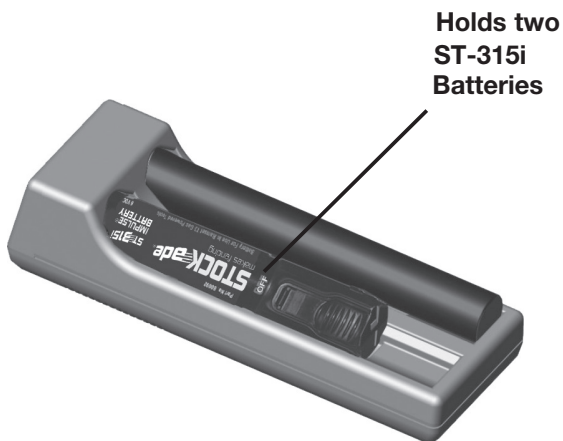
Important Charging Notes



CHEMICAL/EXPLOSION HAZARD Read ALL instructions before charging or using battery.

Failure to follow ALL instructions may result in fire, severe burns, or release of toxic materials.

Battery Disposal: The EPA certified RBRCQ® Battery Recycling Seal on the nickel-cadium (Ni-Cd) battery indicates Stockade is voluntarily participating in an industry program to collect and recycle these batteries at the end of their useful life, when taken out of service in the United States or Canada. The RBRCQ® program provides a convenient alternative to placing used Ni-Cd batteries into the trash or the municipal waste stream, which may be illegal in your area. Please call 1-800-8-BATTERY™ (1-800-822-8837) for information on Ni-Cd battery recycling and disposal in your area. STOCK-ade's involvement in this program is part of our commitment to preserving our environment and conserving our natural resources.



Battery Charger

CHARGING INSTRUCTIONS

1. Connect the round plug of the wall mount unit to the front of the charger base and plug the wall mount unit into any 120V AC or 240V AC outlet depending on your location. A LED by the plug indicates the base unit has power.
2. Set the charger base on a stable surface and insert the battery or batteries, contact first, into the opening of the charger base.
3. The charger incorporates a charge level indicator to inform the user of the battery charge level.

A red light will illuminate at all times during a charge cycle.

One green light

= battery at 50% capacity

Two green lights

= battery at 75% capacity

Three green lights

= battery at FULL capacity

The red light will not be lit when the battery is at full charge.

CHARGING DON'T'S

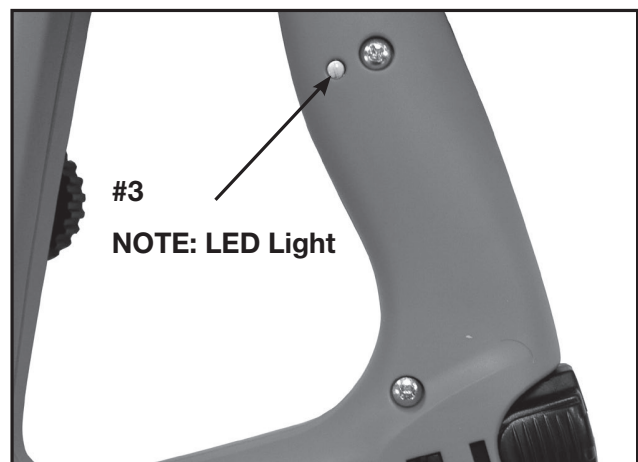
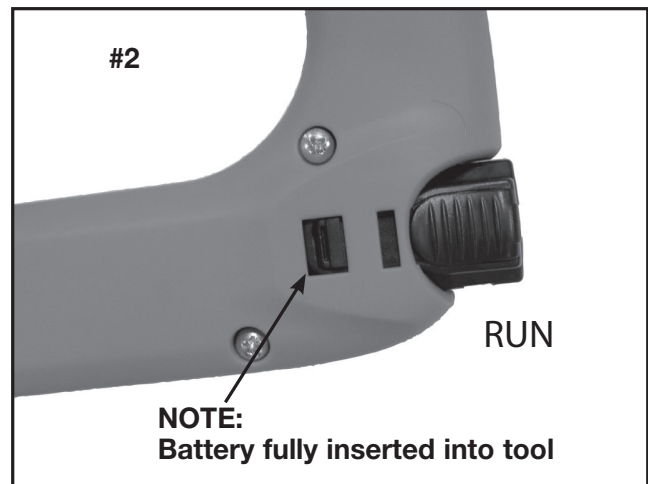
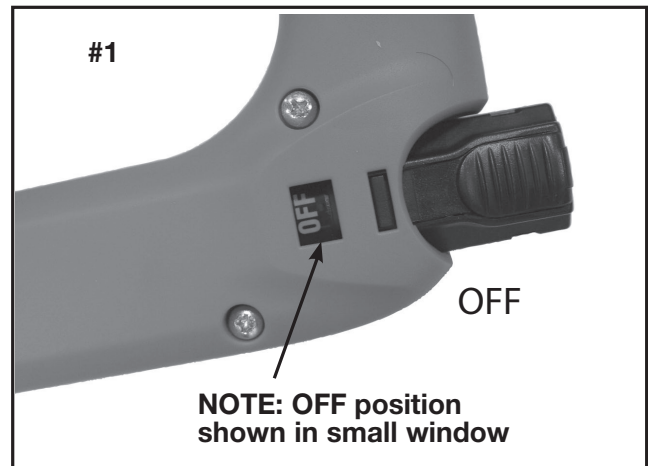
- Do not charge battery when temperature is below 40°F (5°C).
- Do not drop battery or charger.
- Do not allow metal objects to come in contact with battery terminals.
- Do not puncture or attempt to open battery case or cells.
- Do not store battery where it will be subjected to temperatures above 120°F (49°C).
- Do not incinerate battery.
- Do not use a defective battery charger, one that overheats and/or smokes when plugged in.

THE BATTERY AND CHARGING SYSTEM

THE BATTERY AND CHARGING SYSTEM

INSTALLING THE BATTERY

- Insert the battery into the tool as shown on the right with the clip facing out.
- The battery has two positions in the tool:
 1. The **“OFF”** position-as shown in picture #1 to the right.
 2. The **“RUN”** position-as shown in picture to the right.
- To operate the tool be sure the battery is fully inserted into the tool. After installing the battery, note the LED light on the right side of the handle.
- If the light flashes green, the tool is powered.
- If the light flashes red, the battery requires charging.
- If the light is solid green and the fan is running, the tool is ready to take the next shot.
- If the light is solid red, and the fan is not on the battery need to be recharged.
- If the tool will not be used for a short period of time, click the battery back into the **“OFF”** position. This will prevent the tool from being fired.
- If the tool will not be used for extended periods of time, remove the battery and store in the tool case.



THE BATTERY AND CHARGING SYSTEM

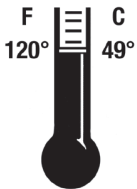
Fuel Cell

**EXPLOSION/FIRE HAZARD**

Read ALL safety instructions before using or handling the fuel cell. Failure to follow ALL instructions may result in explosion or fire. This may cause severe personal injuries or property damage.



Keep the fuel cell away from heat, sparks and open flame.



Exposure to temperatures above 120°F (49°C) may cause the fuel cell to burst, releasing flammable gas.



- **Sunlight can raise the inside temperature of an unventilated truck or van to above 140°F (60°C).**
- **Do not puncture or attempt to open the fuel cell; it is non-refillable.**
- **Do not incinerate, reclaim or recycle the fuel cell.**
- **Do not smoke while installing or removing the fuel cell.**
- **Do not inhale the spray.**
- **Keep out of the reach of children.**
- **Store fuel cell(s) in well-ventilated areas only.**

There is a second container inside the fuel cell. The inner container holds the fuel. The space between the inner container and the outer cylinder is filled with a gas, called the propellant, which is under pressure.

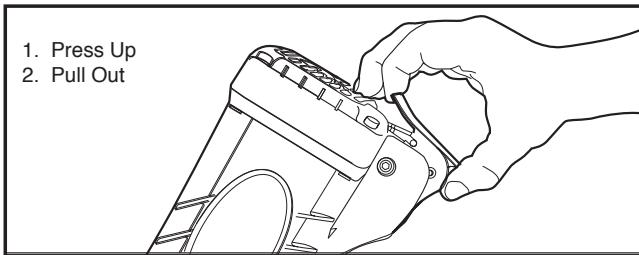
To eject the fuel, propellant pressure squeezes the inner fuel container, much as you squeeze a tube of toothpaste. This squeezing action ensures that all the fuel is used, and that the ST-315i tool can operate in any position.

Because of this container-within-a-container design, you might hear the sound of fluid when shaking the fuel cell after all the fuel has been used. This is the propellant, which remains between the containers even after all the fuel has been expelled.

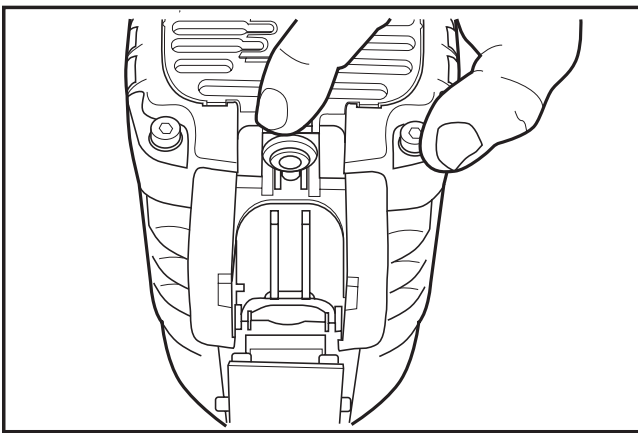
If you expose the empty fuel cell to extreme temperatures, the propellant gas will expand and could cause the container to burst, releasing flammable gases.

FUEL CELL

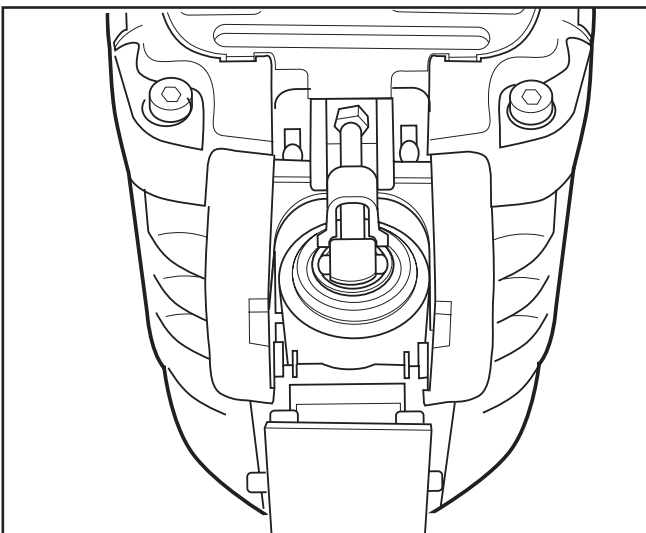
INSERTING FUEL CELL



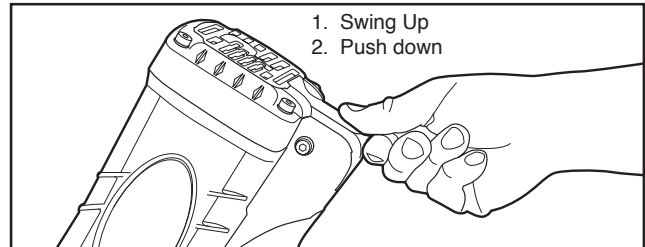
Lift the fuel cartridge adaptor and insert the fuel cartridge into the tool.



Release the adaptor so it is centered on the fuel cartridge.



You complete the loading of Fuel Cell in the ST315i tool by closing the Actuator Cover. You do this by swinging it up and over the Fuel Cell Assembly and pushing down until the Actuator Cover snaps into position.



OUTDOOR WEATHER AND THE ST 315i TOOL

Use the tool outdoors, in clear weather, When the Tool, Fuel Cell, and Battery are between 20°F (-7°C) and 120°F (49°C). Colder temperatures may damage the Tool and Battery. Hotter temperatures may damage the Tool and Fuel Cell. Fuel should be stored out of direct sunlight in surroundings less than 120°F (49°C). After extended periods of continuous use, cool the Tool by running the Fan Motor.

Operation when the Tool is less than 20°F (-7°C) may damage the tool Fuel Cells at cold temperatures lose the required propellant force. Bring the Tool, Battery, and Fuel Cell above minimum operating temperature without direct exposure to flame, and check the Battery.

CAUTION

The ST315i tool should not be used in the rain or where excessive moisture is present. These conditions may result in damage to tool components and cause tool to malfunction.

FUEL CELL

PREPARING AND USE OF ST315i TOOL

FASTENERS

The ST315i tool can drive only STOCK-ade® fasteners. Any other fastener will cause tool damage and void your warranty.

LOADING FASTENERS

1. Pull the follower back on the rail of the magazine until it locks in the rear position.
2. Insert the fence batten staples onto the magazine rail.
3. Control the release of the follower and gently allow it to move forward until it contacts the staples.
4. You are now ready to start driving staples.

TOOL OPERATION

Proper technique assures smooth operation of the tool. Three easy steps to actuated the tool are:



1. ENGAGE THE TOOL

PLACE the ST315i ADJUSTABLE NOSEPIECE AGAINST WORK SURFACE. Then press down to close tool.

Fan Motor will turn on, LED will be steady green. Fuel is injected into the Combustion Chamber and mixed with air by the Fan.

2. SQUEEZE THE TRIGGER The Spark Plug sparks and fuel/air mixture ignites. Combustion powers the Piston Assembly, driving the fastener.

3. RELEASE TRIGGER - LIFT THE TOOL

The Combustion Chamber opens. Fan exhausts hot gases and cools internal components.

NOTE: If no additional cycles are made, fan will run for 7 seconds and then shut off.

TO PREVENT UNINTENTIONAL TOOL OPERATION, AND POSSIBLE INJURY TO YOURSELF OR ANYONE IN THE WORKING AREA, BE SURE TO RELEASE THE TRIGGER AS SOON AS YOU HAVE FINISHED DRIVING FASTENERS. NEVER PRESS THE ADJUSTABLE NOSEPIECE AGAINST ANY OBJECT EXCEPT THE MATERIAL TO BE FASTENED.

DEPTH OF DRIVE

It is recommended that the operator test fire the tool for depth of staple drive on waste timber prior to commencing work. Depress the work contact element and squeeze the trigger. Note the depth of drive.

ADJUST THE DEPTH OF DRIVE

REMOVE BATTERY AND FUEL FROM THE TOOL BEFORE MAKING ANY ADJUSTMENTS.

Loosen the adjustment socket headed cap screw located near the tip of the work contacting element.

INCREASE THE DEPTH OF DRIVE

Slide the work contact element towards the body of the tool to increase the depth of drive.

DECREASE THE DEPTH OF DRIVE

Slide the work contact element away from the body of the tool to decrease the depth of drive.

SERVICING

Field service should be restricted to the following:

- CHECKING THE ENERGY LEVEL OF THE BATTERY
- RECHARGING THE BATTERY
- CHECKING THE FUEL CELL AND EXPIRATION DATE.
- REPLACING THE FUEL CELL
- CLEANING THE AIR FILTERS
- CLEARING A JAM

Attempts to go beyond these procedures could result in serious personal injury or damage to the ST315i tool and voiding of the warranty.

There are certain problems that you may encounter when you are using the ST315i tool that you will be able to correct on the work site. The following field service procedures are the only service procedures you should attempt. Anything else that may appear wrong with the tool should only be diagnosed and repaired by a fully trained service technician. If you have any reason to believe that your problem is beyond the service procedures in this manual, contact your Sales Representative immediately.



Never attempt any maintenance of the ST315i tool without first removing the Fuel Cell, Battery and Fasteners. Maintenance should only be started after the tool is completely inoperative.

BATTERY CHECK

Periodically check on the LED Battery Voltage Indicator Light—the LED in the Handle of the ST315i tool. When encountering a problem, the first step should always be to make sure the Battery has enough energy to operate the tool.

If the light is red, recharge the Battery. If the light is glowing green, indicating that the Battery is charged, check the ignition system.

FUEL CELL CHECK

Another typical service condition will occur when the Fuel Cell becomes empty. A typical symptom will be when the tool's Fan operates and the LED is green, but the tool does not drive fasteners completely. In this case, take the Fuel Cell out of the tool, check to see if the Fuel Cell still contains fuel and is within the expiration date.

To determine if there is any fuel left in the Fuel Cell simply place the Metering Stem against a solid object, and gently push about three or four times. A small amount of fuel should be released each time. Never perform this test near an open flame or sparks, while smoking, or where the Fuel may get into your eyes. If fuel is not released with each operation of the Metering Valve, there is no more fuel left in the cylinder and it must be replaced. Dispose of the empty Fuel Cell properly.

AIR FILTER

Remove the grille from the cap and remove the filter. The Air Filter simply lift out. Tap the filter GENTLY to remove any dust. You should check and clean the Air Filter every two days.

SERVICING

CLEARING A JAM

A typical problem you may encounter is having a jammed fastener. Because of the unique design of the ST315i tool, clearing a jammed fastener is easy. Damage to parts and/or excessive accumulation of dirt are principle causes of jams. If a jam should occur, proceed as follows:

1. Remove the battery and fuel cell.
2. Pull the follower back on the magazine until it locks in the rear position.
3. Remove all fasteners.
(If needed, unlatch the cover assembly and remove.)
4. Clear all jammed fasteners.
5. If the tool continues to jam, or you cannot clear a particularly difficult jam, have it serviced by an Authorized STOCK-ade® Distributor.

If you find that the tool's Fan does not operate after clearing a jam:

Check the condition of your Battery.

If the Handle LED indicator emits a constant red glow when depressing the tool, recharge the Battery.

MAINTENANCE

COLD WEATHER OPERATING PRECAUTIONS

Keep the tool in a warm area until you are ready to use it. If the tool is already cold, bring it into a warm area, and allow it to warm up before using it.

DO NOT OPERATE THE TOOL WHEN IT IS COLD UNLESS FASTENERS ARE BEING DRIVEN INTO A WORKPIECE.

EXTERNAL CLEANING

The external parts may be cleaned as follows:

1. Remove the battery and fuel cell.

2. Pull the follower back and remove all fasteners.
3. Remove all dirt and grit from the magazine and nose of the tool.
4. Clean the outside of the tool using a soft cloth and a mild degreasant like paraffin.



Never use highly volatile solvents such as gasoline to clean the tool. Do not allow any solvent to enter the interior of the tool. Solvents may cause O-rings to deteriorate, and possibly swell, causing a tool to malfunction, and creating a possible safety hazard.

-
5. Important: It is extremely important for safety reasons that all dirt and foreign materials be removed from around the Work Contacting Element. The Work Contacting Element must be free to move in and out without sticking or binding. The Magazine and Work Contact Element are all designed to operate without lubrication.

MALFUNCTIONS

Be alert for tool problems. A malfunctioning tool must be immediately withdrawn from use and not used again until it has been repaired by a qualified service technician. Operating a tool which malfunctions is unsafe. Stop using the tool, and have it repaired.

SERVICE AND REPAIR

Except as specifically described in other sections of this manual, this tool must not be disassembled, serviced, repaired, or reassembled by anyone except qualified service personnel. Incorrect servicing, repairs and assembly of this tool may result in serious injury to the user and/or damage to the tool. Please contact your local STOCK-ade® sales person, or authorized Distributor for assistance and repair.

MAINTENANCE

END-OF-WORKDAY ROUTINE

At the end of each workday, conduct an end-of-workday routine. These simple steps are based on maintaining the safety and operational efficiency of the ST315i tool.

Before you leave the worksite:

1. Remove the Battery and store in the tool case. Always use the tool case for transporting and storing the tool.
2. Dispose of all empty Fuel Cells. Remember to dispose of these cells where they will not be found by children, crushed, punctured, or burned.
3. Place the Battery in its Charger only if it needs charging as indicated by the red charge light in the handle.
4. Wipe your tool with a clean, soft cloth.
5. Check Adjustable Nosepiece Element to ensure it is operating freely.

These simple steps will not only ensure that your ST315i tool is ready to go to work the next day, but will also ensure that you get the maximum efficiency from your tool.

ST315i CORDLESS COIL TOOL ACCESSORIES

A variety of accessories are available for the ST315i tool:

- Battery (2)
- Battery Charger
- Charger Car Adapter
- Clear Safety Glasses
- Hex Key for Depth of Drive Adjustment
- Disposable Ear Plugs

Contact your STOCK-ade® Distributor Sales Representative for additional information.

MAINTENANCE

| SYMPTOM | POSSIBLE PROBLEMS | SERVICE |
|---|---|--|
| Preparing Tool for Operation—Battery/Charger Problems | | |
| <ul style="list-style-type: none"> – Battery does not appear to accept charge. Green charger light does not come on. | <ul style="list-style-type: none"> – Inoperative indicator lights on charger. | <ul style="list-style-type: none"> – Try Battery in tool after 3 hours on charge cycle. If tool LED is green, charger lights are not working properly. Replace charger, monitor charging time to ensure Battery has adequate time for recharging. It's normal for Battery to feel warm after properly charging. |
| | <ul style="list-style-type: none"> – Battery damaged or cycle life exhausted. | <ul style="list-style-type: none"> – Replace Battery. |
| | <ul style="list-style-type: none"> – Damaged charger. | <ul style="list-style-type: none"> – Discontinue use immediately and unplug from power source. Replace charger and tag or dispose of charger to prevent accidental reuse or connection to power source. |
| <ul style="list-style-type: none"> – Flashing lights on charger base unit. | <ul style="list-style-type: none"> – Damaged Battery | <ul style="list-style-type: none"> – Replace Battery |
| Normal Stage of Operation | | |
| <ul style="list-style-type: none"> – Fan does not run – tool LED is off. | <ul style="list-style-type: none"> – Battery is not charged. | <ul style="list-style-type: none"> – Charge Battery according to Operating Manual |
| | <ul style="list-style-type: none"> – Battery Terminals are oily, dirty, or corroded. | <ul style="list-style-type: none"> – Clean Battery terminals. |
| <ul style="list-style-type: none"> – Fan does not run, or runs slower than normal – tool LED is red. | <ul style="list-style-type: none"> – Battery is discharged. | <ul style="list-style-type: none"> – Charge Battery. |
| Pre-Combustion/Combustion Stage of Operation | | |
| <ul style="list-style-type: none"> – Work Contact Element does not depress fully – tool does not operate. | <ul style="list-style-type: none"> – Staple Jammed or, Head or Sleeve Steel Rings damaged. | <ul style="list-style-type: none"> – Clear Staple Jam. – Contact Authorized STOCK-ade® Distributor Sales Representative for service. |
| <ul style="list-style-type: none"> – Tool will not cycle-fan runs, LED is green. | <ul style="list-style-type: none"> – Fuel Cell is empty. | <ul style="list-style-type: none"> – Replace Fuel Cell. |
| | <ul style="list-style-type: none"> – Spark Wire out of spark plug. | <ul style="list-style-type: none"> – Contact Authorized STOCK-ade® Distributor Sales Representative for service. |
| | <ul style="list-style-type: none"> – Spark does not occur. | <ul style="list-style-type: none"> – Contact Authorized STOCK-ade® Distributor Sales Representative for service. |

TROUBLESHOOTING

| SYMPTOM | POSSIBLE PROBLEMS | SERVICE |
|--|---|--|
| Power/Exhaust Stage of Operation | | |
| – Tool operates properly, but fasteners do not drive fully. | – Battery is discharged. | – Charge Battery. |
| | – Fuel Cell is low. | – Check Fuel Cell according to Operating Manual and replace as required. |
| | – There may be loss of seal in combustion chamber. | – Press the Work Contact Element against a work-piece for one minute. Pull trigger. If fastener does not drive, there is a leak that requires service. |
| – Tool operates, but no fastener is driven. | – No More Fasteners | – Insert a New Strip of Fasteners |
| | – Fastener strip may be binding. | – Use only fasteners meeting STOCK-ade® Specifications |
| | – Jammed fastener. | – Clear jam according to Operating Manual. |
| – Tool operates erratically or appears to be losing power—tool LED is green. | – Fuel Cell is low. | – Check Fuel Cell according to Operating Manual. |
| | – Spark Plug wire is loose. | – Contact STOCK-ade® Distributor Sales Representative for Service. |
| | – Filter element is dirty, causing tool to overheat. | – Remove Filter element and clean according to Operating Manual. Use safe cleaning solution to remove stubborn debris. |
| | – Tool Sleeve or Steel Rings are dirty. | – Clean tool per Cleaning Procedure. |
| Returning/Purging Stage of Operation | | |
| – Tool operated and drove fastener, but piston did not return to start position. | – Built-up dirt and debris on Driver Blade or in Nose bore. | – Clean Driver Blade and Nose bore with safety solvent. |
| | – Damaged Driver Blade Tip. | – Contact your STOCK-ade® Distributor Sales Representative for service. |
| | – Exhaust ports on the Sleeve are dirty or clogged. | – Return tool to Authorized STOCK-ade® Distributor Sales Representative for service. |
| | – Tool (Sleeve) or Steel Rings are dirty. | – Contact your STOCK-ade® Sales Representative for service. |
| – Tool does not open after tool cycles. | – Tool is dirty. | – Clean tool or replace Work Contacting Element as required. |

If the ST315i tool will not operate after following the above service directions, return the tool to a STOCK-ade® Distributor Sales Representative for service.

www.stock-ade.com

STOCK-ade® GAS TOOL SYSTEMS WARRANTY AND LIMITATIONS

STOCK-ade® warrants that new ST-315i power fastening tools, parts and accessories will be free from defects in material and workmanship for the period shown below.

TWO-YEAR/50,000 SHOT WARRANTY

A two-year/50,000 shot warranty, which ever comes first, will apply to all parts, except those listed below as normal wearing parts, or parts which are specifically covered by an extended warranty.

SIX-MONTH/10,000 SHOT WARRANTY

A six-month/10,000 shot warranty applies to the following parts, which are considered normal wearing parts:

- Bumper
- Piston Assembly
- Steel Rings
- Piston Rings

The warranty period is based off of tool build date, determined from the tool serial number. Stockade may extend the warranty time frame from the date of purchase with a qualifying document proving date of purchase.

WARRANTY STATEMENT

STOCK-ade's sole liability hereunder will be to replace any part or accessory which proves to be defective within the specific time period. Any replacement part or accessory provided in accordance with this warranty will carry a warranty for the balance of the period of warranty applicable to the part it replaces. This warranty does not apply to part replacement required due to normal wear.

This warranty is void as to any tool which has been subjected to misuse, abuse, accidental or intentional damage, use with fasteners, fuel, battery, or battery chargers not meeting STOCK-ade's specification, size, or quality, improperly maintained, repaired with other than genuine ST315i replacement parts, damaged in transit or handling, or which, in Stockade's opinion, has been altered or repaired in a way that affects or detracts from the performance of the tool.

STOCK-ade® MAKES NO WARRANTY, EXPRESSED OR IMPLIED, RELATING TO MERCHANTABILITY, FITNESS, OR OTHERWISE, EXCEPT AS STATED ABOVE and the liability AS STATED ABOVE AND AS ASSUMED ABOVE is in lieu of all other warranties arising out of, or in connection with, the use and performance of the tool, except to the extent otherwise provided by applicable law.

STOCK-ade® SHALL IN NO EVENT BE LIABLE FOR ANY DIRECT, INDIRECT, OR CONSEQUENTIAL DAMAGES, INCLUDING, BUT NOT LIMITED TO DAMAGES WHICH MAY ARISE FROM LOSS OF ANTICIPATED PROFITS OR PRODUCTION, SPOILAGE OF MATERIALS, INCREASED COST OF OPERATION OR OTHERWISE.

STOCK-ade® reserves the right to change specifications, equipment, or designs at any time without notice and without incurring obligation.

**FOR TOOL REPAIR SERVICE CONTACT YOUR LOCAL
AUTHORIZED STOCK-ade® DISTRIBUTOR OR TO FIND
YOUR NEAREST STOCK-ade® TOOL REPAIR CENTER
VISIT OUR WEB SITE AT WWW.STOCK-ade.COM
OR CALL +64 9 477 3000**



IMPULSE® ST-315i FENCING STAPLER

**Buy with Confidence...
Buy From Your Authorized Distributor**



PELIGRO

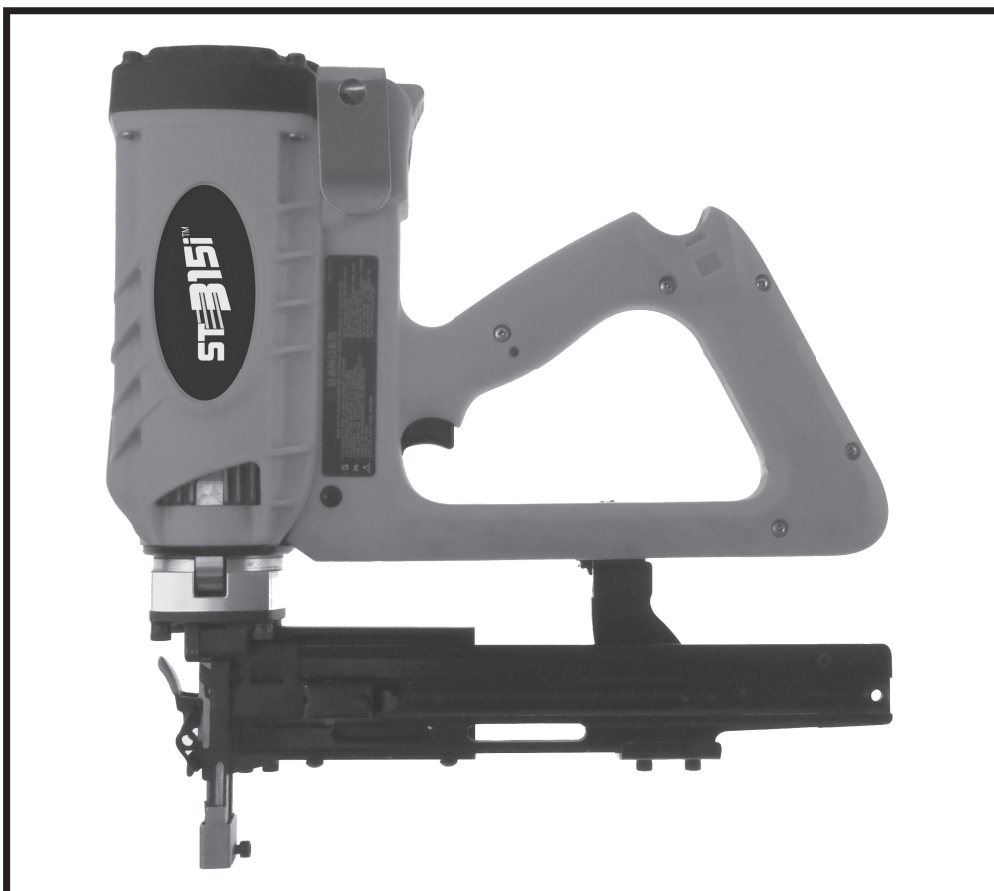


ANTES DE UTILIZAR LA HERRAMIENTA LEA Y SIGA TODAS
LAS INSTRUCCIONES DE SEGURIDAD Y FUNCIONAMIENTO.

STOCKade®

**CLAVADORA ENGRAPADORA PARA CERCAS
IMPULSE ST-315i**

**DE INSTRUCCIONES DE FUNCIONAMIENTO
Y SEGURIDAD DEL OPERADOR**



**HERRAMIENTA DE FIJACIÓN ALIMENTADA CON GAS,
DE TIPO PISTÓN DE BAJA VELOCIDAD**

ÍNDICE/INTRODUCCIÓN

| | |
|---|-------|
| Introducción..... | 2 |
| Perspectiva general de la herramienta Impulse ST-315I | 3 |
| Instrucciones de seguridad | 4-6 |
| Sistema de carga y baterías | 7-8 |
| Celdas de combustible..... | 9-10 |
| Preparación y uso de la herramienta Impulse ST-315i | 11 |
| Reparación | 12-13 |
| Mantenimiento y localización y resolución de averías | 14-16 |
| Garantía | 17 |

MANUAL DE FUNCIONAMIENTO DE LA HERRAMIENTA ST-315i

El objetivo de este manual es que usted se familiarice con la herramienta ST-315i de STOCK-ade®. A diferencia de otras herramientas de fijación, la herramienta ST-315i funciona con un motor lineal de combustión interna. En términos sencillos, su herramienta ST-315i funciona con un motor similar al de un automóvil. La herramienta prende fuego a una mezcla de aire y combustible para producir la energía que hace funcionar el motor, la cual a su vez impulsa el elemento de fijación. Como usted podrá ver, la herramienta ST-315i trae todo lo que necesita. Viene con su propia batería y suministro de combustible, junto con un suministro de elementos de fijación. Para una mayor facilidad en su uso, este manual está dividido en secciones (consulte el Índice). Cada sección de este manual se ha escrito teniéndolo en cuenta a usted, el operador de la herramienta. Hemos dejado afuera todos los términos técnicos de manera que usted pueda entender fácilmente cómo lograr el máximo desempeño de su herramienta ST-315i y cómo evitar dañar la herramienta o herirse. Para lograr esto, necesitamos que usted haga dos cosas:

- 1. ANTES DE UTILIZAR LA HERRAMIENTA, LEA EL MANUAL DE PRINCIPIO A FIN.**
- 2. SIGA TODAS LAS INSTRUCCIONES DEL MANUAL.**

La herramienta ST-315i debe manejarse como otras herramientas de fijación que usted usa. Si la usa adecuadamente, podrá satisfacer sus necesidades de fijación. Y, como la mayoría de sus herramientas, si se usa incorrectamente puede causar heridas. Si va a permitir que otras personas utilicen la herramienta ST-315i, es su responsabilidad asegurarse de que también lean y sigan las instrucciones de este manual antes de intentar manejar la herramienta.

En caso de que tenga alguna pregunta sobre el sistema ST-315i, o si desea obtener copias adicionales de este manual, comuníquese con el representante de ventas de su distribuidor de STOCK-ade®.

PERSPECTIVA GENERAL DE LA HERRAMIENTA ST-315i

DESCRIPCIÓN

La herramienta ST-315i es una herramienta que trae todo lo que necesita y es totalmente portátil; utiliza combustible de hidrocarburo líquido que activa un motor lineal único de combustión interna.

Para entender totalmente la información contenida en este manual, usted necesita una comprensión básica de la herramienta. Como puede ver en la ilustración que se encuentra a continuación, la herramienta ST-315i está conformada por tres conjuntos: el mango, el motor y el cargador.

Al examinar la herramienta ST-315i familiarícese con los tres conjuntos principales y los diversos componentes localizados en cada una de ellos.

En el conjunto del mango se encuentran la celda de combustible, la luz indicadora de voltaje de batería, la batería y el gatillo.

En el conjunto del motor se encuentran la tapa y el filtro, la caja protectora del motor y el ensamblaje de trompa.

En el conjunto del cargador se encuentran el cargador, el ensamblaje de casquillo y el soporte.

ESPECIFICACIONES

Dimensiones: Altura: 15 pulgadas/381 mm

Dimensiones: Longitud: 15 pulgadas/381 mm

Peso: 7.9 libras/3.6 kg

Velocidad de ciclo: funcionamiento intermitente de 2 a 3 grapas por segundo. Funcionamiento continuo 1000 grapas por hora.

OBSERVACIÓN: Exceder estas velocidades podría hacer que la herramienta se recaliente produciendo pérdida de rendimiento o daño de los componentes de la herramienta.

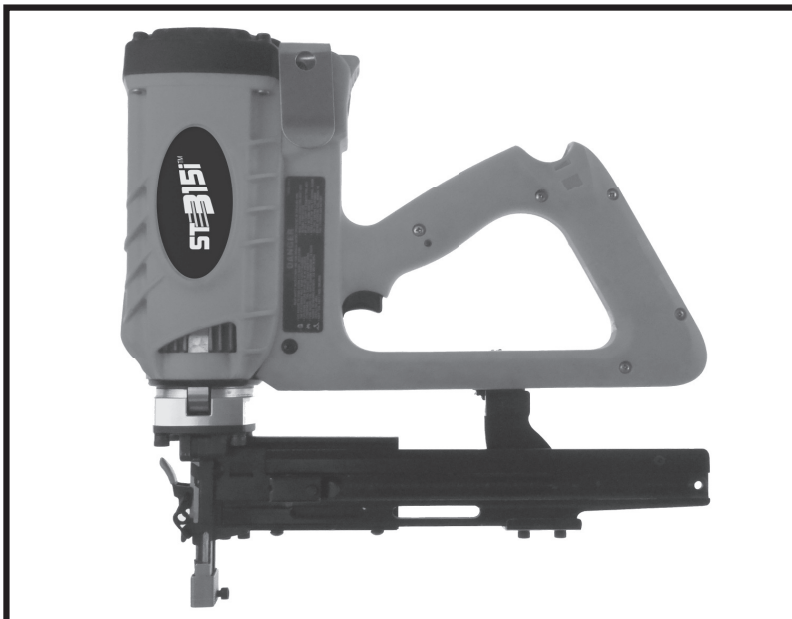
Si utiliza la herramienta ST-315i a la velocidad de funcionamiento recomendada, usted podrá clavar varios miles de elementos de fijación en un día de trabajo normal.

Largo máximo de los elementos de fijación: 40mm

Capacidad del cargador: 52 grapas (dos tirillas)

Batería: 6 voltios C.C.: suministra suficiente energía para clavar aproximadamente 3000 elementos de fijación en una carga.

Celdas de combustible: hidrocarburo líquido: suministra suficiente combustible para clavar aproximadamente 1000 elementos de fijación.



PERSPECTIVA GENERAL DE LA HERRAMIENTA ST-315i

INSTRUCCIONES DE SEGURIDAD

Se han incluido las siguientes instrucciones de seguridad en este manual para brindarle información básica necesaria para el manejo seguro de la herramienta ST-315i. Además de estas instrucciones, puede requerirse entrenamiento adicional, según el tipo de fijación que usted desee hacer. Para obtener información adicional, comuníquese con el representante de ventas de su distribuidor.



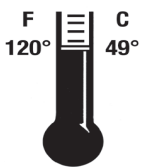
⚠ PELIGRO ⚠

No intente manejar esta herramienta hasta que haya leído y entendido todas las precauciones de seguridad y las instrucciones detalladas en el manual.

No seguir todas las precauciones e instrucciones de seguridad puede ocasionar pérdida permanente de la vista, lesiones personales graves e incluso mortales, daños a la propiedad o daño a la herramienta.



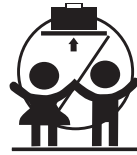
La herramienta ST-315i es un dispositivo de combustión interna. Produce gases de escape calientes que pueden prender fuego a materiales inflamables. Esta herramienta no puede utilizarse en entornos inflamables o en presencia de materiales combustibles, como productos químicos inflamables, adhesivos, gasolina o solventes.



No exponga el instrumento a temperaturas superiores a 120° F (49 ° C). Combustible y / o la batería puede explotar, liberando gas inflamable.



Esta herramienta debe manejarse solamente en áreas bien ventiladas, debido a que la herramienta deja escapar monóxido de carbono similar a una motosierra a gas o a una cortadora de césped. La exposición al monóxido de carbono puede causar mareos, náuseas o pérdida del conocimiento.



Mantenga SIEMPRE la herramienta ST-315i, las celdas de combustible, la batería y el cargador de la batería fuera del alcance de los niños.

1. LEA ESTE MANUAL DE PRINCIPIO A FIN.

Consulte siempre este manual para obtener información acerca del manejo seguro y la reparación de la herramienta ST-315i. Si cualquier parte no le queda clara, o si tiene alguna pregunta, comuníquese de inmediato con el representante de ventas de su distribuidor.

2. USE GAFAS DE SEGURIDAD Y PROTECCIÓN AUDITIVA

Use siempre gafas de seguridad y protección auditiva cuando maneje la herramienta ST-315i o cuando trabaje cerca de esta herramienta. Además, sus gafas de seguridad deben cumplir con los requisitos de la norma Z87 de ANSI, y deben tener visera lateral para una mayor protección.



3. NUNCA ASUMA QUE LA HERRAMIENTA ESTÁ DESCARGADA.

Cada vez que tome la herramienta ST-315i, revise el cargador para ver si hay elementos de fijación. Nunca apunte con la herramienta a ninguna persona ni a usted, incluso si está totalmente seguro de que no está cargada con elementos de fijación. El elemento de fijación que usted no vio es el que puede herirle a usted o a otra persona.

4. NUNCA “JUEGUE” CON LA HERRAMIENTA.

La herramienta ST-315i no es un juguete. . . es una herramienta de fijación eléctrica. Ha sido diseñada para clavar un elemento de fijación en un material base de madera. Para lograr este fin, genera una enorme cantidad de energía. Jugar con ella, incluso cuando esté totalmente seguro de que no está cargada con elementos de fijación es buscarse un accidente.

INSTRUCCIONES DE SEGURIDAD

5. NUNCA LLEVE LA HERRAMIENTA CON EL DEDO EN EL GATILLO O PULSANDO EL GATILLO. Debe recordar que la herramienta funciona en una secuencia específica. El elemento de contacto de trabajo actúa como una característica de funcionamiento que bloquea el gatillo y evita que complete el circuito de encendido.

6. NUNCA MANEJE UNA HERRAMIENTA QUE NO FUNCIONE CORRECTAMENTE.

Si usted determina que la herramienta no está funcionando correctamente, y el problema es más que un atasco de elementos de fijación, deje de usarla de inmediato y consulte la Sección de Mantenimiento de este manual. Si el problema no puede ser corregido con uno de los pasos cubiertos en la Sección de Mantenimiento, informe el problema a su supervisor o a un representante de ventas de su distribuidor.

No intente hacer ninguna reparación adicional a su herramienta ST-315i.

7. MANEJE LA HERRAMIENTA ÚNICAMENTE SOBRE LA SUPERFICIE DE TRABAJO.

La herramienta solo debe manejarse cuando esté en contacto con la superficie de trabajo. Sostenga siempre la herramienta en posición firme y perpendicular contra la superficie que va a fijarse.



8. NUNCA CARGUE LOS ELEMENTOS DE FIJACIÓN SI TIENE PULSADO EL GATILLO O EL ELEMENTO DE CONTACTO DE TRABAJO.

Cuando cargue la herramienta ST-315i con los elementos de fijación, debe evitar apretar el gatillo, así como pulsar el ELEMENTO DE CONTACTO DE TRABAJO. Cuando la herramienta esté en una banqueta o en otra superficie, podría presionarse el elemento de contacto de trabajo. Cuando esté cargando los elementos de fijación podría apretar accidentalmente el gatillo al agarrar el mango para sujetar la herramienta. Estas dos acciones harán que la herramienta se active y descargue un elemento de fijación.

INSTRUCCIONES DE SEGURIDAD

9. EXTRAIGA LOS ELEMENTOS DE FIJACIÓN O DESPEJE LOS ATASCOS.

Con la herramienta apuntando para otro lado (no hacia usted u otras personas), jale el casquillo un poquito hacia atrás del cargador hasta que quede asegurado en la posición trasera. Retire todas las grapas.

Si fuese necesario, desenganche el ensamblaje de la cubierta y retírela. Retire todas las grapas atascadas.

Consulte la Sección de Mantenimiento de este manual.

10. NUNCA INTENTE MANEJAR LA HERRAMIENTA ST-315i SI LE FALTA ALGUNA DE LAS PARTES O SI ESTÁN AVERIADAS O SUELTAS.

Asegúrese de que todos los tornillos y las tuercas estén correctamente apretados, que todas las partes estén debidamente instaladas y que funcionen perfectamente. Si falta alguna pieza, no intente hacer reparaciones temporales... comuníquese con su representante de ventas de inmediato.

11. NUNCA CLAVE ELEMENTOS DE FIJACIÓN SOBRE OTROS ELEMENTOS DE FIJACIÓN NI DEMASIADO CERCA DE ESTOS.

Clavar encima de los elementos de fijación o muy cerca de estos puede hacer que el elemento de fijación rebote y ocasione lesiones graves. Clave solo en áreas donde pueda penetrar todo el vástago.

12. NUNCA DISPARE EN MATERIALES MUY DUROS O FRÁGILES TALES COMO ACERO FUNDIDO, CERÁMICA, VIDRIO O ROCAS DE CUALQUIER TIPO.

Estos materiales pueden romperse y provocar que fragmentos afilados o el elemento de fijación salgan disparados.

INSTRUCCIONES DE SEGURIDAD

INSTRUCCIONES DE SEGURIDAD

13. NUNCA LLEVE ELEMENTOS DE FIJACIÓN U OTROS OBJETOS Duros EN EL MISMO BOLSILLO O CONTENEDOR QUE LA CELDA DE COMBUSTIBLE.

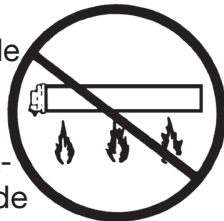
La celda de combustible se puede perforar y causar heridas graves.

14. NUNCA PERMITA QUE NINGUNA PERSONA UTILICE LA HERRAMIENTA ST-315i A MENOS QUE HAYA LEÍDO Y RAMIENTA Y TODAS LAS INSTRUCCIONES DE SEGURIDAD.

Es responsabilidad del dueño de la herramienta asegurarse de que todos los usuarios de la herramienta lean y entiendan perfectamente las instrucciones de funcionamiento, seguridad y mantenimiento de la herramienta.

15. ALMACENAMIENTO DE LAS CELDAS DE COMBUSTIBLE.

Las celdas de combustible contienen gases inflamables que se encuentran bajo presión y deben almacenarse en un área donde no estén expuestas a fuego, chispas o temperaturas por encima de los 120° Fahrenheit (49° centígrados). La exposición a temperaturas por encima de los 120° F (49° C) puede provocar escapes o estallidos en las celdas de combustible, por lo que se liberan gases inflamables y se genera un riesgo de incendio o explosión.



16. ELIMINACIÓN DE LAS CELDAS DE COMBUSTIBLE.

Nunca intente perforar, aplastar, quemar o rellenar las celdas de combustible. Elimine siempre las celdas vacías con residuos que no vayan a quemarse. Además, nunca deje las celdas de combustible con otros materiales para recuperación o reciclaje.

17. ALMACENAMIENTO DE LA HERRAMIENTA.

Al final de cada día de trabajo, retire la batería y guárdela en su estuche. Recargue la batería solo si se requiere según lo indica una luz roja de carga en el mango.

18. MANTENGA LA HERRAMIENTA LIMPIA.

Al final de cada día de trabajo, dedique un minuto a la limpieza de la herramienta con un paño limpio. Es más probable que una herramienta sucia se obstruya o funcione mal.

19. NUNCA PONGA LA MANO O LOS DEDOS SOBRE LA TROMPA DE LA HERRAMIENTA.

El elemento de fijación o el pistón pueden lesionar gravemente su mano en caso de una descarga accidental.



INSTRUCCIONES DE SEGURIDAD

SISTEMA DE CARGA Y BATERÍAS

BATERÍA Y CARGADOR

El primer paso para preparar una herramienta nueva consiste en cargar por completo la batería nueva. Las baterías nuevas se envían descargadas y deben cargarse durante 24 horas antes de usarlas por primera vez. Todas las cargas posteriores requieren 2 horas de carga como máximo.



ADVERTENCIA

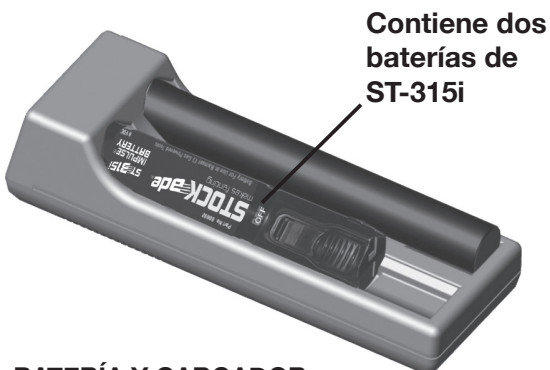
Notas importantes sobre la carga



PELIGRO QUÍMICO/DE EXPLOSIÓN

Lea TODAS las instrucciones antes de cargar o de usar las baterías. No seguir TODAS las instrucciones puede provocar un incendio, quemaduras graves o liberación de materiales tóxicos.

Eliminación de baterías: Sello de reciclaje de las baterías RBRCQ® certificado por la EPA en las baterías de níquel-cadmio (Ni-Cd) indica que Stockade está participando voluntariamente en un programa industrial para recolectar y reciclar estas baterías al final de su vida útil, cuando se retiran de servicio en los Estados Unidos o en Canadá. El programa RBRCQ® brinda una alternativa conveniente al desecho de baterías de Ni-Cd en la basura o en el basurero municipal, lo cual puede ser ilegal en su área. Llame al 1-800-8-BATTERY™ (1-800-822-8837) para obtener más información sobre el desecho y reciclaje de baterías de Ni-Cd en su área. La participación de Stockade en este programa es parte de nuestro compromiso para preservar el medioambiente y conservar los recursos naturales.



BATERÍA Y CARGADOR

INSTRUCCIONES PARA CARGAR

1. Conecte el enchufe redondo de la unidad de montaje de pared a la parte frontal de la base del cargador y conecte la unidad de montaje de pared a un tomacorriente de 120 V CA o 240 V CA, según su ubicación. Una luz LED junto al enchufe indica que la unidad base tiene corriente.

2. Ponga la base del cargador en una superficie estable e inserte la batería o las baterías, contacto en primer lugar, en la apertura de la base del cargador.

3. El cargador de la herramienta incorpora un indicador de nivel de carga para informar al usuario el nivel de carga de la batería.

Una luz roja estará iluminada todo el tiempo durante el ciclo de carga.

Una luz verde

= batería en el 50 % de su capacidad

Dos luces verdes

= batería en el 75 % de su capacidad

Tres luces verdes

= la batería ha alcanzado su capacidad TOTAL

La luz roja no se encenderá cuando la batería esté totalmente cargada.

LO QUE NO SE DEBE HACER AL CARGAR

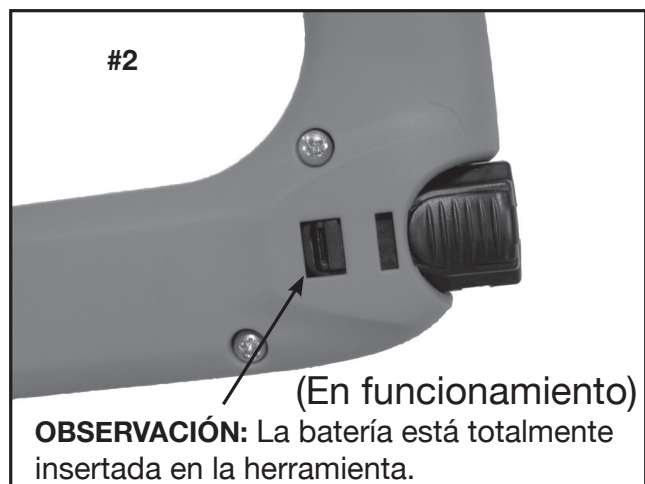
- No cargue la batería cuando la temperatura sea inferior a 40° F (5° C).
- No deje caer la batería ni el cargador.
- No permita que objetos de metal entren en contacto con los terminales de la batería.
- No perfore ni intente abrir la caja o las celdas de la batería.
- No almacene las baterías en lugares donde estén expuestas a temperaturas superiores a los 120° F (49° C).
- No incinere las baterías.
- No utilice cargadores de baterías defectuosos, que se recalienten o echen humo al estar conectados.

SISTEMA DE CARGA Y BATERÍAS

SISTEMA DE CARGA Y BATERÍAS

INSTALACIÓN DE LA BATERÍA

- Inserte la batería en la herramienta como se muestra a la derecha con el sujetador hacia afuera.
- La batería tiene dos posiciones en la herramienta:
 1. El cuadro # 1 a la right.position-como se muestra en "OFF".
 2. La posición "RUN" (en funcionamiento) como se muestra en la imagen a la derecha.
- Para utilizar la herramienta, asegúrese de que la batería está totalmente insertada en la herramienta. Después de instalar la batería, fíjese en la luz LED en el lado derecho del mango.
- Si la luz verde se enciende, la herramienta recibe alimentación.
- Si la luz roja se enciende, es necesario cargar la batería.
- Si la luz está encendida de color verde continuamente y el ventilador está en funcionamiento, la herramienta está lista para el próximo disparo.
- Si la luz está encendida de color rojo continuamente y el ventilador no está en funcionamiento, es necesario volver a cargar la batería.
- Si no va a utilizar la herramienta por un corto período, ponga nuevamente la batería en la posición "OFF". Esto evitará que la herramienta se active.
- Si no va a utilizar la herramienta por un período prolongado, retire la batería y guárdela en la caja de herramientas.



SISTEMA DE CARGA Y BATERÍAS

Celdas de combustible



PELIGRO

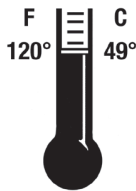
PELIGRO DE EXPLOSIÓN/INCENDIO



Lea **TODAS** las instrucciones de seguridad antes de usar o manipular la celda de combustible. No seguir **TODAS** las instrucciones puede provocar una explosión o un incendio. Esto puede causar graves lesiones personales o daño a la propiedad.



Mantenga las celdas de combustible alejadas del calor, las chispas y el fuego.



La exposición a temperaturas por encima de los 120° F (49° C) puede hacer que la celda de combustible libere gases inflamables.



ADVERTENCIA

- La luz del sol puede aumentar la temperatura interior de un camión o una furgoneta sin ventilación a temperaturas superiores a los 140°F (60° C).
 - No perforo ni intente abrir la celda de combustible; no es recargable.
 - No incinere, recupere ni recicle la celda de combustible.
 - No fume mientras instala o retira la celda de combustible.
 - No inhale el espray.
 - Mantenga fuera del alcance de los niños.
 - Almacene la(s) celda(s) de combustible únicamente en áreas bien ventiladas.
-

Hay un segundo contenedor dentro de la celda de combustible. El combustible está en el contenedor interno. El espacio entre el contenedor interno y el cilindro externo está lleno de un gas, llamado el propelente, que se encuentra bajo presión.

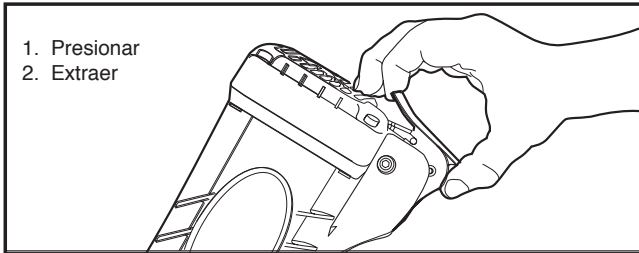
Para expulsar el combustible, la presión del propelente aprieta el contenedor de combustible interno, de manera muy similar a como apretamos un tubo de pasta de dientes. Esta acción de apretar garantiza la utilización de todo el combustible, y que la herramienta ST-315i pueda funcionar en cualquier posición.

Debido al diseño de un contenedor dentro de otro, es probable que escuche el sonido de un líquido al agitar la celda de combustible después de que se ha utilizado todo el combustible. Este es el propelente, que queda entre los contenedores incluso después de que se ha expulsado todo el combustible.

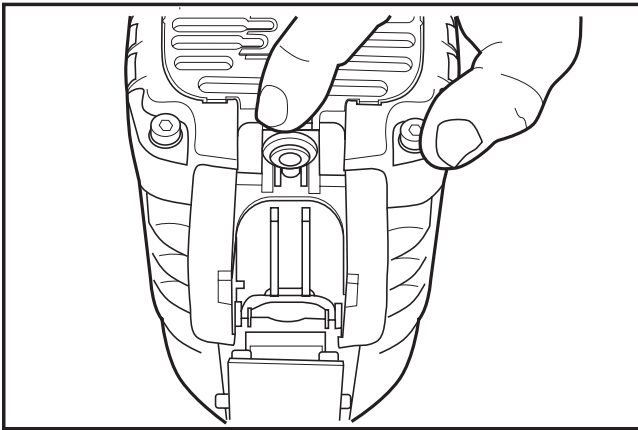
Si exponemos la celda vacía de combustible a temperaturas extremas, el gas propelente se expandirá y podría hacer que el contenedor se rompa y libere gases inflamables.

CELDAS DE COMBUSTIBLE

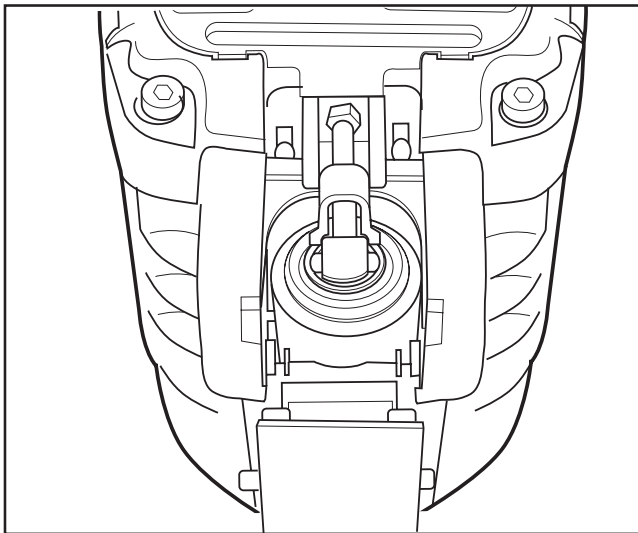
INSERCIÓN DE LA CELDA DE COMBUSTIBLE



Levante el adaptador del cartucho de combustible inserte el cartucho de combustible en la herramienta.



Suelte el adaptador para que quede centrado en el cartucho de combustible.



Usted completa la carga de la celda de combustible en la herramienta ST315i al cerrar la tapa de accionamiento. Esto se hace girándola hacia arriba y por encima del conjunto de celda de combustible y empujándola hacia abajo hasta que la tapa de activación quede encajada en posición.



CLIMA EXTERIOR Y LA HERRAMIENTA ST315i

Utilice la herramienta al aire libre, en clima despejado, cuando la herramienta, la celda de combustible y la batería estén a temperaturas entre 20° F (-7° C) y 120° F (49° C). Las temperaturas más frías pueden averiar la herramienta y la batería. Las temperaturas más calientes pueden dañar la herramienta y la celda de combustible. El combustible debe almacenarse lejos de la luz del sol directa en ambientes con temperaturas inferiores a 120° F (49° C). Después de períodos prolongados de uso continuo, enfríe la herramienta activando el motor del ventilador.

Manejar la herramienta cuando esta tiene una temperatura inferior a los 20° F (-7° C) puede dañar la herramienta. Las celdas de combustible en temperaturas frías pierden la fuerza propulsora necesaria. Lleve la herramienta, la batería y la celda de combustible a la temperatura de funcionamiento mínima sin exponerlas directamente al fuego, y revise la batería.

PRECAUCIÓN

La herramienta ST315i no deberá usarse bajo la lluvia o en sitios donde haya mucha humedad. Estas condiciones podrían ocasionar daños en los componentes de la herramienta y hacer que esta funcione mal.

CELDAS DE COMBUSTIBLE

PREPARACIÓN Y USO DE LA HERRAMIENTA ST315i

ELEMENTOS DE FIJACIÓN

La herramienta ST315i solo puede clavar elementos de fijación STOCK-ade®. El uso de cualquier otro elemento de fijación dañará la herramienta y anulará su garantía.

CARGA DE ELEMENTOS DE FIJACIÓN

1. Jale el casquillo hacia atrás del riel del cargador hasta que quede asegurado en la posición trasera.
2. Inserte la barra de grapas en el riel del cargador.
3. Controle al soltar el casquillo y permita que se mueva suavemente hacia adelante hasta que haga contacto con las grapas.
4. Ya está listo para comenzar a clavar grapas.

OPERACIÓN DE LA HERRAMIENTA

Una técnica correcta garantiza el funcionamiento sin complicaciones de la herramienta. Tres pasos fáciles para accionar la herramienta:



1. ACOPLE LA HERRAMIENTA

COLOQUE la TROMPA AJUSTABLE de la herramienta ST315i CONTRA LA SUPERFICIE DE TRABAJO. Luego presione hacia abajo para cerrar la herramienta.

El motor del ventilador se encenderá y la luz LED permanecerá encendida de color verde. El combustible es inyectado en la cámara de combustión y es mezclado con el aire por el ventilador.

2. APRIETE EL GATILLO

La bujía echa chispas y se enciende la mezcla de aire/combustible. La combustión hace funcionar el conjunto del pistón y acciona los elementos de fijación.

3. SUELTE EL GATILLO - LEVANTE LA HERRAMIENTA

La cámara de combustión se abre. El ventilador expelle gases calientes y enfría los componentes internos.

OBSERVACIÓN: Si no se hacen más ciclos, el ventilador funcionará durante 7 segundos y luego se apagará.

PARA EVITAR EL FUNCIONAMIENTO NO INTENCIONADO DE LA HERRAMIENTA Y POSIBLEMENTE LESIONES A USTED U OTROS EN EL ÁREA DE TRABAJO, ASEGÚRESE DE SOLTAR EL GATILLO EN CUANTO HAYA TERMINADO DE CLAVAR LOS ELEMENTOS DE FIJACIÓN. NUNCA PRESIONE LA TROMPA AJUSTABLE CONTRA NINGÚN OBJETO EXCEPTO EL MATERIAL QUE VA A FIJARSE.

PROFUNDIDAD A LA QUE SE CLAVARÁN LAS GRAPAS

Se recomienda que antes de comenzar a trabajar el operador realice una prueba para determinar la profundidad a la que se clavarán las grapas sobre una pieza de madera que no vaya a utilizarse.

AJUSTE DE LA PROFUNDIDAD A LA QUE SE CLAVARÁN LAS GRAPAS

RETIRE LA BATERÍA Y EL COMBUSTIBLE DE LA HERRAMIENTA ANTES DE REALIZAR CUALQUIER AJUSTE.

Suelte el tornillo con cabeza del casquillo de ajuste ubicado cerca de la punta del elemento de contacto de trabajo.

AUMENTO DE LA PROFUNDIDAD A LA QUE SE CLAVARÁN LAS GRAPAS

Deslice el elemento de contacto de trabajo hacia el cuerpo de la herramienta para aumentar la profundidad a la que se clavarán las grapas.

DISMINUCIÓN DE LA PROFUNDIDAD A LA QUE SE CLAVARÁN LAS GRAPAS

Aleje el elemento de contacto de trabajo del cuerpo de la herramienta para disminuir la profundidad a la que se clavarán las grapas.

PREPARACIÓN Y USO DE LA HERRAMIENTA ST315i

MANTENIMIENTO

El mantenimiento de campo debería limitarse a lo siguiente:

- REVISIÓN DEL NIVEL DE ENERGÍA DE LA BATERÍA
- RECARGA DE LA BATERÍA
- REVISIÓN DE LA CELDA DE COMBUSTIBLE Y LA FECHA DE VENCIMIENTO
- REEMPLAZO DE LA CELDA DE COMBUSTIBLE
- LIMPIEZA DE LOS FILTROS DE AIRE
- DESPEJE DE ATASCOS

Los intentos de sobrepasar estos procedimientos podrían resultar en graves lesiones personales o daño a la herramienta ST315i y anulación de la garantía.

Hay ciertos problemas con los que podemos encontrarnos al utilizar la herramienta ST315i que se pueden corregir en el lugar de trabajo. Los siguientes procedimientos de mantenimiento de campo son los únicos procedimientos de mantenimiento que usted deberá intentar realizar. Cualquier otra cosa que parezca incorrecta en la herramienta solo deberá ser diagnosticada y reparada por un técnico totalmente capacitado. Si hay alguna razón para creer que su problema está fuera del ámbito de los procedimientos de mantenimiento de este manual, comuníquese de inmediato con su representante de ventas.



Nunca intente realizar ningún tipo de mantenimiento de la herramienta ST315i sin antes retirar la celda de combustible, la batería y los elementos de fijación. El mantenimiento solo deberá iniciarse cuando la herramienta esté totalmente inoperativa.

REVISIÓN DE LA BATERÍA

Revise periódicamente la luz LED indicadora de voltaje de batería: la luz LED que se encuentra en el mango de la herramienta ST315i. Cuando encuentre un problema, el primer paso debería siempre ser asegurarse de que la batería tenga suficiente energía para hacer funcionar la herramienta.

Si la luz se enciende de color rojo, recargue la batería. Si la luz se enciende de color verde, lo que indica que la batería está cargada, revise el sistema de encendido.

REVISIÓN DE LA CELDA DE COMBUSTIBLE

Otra condición típica de mantenimiento ocurre cuando la celda de combustible queda vacía. Un síntoma típico será cuando el ventilador de la herramienta funcione y la luz LED esté encendida de color verde, pero la herramienta no clave los elementos de fijación completamente. En este caso, retire la celda de combustible de la herramienta, verifique para ver si la celda aún contiene combustible y si se encuentra dentro de la fecha de vencimiento.

Para determinar si queda algo de combustible en la celda de combustible solo ponga el vástago medidor contra un objeto sólido y empuje suavemente unas tres o cuatro veces. Debería liberarse una pequeña cantidad de combustible a cada vez. Nunca realice esta prueba cerca de fuego o de chispas, mientras fuma o cuando el combustible pueda saltar hacia sus ojos. Si no se libera combustible con cada movimiento de la válvula medidora, no queda más combustible en el cilindro y es necesario reemplazarlo. Deseche correctamente la celda de combustible vacía.

FILTRO DE AIRE

Retire la rejilla de la tapa y retire el filtro. El filtro de aire sale con tan solo tirar de él. Dé unos golpecitos SUAVES al filtro para eliminar el polvo. Debe revisar y limpiar el filtro de aire cada dos días.

MANTENIMIENTO

DESPEJE DE ATASCOS

Un problema típico que podemos encontrar es que los elementos de fijación estén atascados. Debido al diseño único de la herramienta ST315i, despejar un elemento de fijación atascado es muy sencillo. Las piezas dañadas o la acumulación excesiva de suciedad son las causas principales de los atascos.

Si se produce un atasco, realice lo siguiente:

1. Retire la batería y la celda de combustible.
2. Jale el casquillo hacia atrás del cargador hasta que quede asegurado en la posición trasera.
3. Retire todos los elementos de fijación. (Si hace falta, desenganche el ensamblaje de la cubierta y retírela).
4. Retire todos los elementos de fijación atascados.
5. Si la herramienta sigue atascada o no puede despejar un atasco particularmente complicado, llévela a un distribuidor autorizado STOCK-ade para su reparación.

Si el ventilador de la herramienta no funciona después de despejar un atasco:

Revise el estado de la batería.

Si el indicador LED del mango emite un brillo rojo constante al pulsar la herramienta, recargue la batería.

MANTENIMIENTO

PRECAUCIONES DE FUNCIONAMIENTO EN CLIMA FRÍO

Mantenga la herramienta en un área cálida hasta que esté listo para usarla. Si la herramienta ya está fría, llévela a un área cálida y espere a que se caliente antes de usarla.

NO UTILICE LA HERRAMIENTA CUANDO HAGA FRÍO A MENOS QUE LOS ELEMENTOS DE FIJACIÓN VAYAN A CLAVARSE EN UNA PIEZA DE TRABAJO.

LIMPIEZA EXTERNA

Las piezas externas se deben limpiar de la siguiente manera:

1. Retire la batería y la celda de combustible.

2. Jale el casquillo hacia atrás y saque todos los elementos de fijación.
3. Limpie la suciedad y el polvo del cargador y de la trompa de la herramienta.
4. Limpie el exterior de la herramienta con un paño suave y un desengrasante como parafina.



Nunca utilice solventes altamente volátiles, como la gasolina, para limpiar la herramienta. No permita la entrada de solvente al interior de la herramienta. Algunos solventes pueden deteriorar las juntas tóricas o dilatarlas, lo que provoca que la herramienta funcione mal y se origine un posible peligro para la seguridad.

5. **Importante:** es extremadamente importante por razones de seguridad que toda la suciedad y los materiales extraños se retiren del área del elemento de contacto de trabajo. El elemento de contacto de trabajo debe poder moverse hacia afuera y hacia adentro sin adherirse. El cargador y el elemento de contacto de trabajo están diseñados para funcionar sin lubricación.

FUNCIONAMIENTO INCORRECTO

Esté atento a los problemas de la herramienta. Una herramienta que funcione de manera incorrecta debe dejar de ser utilizada inmediatamente y no volver a utilizarse hasta que sea reparada por un técnico calificado. Manejar una herramienta que funcione incorrectamente es peligroso. Deje de utilizar la herramienta y repárela.

SERVICIO Y REPARACIÓN

Excepto según se describa específicamente en otras secciones de este manual, ninguna persona debe desmontar, proporcionar mantenimiento, reparar ni volver a montar esta herramienta, salvo un técnico calificado. El mantenimiento, la reparación o el ensamblaje incorrectos de esta herramienta podrían causar lesiones graves al usuario o daños a la herramienta. Comuníquese con su vendedor local de STOCK-ade® o con un distribuidor autorizado para recibir asistencia y reparación.

MANTENIMIENTO

RUTINA DE FIN DE DÍA

Al finalizar su día laboral, realice una rutina diaria. El propósito de seguir estos sencillos pasos es mantener la seguridad y eficiencia operativa de la herramienta ST315i.

Antes de marcharse de su lugar de trabajo:

1. Retire la batería y guárdela en la caja de herramientas. Siempre utilice la caja de herramientas para transportar y guardar la herramienta.
2. Deseche todas las celdas de combustible vacías. Recuerde desechar estas celdas donde los niños no puedan encontrarlas ni donde puedan ser aplastadas, perforadas ni quemadas.
3. Coloque la batería en su cargador solo si es necesario cargarla, según lo indica la luz roja de carga en el mango.
4. Limpie su herramienta con un paño suave y limpio.
5. Revise la trompa ajustable para asegurarse de que esté funcionando sin problemas.

Estos sencillos pasos no solo garantizarán que su herramienta ST315i esté lista para funcionar al día siguiente, sino que además garantizarán una eficiencia máxima de la herramienta.

ACCESORIOS DE LA HERRAMIENTA ST315i CON BOBINA INALÁMBRICA

Hay disponibles toda una variedad de accesorios para la herramienta ST315i:

- Batería
- Cargador de batería
- Cargador para automóvil
- Gafas de seguridad transparentes
- Llave hexagonal para ajustar la profundidad a la que se clavarán las grapas
- Tapones para los oídos descartables

Para obtener información adicional, comuníquese con el representante de ventas de su distribuidor STOCK-ade®.

REPARACIÓN DE AVERÍAS

SÍNTOMA

POSIBLES PROBLEMAS

MEDIDA

Preparación de la herramienta para funcionamiento — Problemas del cargador/de la batería

| | | |
|---|--|--|
| — Parece que la batería no acepta la carga. La luz verde del cargador no se enciende. | — El indicador que no funciona se ilumina en el cargador. | — Pruebe la batería en la herramienta después de 3 horas en el ciclo de carga. Si la luz LED de la herramienta está encendida de color verde, las luces del cargador no están funcionando correctamente. Reemplace el cargador o controle el tiempo de carga para garantizar que la batería tenga suficiente tiempo para la recarga. Es normal que una batería esté tibia al tacto después de una carga apropiada. |
| | — La batería está averiada o se ha agotado el ciclo de vida. | — Reemplace la batería. |
| | — El cargador está averiado. | — Suspnda el uso de inmediato y desconecte de la fuente de alimentación. Reemplace el cargador y etiquete o deseche el cargador para prevenir la reutilización accidental o conexión a la fuente de alimentación. |
| — Las luces son intermitentes en la unidad base del cargador. | — La batería está dañada. | — Reemplace la batería. |

Etapa de funcionamiento normal

| | | |
|--|--|---|
| — El ventilador no funciona. | — La batería no está cargada. | — Cargue la batería siguiendo las instrucciones del Manual de funcionamiento. |
| — La luz LED de la herramienta está apagada. | — Las terminales de la batería están grasientas, sucias o corroídas. | — Limpie las terminales de la batería. |
| — El ventilador no funciona o funciona más lento que de costumbre. | — La batería está descargada. | — Cargue la batería. |
| — La luz LED de la herramienta está encendida de color rojo | | |

Etapa de funcionamiento previa a la combustión/combustión

| | | |
|---|---|--|
| — El elemento de contacto de trabajo no se oprime por completo. | — Hay grapas atascadas. | — Retire las grapas atascadas. |
| — La herramienta no funciona. | — Los anillos de acero de la cabeza o camisa están dañados. | — Comuníquese con el representante de ventas autorizado de su distribuidor de STOCK-ade® para recibir mantenimiento. |
| — La herramienta no activa el ciclo del ventilador, la luz LED está encendida de color verde. | — La celda de combustible está vacía. | — Reemplace la celda de combustible. |
| | — El cable de la bujía está separado de la bujía. | — Comuníquese con el representante de ventas autorizado de su distribuidor de STOCK-ade® para recibir mantenimiento. |
| | — No echa chispas. | — Comuníquese con el representante de ventas autorizado de su distribuidor de STOCK-ade® para recibir mantenimiento. |

REPARACIÓN DE AVERÍAS

REPARACIÓN DE AVERÍAS

| SÍNTOMA | POSIBLES PROBLEMAS | MEDIDA |
|---|---|---|
| Etapa de funcionamiento de combustión/escape | | |
| – La herramienta funciona correctamente, pero los elementos de fijación no se clavan completamente. | – La batería está descargada. | – Cargue la batería. |
| | – La celda de combustible está baja. | – Revise la celda de combustible siguiendo las instrucciones del Manual de funcionamiento y reemplace según las indicaciones. |
| – La herramienta funciona, pero no se pueden clavar los elementos de fijación. | – Puede haber pérdida de cierre en la cámara de combustión. | – Presione el elemento de contacto de trabajo contra una pieza de trabajo durante un minuto. Apriete el gatillo. Si los elementos de fijación no se clavan, hay un escape que requiere mantenimiento. |
| | – No hay más elementos de fijación. | – Inserte una nueva tirilla de elementos de fijación. |
| | – La tirilla de elementos de fijación podría estar atascándose. | – Utilice únicamente los elementos de fijación que cumplan con las especificaciones de STOCK-ade®. |
| – La herramienta funciona de manera irregular y parece estar perdiendo energía, la luz LED de la herramienta está encendida de color verde. | – El elemento de fijación está atascado. | – Elimine el atasco siguiendo las instrucciones del Manual de funcionamiento. |
| | – La celda de combustible está baja. | – Revise la celda de combustible siguiendo las instrucciones del Manual de funcionamiento. |
| | – El cable de la bujía está flojo. | – Comuníquese con el representante de ventas de su distribuidor de STOCK-ade® para recibir mantenimiento. |
| | – El elemento de filtración está sucio, lo que provoca que la herramienta se recaliente. | – Retire el elemento de filtración y limpie siguiendo las instrucciones del Manual de funcionamiento. Utilice una solución de limpieza segura para eliminar desechos rebeldes. |
| | – La camisa o los anillos de acero de la herramienta están sucios. | – Limpie la herramienta siguiendo las instrucciones del procedimiento de limpieza. |
| Etapa de funcionamiento de regreso/expulsión | | |
| – La herramienta funcionó y clavó los elementos de fijación, pero el pistón no regresó a la posición inicial. | – Hay acumulación de suciedad o desechos en la paleta impulsora o en el agujero de la trompa. | – Limpie la paleta impulsora y el agujero de la trompa con un solvente seguro. |
| | – Limpie la paleta impulsora y el agujero de la trompa. | – Comuníquese con el representante de ventas de su distribuidor de STOCK-ade® para recibir mantenimiento. |
| | – Los puertos de escape en la camisa están sucios o atascados. | – Devuelva la herramienta al representante de ventas autorizado de su distribuidor STOCK-ade® para que reciba mantenimiento. |
| | – La herramienta (camisa) o los anillos de acero están sucios. | – Comuníquese con el representante de ventas de su distribuidor de STOCK-ade® para recibir mantenimiento. |
| – La herramienta no se abre después de los ciclos de la herramienta. | – La herramienta está sucia. | – Limpie la herramienta o reemplace el elemento de contacto de trabajo según las indicaciones. |

Si la herramienta ST315i no funciona después de seguir las indicaciones de mantenimiento descritas arriba, devuelva la herramienta al representante de ventas de su distribuidor STOCK-ade® para que reciba mantenimiento.

www.stock-ade.com

REPARACIÓN DE AVERÍAS

GARANTÍA Y LIMITACIONES DE LOS SISTEMAS DE HERRAMIENTAS A GAS STOCK-ade®

STOCK-ade® garantiza que las nuevas herramientas de fijación ST-315i, las piezas y los accesorios no poseen defectos en los materiales ni en la fabricación durante el período que se muestra a continuación.

GARANTÍA DE DOS AÑOS/50,000 DISPAROS

Se aplicará una garantía de dos años/50,000 disparos, lo que suceda primero, a todas las piezas, excepto las que se detallan debajo como piezas de desgaste normal o las piezas que están cubiertas específicamente por una garantía ampliada.

GARANTÍA DE SEIS MESES/10,000 DISPAROS

Se aplicará una garantía de seis meses/10,000 disparos a las siguientes piezas que se consideran piezas de desgaste normal:

- Defensa
- Conjunto del pistón
- Anillos de acero
- Aros de pistón

El período de garantía se basa en la fecha de fabricación de la herramienta, la cual se determina mediante el número de serie de la herramienta. Es posible que Stock-ade extienda el plazo de la garantía desde la fecha de compra con un documento que califique y demuestre tal fecha.

DECLARACIÓN DE GARANTÍA

La única responsabilidad de STOCK-ade bajo esta garantía será el reemplazo de cualquier pieza o accesorio que pueda comprobarse estar defectuoso dentro de los límites de tiempo específicos. Cualquier pieza de repuesto o accesorio que se proporcione de acuerdo con esta garantía tendrá una garantía por el resto del período de garantía que sea aplicable a la pieza que reemplaza. Esta garantía no se aplica al reemplazo de las piezas por desgaste normal.

Esta garantía queda nula para cualquier herramienta que haya sido sometida a mal uso, abuso, a daño accidental o intencional, a uso con elementos de fijación, combustible, batería o cargadores de batería que no reúnan las especificaciones de STOCK-ade® en cuanto al tamaño o calidad, a mantenimiento inadecuado, la reparación con piezas de repuesto que no sean las originales de la herramienta ST315i, dañada en el transporte o manejo, o que según la opinión de Stockade haya sido alterada o reparada de forma que afecte o desmerezca el desempeño de la herramienta.

STOCK-ade® NO OTORGA NINGUNA GARANTÍA, EXPRESA O IMPLÍCITAMENTE, EN RELACIÓN CON LA COMERCIALIZACIÓN, IDONEIDAD, O DEMÁS, EXCEPTO SEGÚN SE ESTABLECIÓ ANTERIORMENTE y la responsabilidad SEGÚN SE EXPRESÓ Y SE ASUME MÁS ARRIBA sustituye a todas las demás garantías que surgen del uso y el desempeño de la herramienta y se relacionan con estos, excepto en la medida en que lo permita la ley aplicable de otra manera.

STOCK-ade® BAJO NINGUNA CIRCUNSTANCIA SERÁ RESPONSABLE DE CUALQUIER DAÑO DIRECTO, INDIRECTO O CONSECUENTE, INCLUIDOS, DE MANERA NO TAXATIVA, LOS DAÑOS QUE PUEDAN SURGIR DE LA PÉRDIDA DE GANANCIAS O PRODUCCIÓN ANTICIPADAS, DEL DESECHO DE MATERIALES, DEL AUMENTO DEL COSTO DE OPERACIÓN U OTROS.

STOCK-ade® se reserva el derecho de cambiar las especificaciones, el equipo o el diseño en cualquier momento, sin aviso y sin incurrir en obligación alguna.

**PARA SOLICITAR LA REPARACIÓN DE LA HERRAMIENTA,
COMUNÍQUESE CON SU DISTRIBUIDOR AUTORIZADO DE
STOCK-ade® LOCAL. SI DESEA ENCONTRAR EL CENTRO
DE REPARACIÓN DE HERRAMIENTAS STOCK-ade® MÁS
CERCANO,
VISITE NUESTRO SITIO WEB EN WWW.STOCK-ade®.
COM O LLAME AL +64 9 477 3000.**



**CLAVADORA ENGRAPADORA PARA CERCAS
IMPULSE ST-315i**

**Compre con confianza ...
Comprar a Su Distribuidor Autorizado**