

Beaver 240

Safety and Operators Manual & Parts Listing

CAUTION: Read the instruction manual before using the appliance.



DESIGNED & BUILT IN AUSTRALIA

Beaver 240

Notes

Machine Purchased:

Owner:

A large rectangular area containing horizontal dotted lines for writing notes.

Beaver 240

Table of Contents

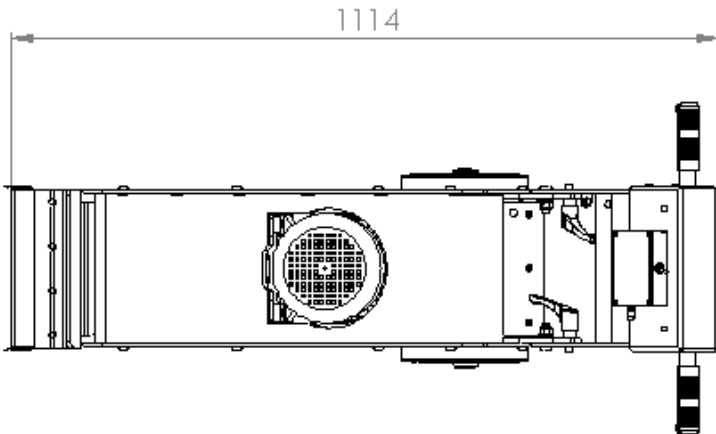
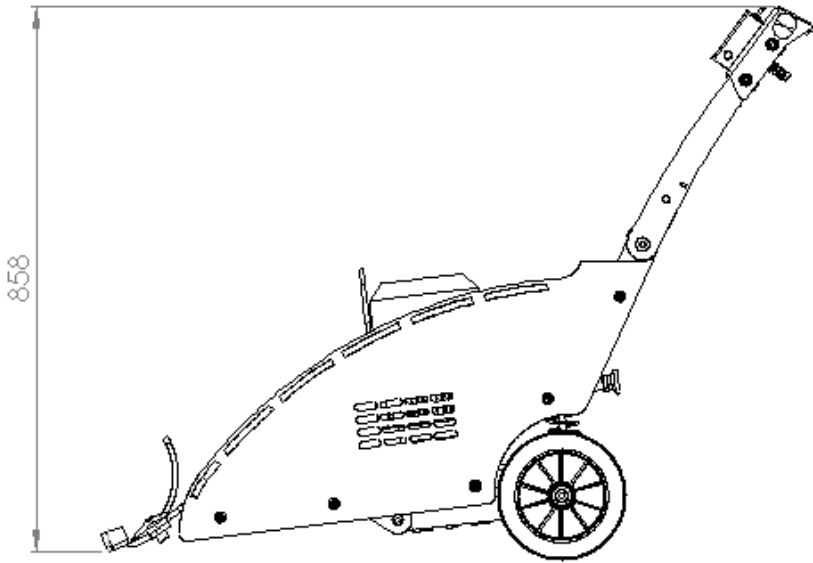
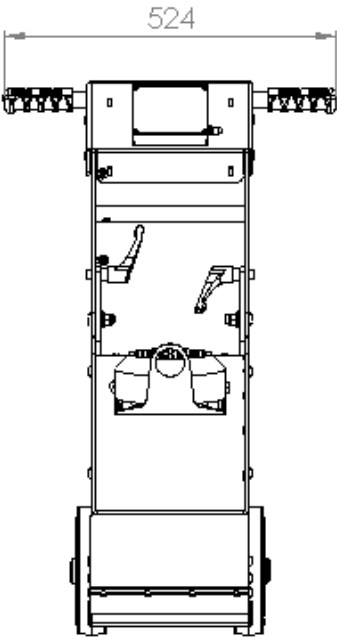
Notes	1
Specifications	3
Safety instructions	4
Safety instructions	5
Electrical safety	6
Operating instructions	7
Operating instructions	8
Operating instructions	9
Floor Take-up Procedure.	10
Floor Take-up Procedure.	11
Problem solving	12
Parts Diagram Main	13
Parts List Main	14
Parts Diagram Handle	15
Parts List Handle	16
Wiring Diagram	17

This machine is designed to operate with the wheels in contact with the floor at all times.
Do not operate with the wheels off the floor.

Beaver 240

Specifications

Beaver 240	
Weight	78kg
Dimensions	524 x 858 x 1114 (width x Height x Length)
Rated Voltage	240 Volt 50 Hz
Rated Watts	1500W
Max Blade Width	250mm



Beaver 240

Safety instructions

1. Read and understand the instructions on the machine and in this manual and engine manual (if applicable). Different models may have different parts and controls.
2. Equipment should only be operated by trained personnel, in good physical condition and mental health (not fatigued). The operator and maintenance personnel must physically be able to handle the bulk weight and power of this machine.
3. This is a **one person machine**. Maintain a safe operating distance to other personnel. Remember 'one machine, one operator'.
4. This equipment is intended for commercial use.
5. For the operators' safety and the safety of others, always keep all guards and shrouds in place.
6. Never start or run machine when unattended.
7. This machine is intended for use on horizontal floor surfaces only.
8. Never start or run machine with the handle folded.
9. Do not lend or rent machine without the operating instructions for the machine (and the engine, if applicable).
10. Wear clothing suitable for the job and for the work place including, safety shoes, hard hat, hearing protection, non-fogging vented safety goggles, and dust mask suitable for dust and Safety Gloves when changing Blades and accessories.
11. Keep body parts or any loose clothing away from moving parts. Failure to comply could result in bodily injury.

Beaver 240

Safety instructions

12. **Do not modify machine in any way. Only use genuine BEAVER 240 parts and accessories.**
13. **Repairs should be performed by qualified persons only.**
14. **Ensure parts have stopped moving and disconnect power or spark plug when servicing or changing blades or accessories.**
15. **Never operate machine in rain or if heavy moisture is present.**
16. **Petrol is extremely flammable and poisonous. Petrol should only be dispensed in well ventilated areas, and only when engine is cool.**
17. **WARNING! POISONOUS EXHAUST GASES. Do not operate petrol powered equipment without adequate ventilation. Carbon monoxide is and invisible odorless gas that can harm or can kill you.**
18. **Do not operate BEAVER 240 with any covers or doors removed or open.**
19. **The BEAVER 240 can produce sound pressure levels greater than 85db. The operator must wear approved safety ear protection.**
20. **Do not allow the supply cord to come in contact with the cutting blade/head or other moving parts of this machine.**

Beaver 240

Electrical safety

1. All electrical maintenance and repairs to be carried out by qualified persons only.
2. **CAUTION** - Line terminals may be alive when main switch is in the “OFF” position. Disconnect all power at source before performing any maintenance or repairs.
3. **WARNING - DO NOT** operate the machine with any electrical panels open.
4. **WARNING** - The BEAVER 240 has an overload switch and it will trip when under excessive load and will not allow the machine to be switched on if it is overloaded. (Overload will need to be reset and only will allow it when safe to do so). **Continuing to use the BEAVER 240 when constant tripping occurs, VOIDS THE WARRANTY!**
5. Never operate machine in the rain or if heavy moisture is present.
6. The overload is there to protect you and the machine from harm. **DO NOT** alter or adjust the over load in any way. If it is faulty, only replace with original part that is identical to the faulty one.
7. Never bypass over current devices in this machine.
8. Never connect or disconnect power cables when the machine is on or with voltage present or while under load.
9. Disconnect all power connections and observe lock out / tag out procedures before attempting to carry out any maintenance or repair on any equipment.
10. Avoid any contact with any rotating parts or driven parts.
11. Never use equipment that has not been tested and tagged (including cords).
12. Before connecting the machine to power, check the condition of all power leads and cables on, or used in conjunction with the machine. **DO NOT USE** them if there are any fault(s) cuts; wear marks, Bare wires out of plugs or sockets, etc. Get qualified persons to repair and re-tag it as required by regulations in your country.
13. Do not operate BEAVER 240 with any covers or doors removed or open.

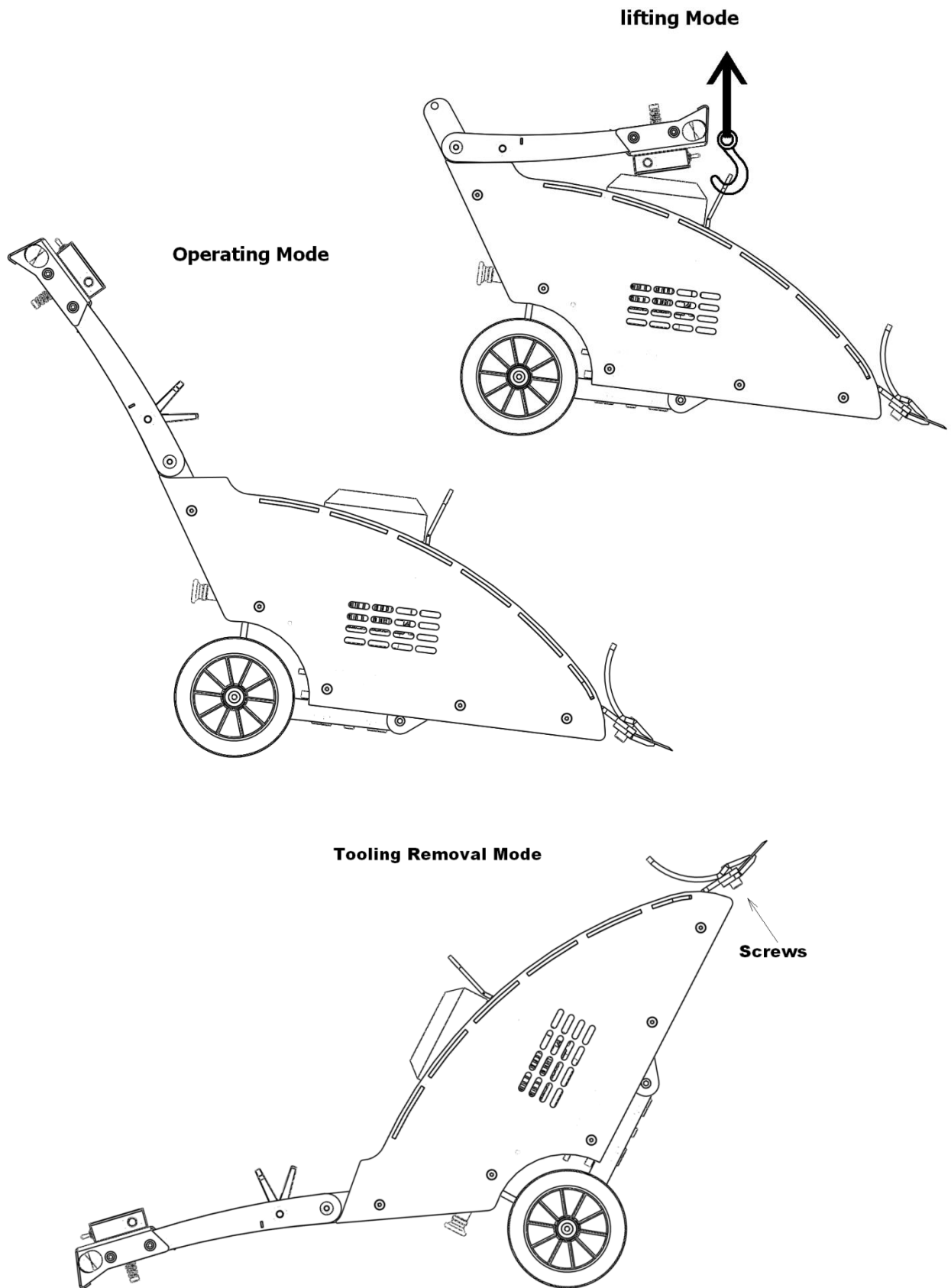
Beaver 240

Operating instructions

1. **Wear clothes suitable for the job and for the work place including, safety shoes, hard hat, hearing protection, non-fogging vented safety goggles, and dust respirator suitable for dust and dust mask suitable for dust and Safety Gloves when changing Blades and accessories.**
2. **WARNING! POISONOUS EXHAUST GASES. Do not operate petrol powered equipment without adequate ventilation. Carbon monoxide is an invisible odorless gas that can harm or can kill you.**
3. **Be sure all equipment is tested and tagged prior to use on any job.**
4. **Inspect entire area in which the machine will operate and remove any bolts or concrete nails etc. that could damage the tooling or machine and which could cause a hazardous situation.**
5. **Ensure there are no obstacles or existing structures that could present a hazard to the operator. If so, take necessary action to eliminate the hazard.**
6. **Disconnect the power lead from the BEAVER 240 before changing blades or accessories. Failure to comply could result in bodily injury.**
7. **Fold handle to the operating mode (see operating mode on following page) and lock in place using the locking levers, then tilt machine back so handle is resting on the floor. (See “Blade Removal Mode” on the following page)**
8. **The blade is removed by undoing the four M12 socket head cap screws located underneath the blade clamp.**
9. **Install appropriate tooling into the machine. Only use genuine BEAVER 240 tooling. Failure to comply could result in bodily injury.**
10. **See “Tooling Uses and Applications” section for more detail on different tooling and the application to use that tooling.**
11. **Tilt the machine back onto the blade.**

Beaver 240

Operating instructions



Beaver 240

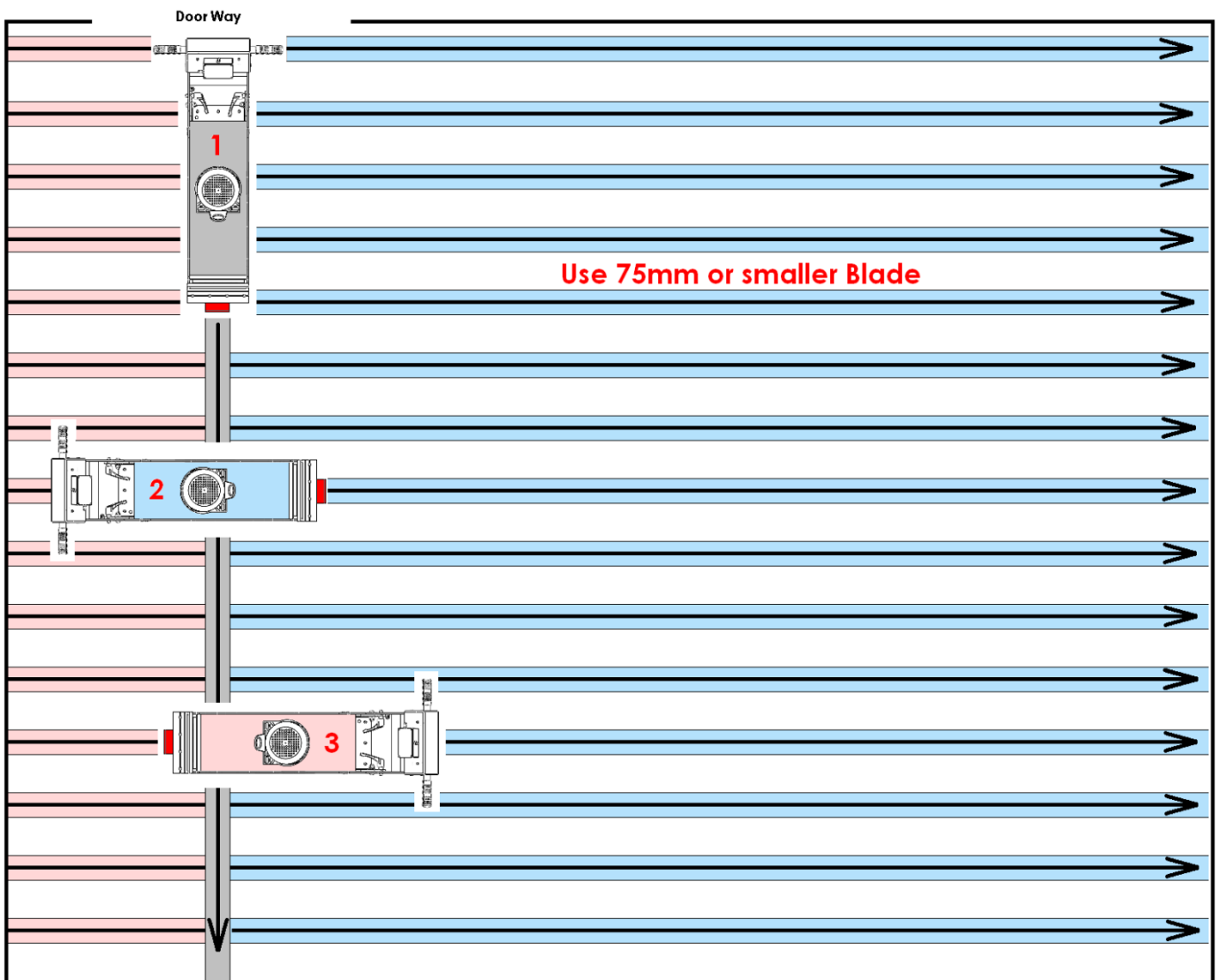
Operating instructions

12. The BEAVER 240 has axle height adjustment to adjust the angle of attack. Set the axle height at the lowest position before each job and move up only if the machine repeatedly rises over the material being removed.
13. Connect machine to suitable power outlet. Only use a power lead suitable for high current use (preferably 1.5 mm² cable), no longer than 20 meters.
14. If no power is available within the specified distance, have a qualified person install a suitable power outlet closer to your work. Alternatively use 2.5mm² cable for up to 50 meters.
15. Keep machine clear of drainage pits and grates or any such hazard. Failure to comply could result in bodily injury and or could damage the machine or property.
16. Ensure machine is on a level surface and handle is not folded (see operation mode on the previous page).
17. Hold the handles firmly and switch the machine on by moving the switch to the "ON" position.
18. If the over load trips it indicates a problem. (Undersize power lead or poor power to GPO outlet). Refer above for recommendations on power leads. Rectify the problem before continuing. **Continuing to use the BEAVER 240 when constant tripping occurs, VOIDS THE WARRANTY!**
19. This machine is designed to operate with the wheels in contact with the floor at all times. **Do not operate with wheels off the floor.**
20. Do not attempt to make any adjustments while the machine is in operation. Any adjustments must only be performed when machine is stopped and power disconnected.

Beaver 240

Floor Take-up Procedure.

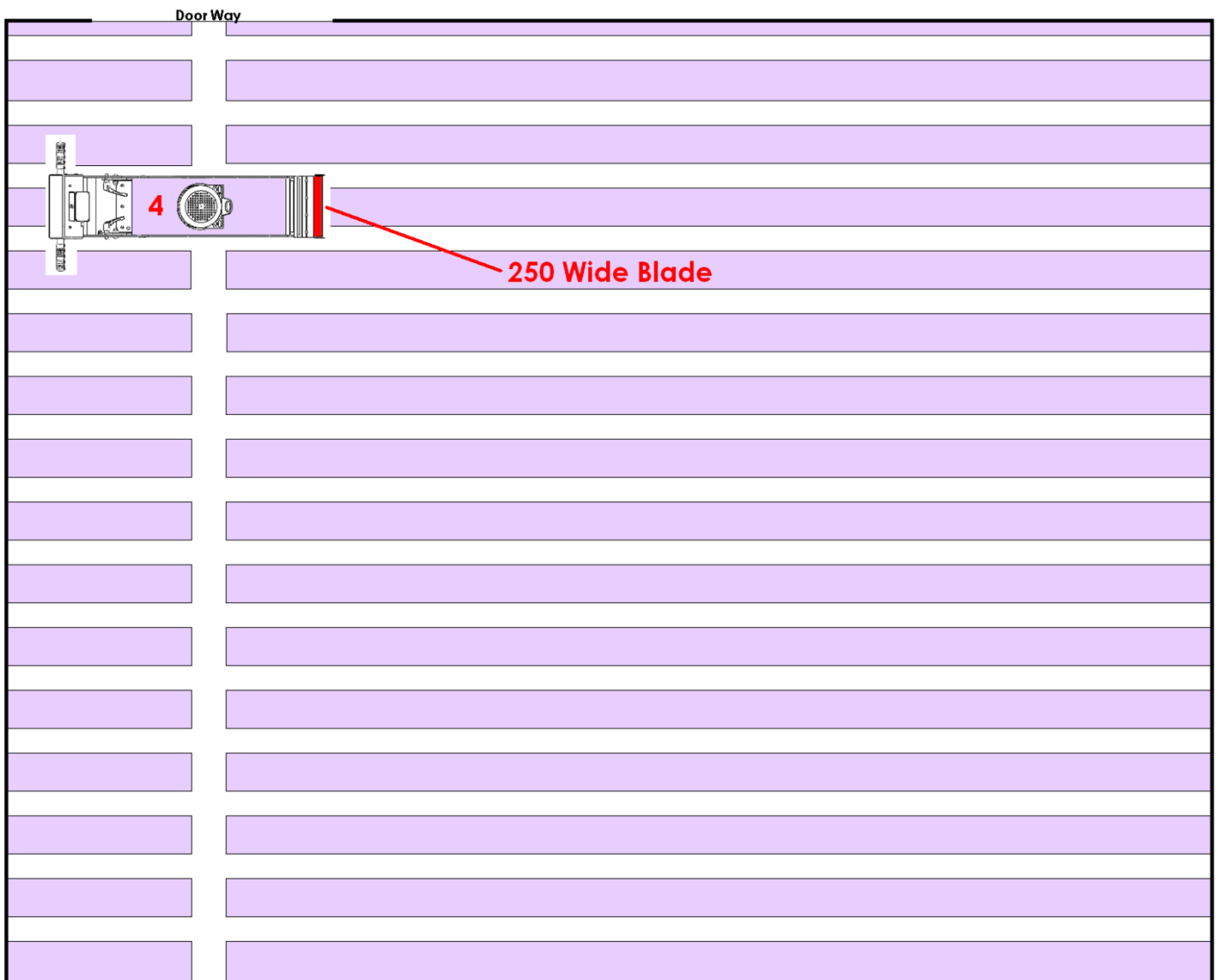
1. Create strip to start from across the room
2. Working From the starting strip remove strips leaving 100- 150mm of material between each strip
3. Work the other side of the starting strip to the other end of the room.



Beaver 240

Floor Take-up Procedure.

1. Use a full width blade to remove the remaining material



Beaver 240

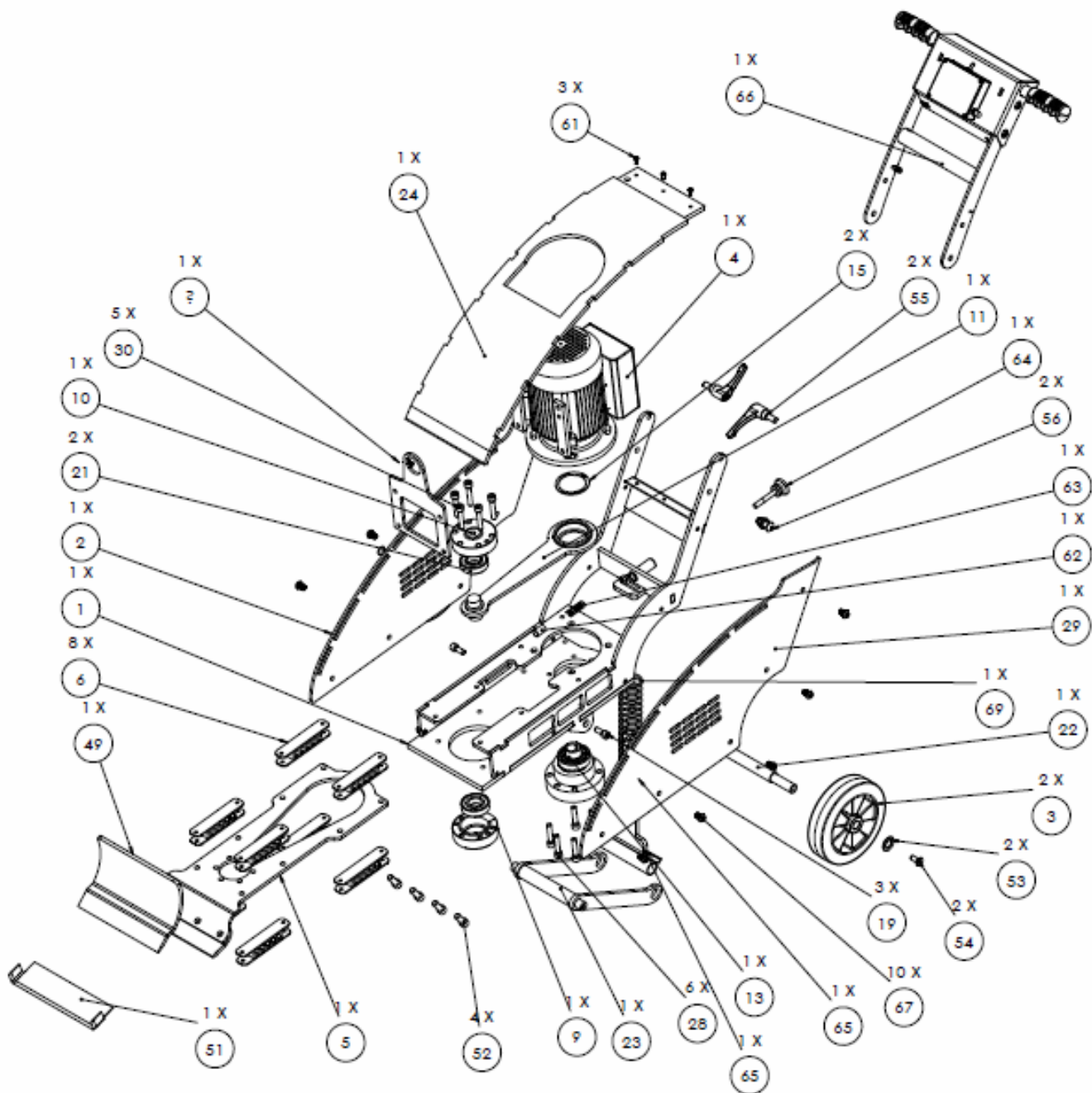
2.

Problem solving

PROBLEM	CAUSE	REMEDY	WHAT IS IT DOING?
Machine will not start / run.	No power is present at cable end.	Check power is present with another tool.	Using another tool confirms power is present
	Power lead is too small in capacity or too long.	Upgrade the power lead to 1.5mm ² (20meters) max or 2.5mm ² (50 meters max).	The long / small capacity cable is too restrictive and can't allow enough power through for the machine to start / run properly.
Machine is jumping up over the material being removed.	Incorrect angle of attack	Adjust the axle height up one hole at a time.	Increases the angle of attack making the blade stay against the floor on each stroke
	Incorrect blade used	Try turning the blade upside down	Often the blade has a single bevel on it and doing this changes the cutting angle on the blade
		Use a different blade type	Blades come in different thickness for different jobs
The material being removed comes up in big sheets making removal difficult to manage	No carpet blade is installed	Use a blade designed for carpet.	Carpet blades have a cutter on each side of the blade cutting the material into strips as it goes coiling up in front of the machine as you go.
Material take-up is very slow	The machine has limited power and cannot remove the material in one pass	Use a narrow blade and remove strips in the material leaving 100mm of material on the floor after each strip. Come back and remove the 100 mm strips later with a full size blade.	A narrow blade transfers the same energy of the BEAVER 240 onto a small area making removal easier. Taking up 100mm wide strips of material is easier than removing all material in one pass.

Beaver 240

Parts Diagram Main



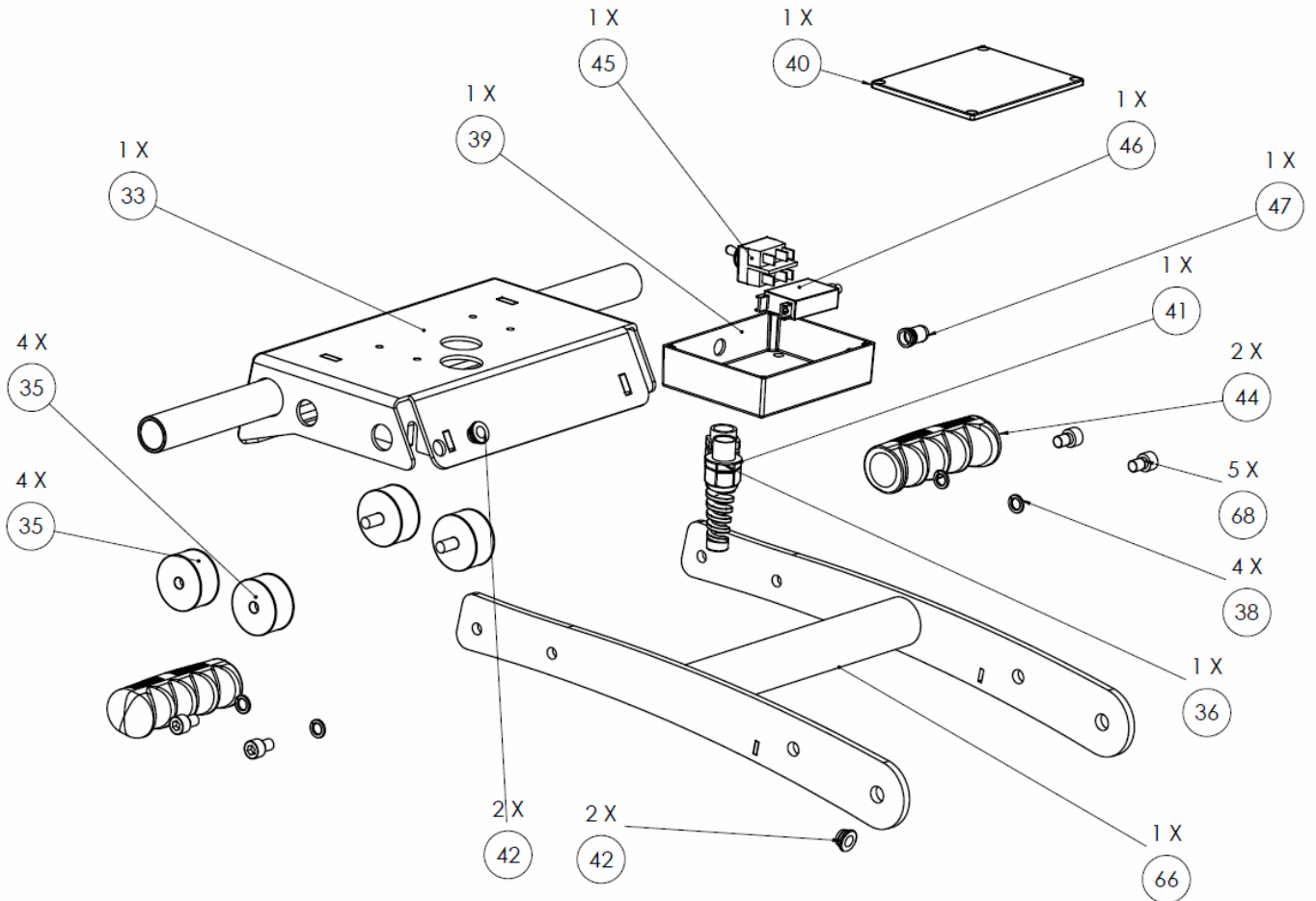
Beaver 240

Parts List Main

ITEM NO.	DESCRIPTION	PART #	QTY.
1	Main Chassis	BV-001	1
2	Right Side Panel	BV-002	1
3	200mm Wheel	G3-170	2
4	Motor 4 Pole 1.5kw	BV-068	1
5	Main Striker Plate	BV-113	1
6	Rubber mount	BV-102	8
9	Front Bearing Lower	BV-103	1
10	Front Bearing Upper	BV-104	1
11	Conrod	BV-100	1
13	Main Crank Bearing		1
15	Internal Circlip Conrod	BV-115	2
19	M10 X 25 Socket Head Cap screw	FS-246	3
21	Front Bearing	BV-121	2
22	Wheel Axle	BV-022	1
23	Axle Arm Assembly	BV-023	1
24	Top Cover	BV-004	1
28	M10 X 45 Socket Head	FS-250	6
29	Left Side Panel	BV-002	1
30	Bolt M10 X 55 Socket head	FS-250	5
48	Lift Hook	BV-036	1
49	Blade Clamp	BV-034	1
52	Blade Clamp Bolt M12	FS-223	4
53	Wheel Retaining Washer	FS-338	2
54	M10 X 25 Countersunk	FS-269	2
55	Ratchet Handle		2
56	12 X 20 Button Head		2
61	6 X 12 Button Head		3
62	Plunger Lock Button		1
63	Plunger Lock Spring		1
64	Plunger Lock Pull		1
65	Axle Height Adjuster		1
66	Handle Sub		1
67	M10 X 10 Dome Head Screw		10
68	M8 X 12		5
69	Beaver 250 Weight Assist Spring		1

Beaver 240

Parts Diagram Handle



Beaver 240 Parts List Handle

ITEM NO.	DESCRIPTION	PART #	QTY.
33	Handle Bars	B250033	1
35	Rubber Mount 20X20	B250035	4
36	Cord Grip	B250036	1
38	M8 Spring Washer	B250038	4
39	Enclosure	B250039	1
40	Enclosure lid	B250040	1
41	Cable gland	B250041	1
42	Rubber Grommet	B250042	2
44	Rubber handle Grip	B250044	2
45	Toggle Switch	B250045	1
46	Overload 10A	B250046	1
47	Overload Boot	B250047	1
66	Handle Sub	B250066	1
68	M8 X 12	B250037	5

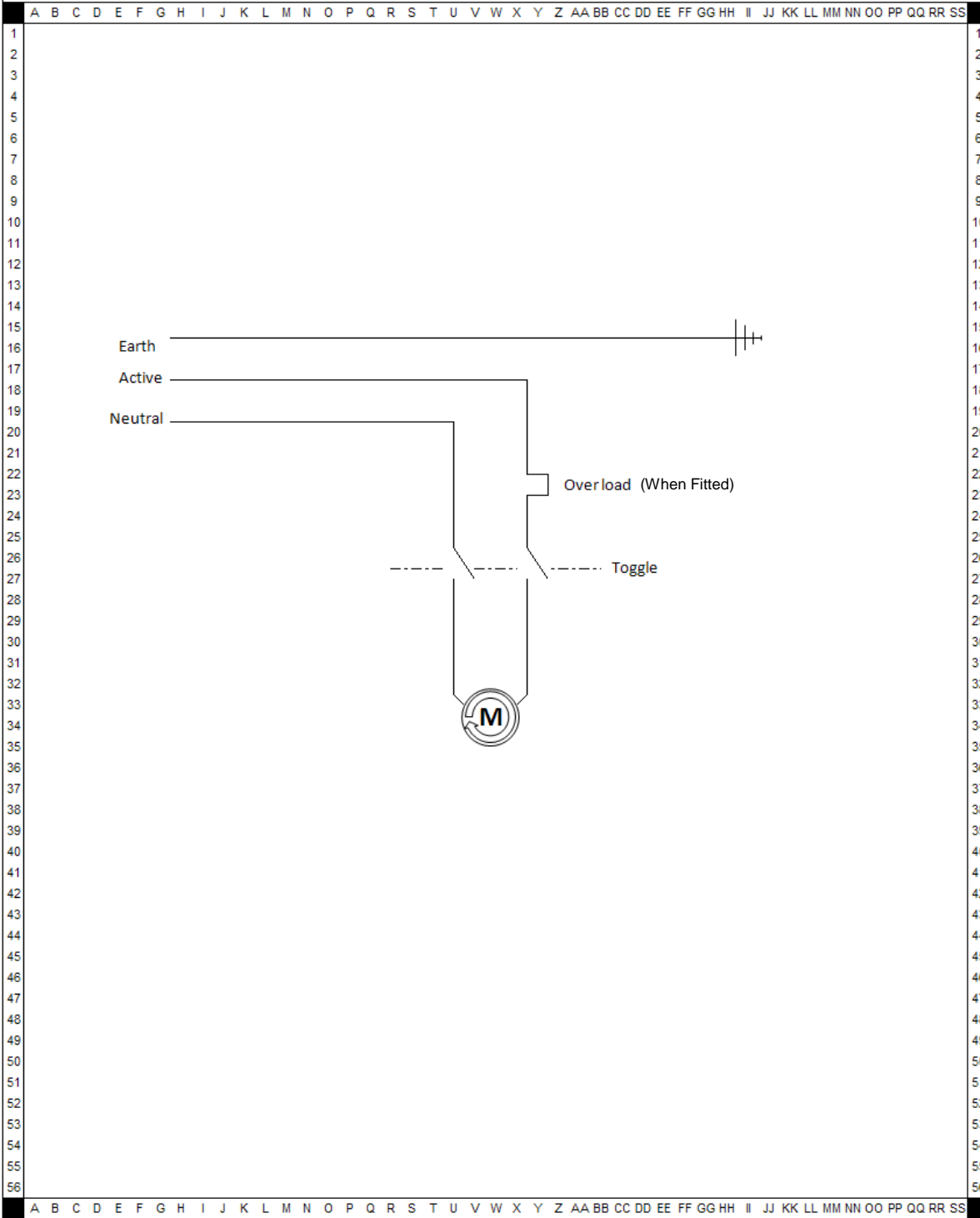
Beaver 240

Wiring Diagram



Floorex Products
Concrete Preparation & Coating Systems

Model	Make	Date Drawn	Revision Number
Beaver 250	Prepmaster	2/09/2010 14:33	1



Beaver 240

Beaver 240



Floorex Products

Your complete supplier
of all your concrete
surface preparation
needs

- Diamond grinders
- Dust extraction
- Shotblasters
- Screed mixers
- Diamonds
- Coating application
- Floor Scrapers

FLOOREX
PRODUCTS
156 Gray Street
Swan Hill VIC.
3585

Web: www.floorex.com.au
Email: sales@floorex.com.au