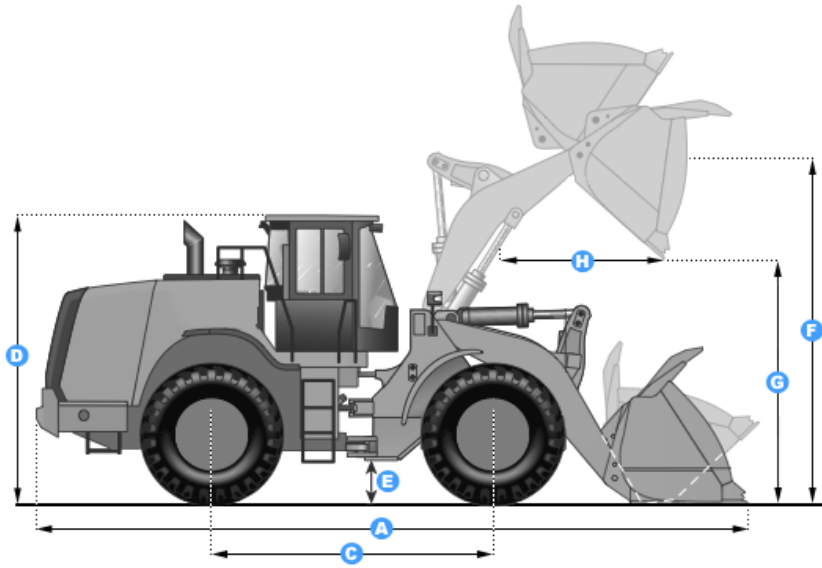


SPECIFICATIONS SHEET - TCM L13



Dimensions

- A: Length with Bucket:** 6075 mm
- C: Wheelbase:** 2750 mm
- D: Height to Top of Cab:** 3150 mm
- E: Ground Clearance:** 365 mm
- G: Dump Clearance:** 2710 mm
- H: Reach at Max Lift:** 1020 mm

Engine

- Make:** Isuzu
- Model:** BB-4GB1T
- Net Power:** 86.8 hp (64.7 kw)

Operational

- Fuel Capacity:** 140 L
- Tire Size:** 16.9-24-1-PRL2

Transmission

- Type:** Powershift
- Max Speed (Forward):** 34.5 km/h
- Max Speed (Reverse):** 34.5 km/h

Bucket Specs

- Breakout Force:** 61.7 kN
- Dump Clearance:** 2710 mm
- Bucket Capacity (Heaped):** 1.2 m³