



▶ 17VX

# Mini Excavator

The 1.7 ton zero tail swing mini excavator with exceptional performance





# ▶ 17VX Mini Excavator

The 1.7 ton zero tail swing mini excavator with industry leading specification

**FEATURES:**

- ▶ Accessible to 960mm wide narrow spaces
- ▶ Powerful bucket digging force : 16.4kN (1670kgf)
- ▶ Excellent work ability for close-skimming
- ▶ Equipped with 3-pump system
- ▶ Comfortable joystick control with armrest
- ▶ Smallest front radius in its class : 1280mm
- ▶ Excellent reach & dump height

**Easy Maintenance**

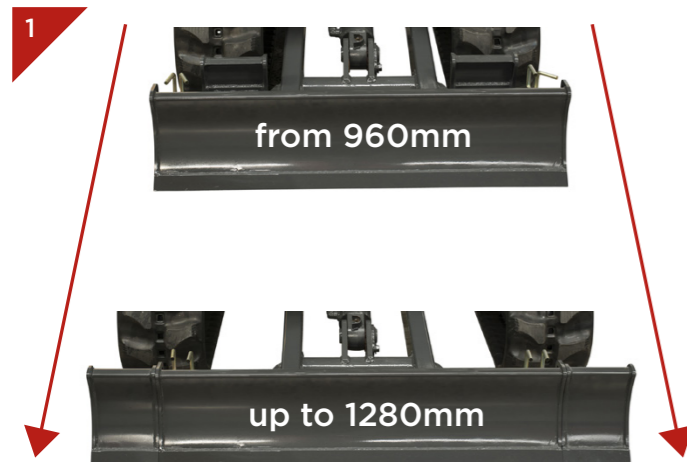
- ▶ Wide, fully opening engine-cover enables ease of maintenance
- ▶ Segmented boom cylinder hose design makes replacement easier
- ▶ Corrosion-free, resin fuel-tank
- ▶ Highly anti-corrosive aluminum radiator

**Durability**

- ▶ Thick rubber tracks provides high durability & life
- ▶ Rugged steel-pressed, engine cover
- ▶ Highly durable blade with extended depth & height travel
- ▶ Bucket cylinder hose built inside the arm

**Safety**

- ▶ Slew motor with automatic parking brake
- ▶ Gate lock system as standard equipment
- ▶ 4-Post canopy (ROPS) as standard equipment



**SPANNER**

**Retractable dozer blade extension**

The blade width can be easily adjusted, offering you the flexibility to fit the job. Adjustment is simple and easy with the two fastening pins.

**Equipped with expanding tracks as standard**

Expanding from 960mm to 1280mm with an auto lift dozer blade.



**ROPS Canopy (Standard)**

- 4 Post ROPS canopy as standard with 2 post option available



**Gate lock system**

- Designed to lock all functions



**Comfortable operating room**

With 20% more leg room



**Easy maintenance with large rear access**



**Removable counter weight**



**Offset boom - for increased visibility and boom rotation**



**DIGGER & TRAILER PACKAGES  
IN STOCK NOW**

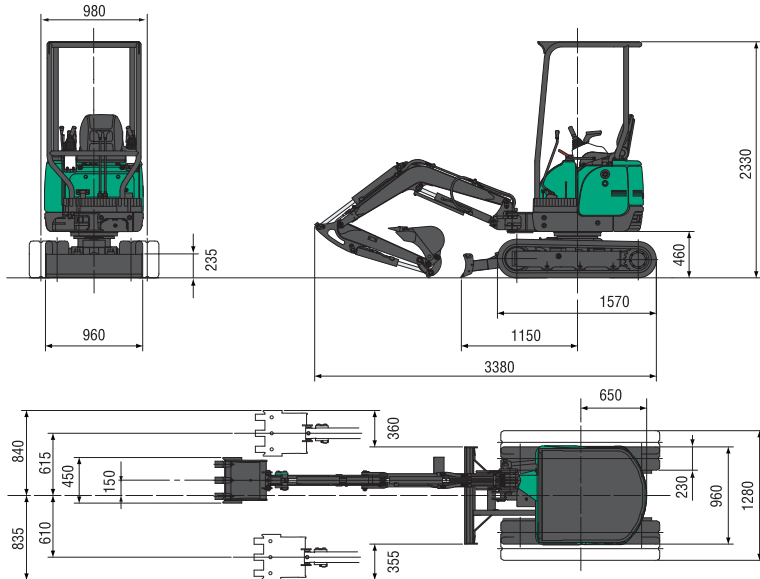
PROUD TO BE 100%  
NEW ZEALAND  
OWNED & OPERATED

**YRCO**® YOUNG MAN  
RICHARDSON  
& CO. LTD.

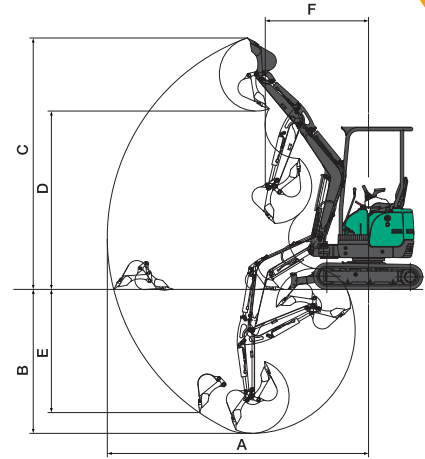
# ▶ 17VX Mini Excavator

## SPECIFICATIONS:

Dimensions (mm)



Working Range (mm)



### STANDARD:

- 4 post ROPS canopy
- Expanding Tracks
- Flashing Light
- Extra counter weight
- Auxiliary piping

### OPTIONS:

- Short dipper arm
- 2 post canopy
- Less counter weight

	Standard	Option (short arm)
4-Post canopy		
A. Max. digging radius	3990	3760
B. Max. digging depth	2350	2100
C. Max. digging height	3810	3610
D. Max. dumping height	2760	2560
E. Max. vertical digging depth	2010	1770
F. Min. front turning radius	1580	1490
At right boom swing	1340	1280

Performance		Boom swing system	
Bucket capacity	0.044m <sup>3</sup>	Type	Boom offset with hydraulic cylinder
Bucket width (Standard)	450mm	Swing angle (L/R)	80°/55°
Operating weight: 4-Post ROPS	1725kg	Hydraulic system	
Swing speed	9.5min <sup>-1</sup>	Pressure	20.6 Pa (210kgf/cm <sup>2</sup> ), 18.1 Pa (185kgf/cm <sup>2</sup> )
Travel speed (low/high)	2.1/4.0km/h	Pump hydraulic flow	17.2L/min x2 + 12L/min
Gradeability	58%(30°)	Dozer blade	
Ground pressure	26.2kPa (0.27kgf/cm <sup>2</sup> )	Size	960mm x 235mm
Max bucket digging force	16.4kN (1670kgf)	Lift above ground / Drop below ground	275mm/310mm
Engine		Max auxiliary flow	
Model	YANMAR 3TNV70	Auxiliary line	29L/min
Rated output	10.5kW/2300min <sup>-1</sup> (14.3PS/2300 rpm)		
Fuel tank capacity	20L		

### PARTS SERVICE:

We are proud of the back-up service we offer to customers. The importance of stocking genuine spare parts for all the equipment we supply is a high company priority.

**AUCKLAND HEAD OFFICE**  
6-10 Parkway Drive,  
Mairangi Bay, Auckland  
Phone: (+64) 09 443 2436  
Fax: (+64) 09 443 2435  
Email: sales@yrco.co.nz

**SOUTH ISLAND OFFICE**  
20 Nga Mahi Road,  
Sockburn, Christchurch  
Phone: (+64) 03 341 6923  
Fax: (+64) 03 341 6955  
Email: dalel@yrco.co.nz

  
PROUD TO BE 100%  
NEW ZEALAND  
OWNED & OPERATED

