



Chippers for a lifetime



Hansforming landscapes... one chipper at a time

Established in the 1980's, Hansa Products are specialists in the design and manufacture of high quality chipping and shredding equipment. We have been around long enough to say we know chippers - we've built and sold over 20,000 chippers after all - but innovation is not about just repeating what we know, but staying open-minded. That's why our focus is not to make the same chippers every day - but relentlessly sharpening each design.

We are always looking for new ways to create a better chipping experience. Our goal is to produce products that help you to 'hansform' your landscape like us - and work faster, better and safer than ever before.



Hansa heritage

Founded by Manfred, the next generation of Hansforming is led by son Martin, inheriting his father's ingenuity. Growing up alongside Hansa, Martin developed a passion for Engineering. And after following his father's footsteps to complete an engineering degree, he officially joined Hansa in 2002, but has been involved in Hansa since day one.

Dependable for a lifetime

Whether it's hired machine, a personal purchase or a business investment, we believe in providing the best chipping experience. That's why our chippers come with a long warranty, and we have developed ongoing service and support systems to keep you chipping for a lifetime. As a testament to the pride that our customers feel for their chippers, we've met many long-time users who love their 'Hansa' and heard many great success stories over the years.

Such is the workmanship and quality of our machines that we can still find working units of early model chippers that were made by Hansa more than 30 years ago.

Making a difference

As the second-generation owner and director, Martin has seen Hansa's growth first-hand and found that many of Hansa's best innovations came from listening to customers. That's why at Hansa we make a point to ensure that everyone in the Hansa family - including staff and customers - makes a difference. To this day, the design team works to involve customer feedback into every Hansa design.

Pride in your work

As proud as we are about the chippers we produce, we know they need to earn their keep while they're in your hands. So, whether you're tending your own gardens, working as a landscaper, a professional arborist or other commercial user, our chippers are all designed to make tough work enjoyable. It's not just about getting the job done, but the experience of doing it well, and doing it better - using less time, less people, and having less down-time. Our customers are people like us, people who take pride in their work and have an appreciation for a job done well.

Sharper production

As we are specialists in chippers, we know we must offer a superior product to ensure we remain competitive to mass machine manufacturers. That's why all our machines are of our own design. Developed over time from first-hand experience in the field.

We use the latest manufacturing technologies in our engineering and production including:

- Solidworks 3D Design
- CNC machining
- Laser-cutting
- CNC folding
- Robot welding
- And in-house powder-coating facilities

Our dedication to production quality helps us stand apart from others and produce unmatched durability of finish.

Sustainable ambition

We are an ambitious bunch, who want to see Hansa grow, but believe in doing it sustainably. As much as our customers enjoy our chippers, the long product lifespan means we can't rely on re-purchases only. Rather than reducing product quality, Hansa's sustainable growth approach means growing our exports so that more people can enjoy owning the very best chippers that we can make – without compromise.

We also believe in environmental sustainability. Our chippers are built to be as efficient as possible, using less fuel, top quality motors and finished with a non-toxic surface. While there will always be people that prefer to chop and burn every tree in their way, most of our customers also choose to re-use their woodchip to enrich their environment. Whether it's composting, weed suppressing, moisture retention or volume reduction, mulch is used as a viable alternative to reduce carbon from transportation or burning for a socially responsible approach that adds value back into the landscape.

DURABLE FINISH

Hansa chipper housings are made of solid 5mm & 10mm steel. All surfaces are media blasted prior to powder-coating for complete adhesion.



SELF-FEEDING

The chute is designed with the user in mind. It includes a large opening (no pre-cutting necessary!) and is angled at a comfortable operating height to make the most of its self-feeding action.



EASY ACCESS

Blockages are rare, but should you need to clear the housing or access blades for servicing the chipper is designed to open up easily & safely.



SHARP CUTS

The cutting blades shear the material against an adjustable hardened anvil with a scissor like action.



SOFT START

Easy starting with soft start technology - wind down handle to engage the belt drive between engine and rotor for smooth running and protection of your engine against shock loads.

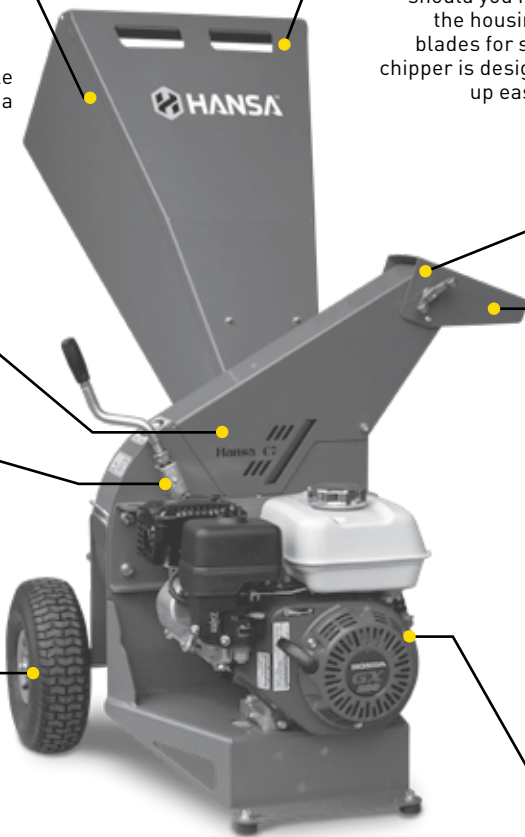


MANEUVERABLE

Well-balanced design with built-in handles, pneumatic wheels, low center of gravity and optional tow-bars makes our chippers a breeze to move around.

DIRECT DISCHARGE

Draught action rotor allows mulch to discharge directly from outlet. Collect in a optional bag, discharge direct to ground or for high-outlet models - straight into trailer or stockpile.



Standard Features

LIFESTYLE



QUALITY ENGINES

Genuine Honda NZ approved engines used on our petrol powered chippers.



360° DISCHARGE

360 degree swivel & pivot outlet chute - the ultimate in mulch discharge control.

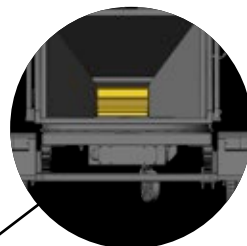


QUALITY ENGINES
by Kohler



EASY START

Soft start auto tensioning technology - belt drive between engine and rotor for smooth running and protection of your engine against shock loads, tensioned automatically.



WIDE INFEED

Wide infeed opening - excellent for foliage, brushy material and forked branches, reducing the number of saw cuts required.



DURABLE FINISH

Commercial chipper housings are made of solid 10mm steel. All surfaces are media blasted prior to powder-coating for complete adhesion.



HYDRAULIC FEED

Quality hydraulic components, single feedroller providing unbeatable feeding power.



TRANSPORT

Compact & manoeuvrable - low weight to capacity & power ratio, well balanced with low centre of gravity.



ULTIMATE CONTROL

The auto feed controller monitors engine RPM & controls feed to suit. Hour meter incorporated.

Standard Features

COMMERCIAL

C3^e

Ideal for gardeners with suburban gardens, useful all year round as you do your winter pruning, spring clean-up, or trimming back in summer – plug it in, turn it on and chip away.



Application



Suburban

Specifications



Option



Bag



C4

This solid, light weight chipper will handle all the demands of the domestic garden – including fibrous materials. Easy starting, feed through a single inlet chute and discharge out the side with bag option will keep your property shipshape.

Application



Suburban

Specifications



Option



Bag



C7

The ultimate weapon when it comes to efficiently maintaining your lifestyle block. Pre-cutting isn't necessary as branches simply flow through the large inlet chute. The momentum within the cantilevered cutting disk creates a strong draft to discharge high onto a stock pile or trailer.



Application



Large Garden

Specifications



Option



Tow Bar



Bumper

C13

STANDARD

Serious lifestyle block / acreage owners & landscape gardeners need look no further. This chipper's easy engagement system, along with its efficient self-feeding action removes all the hard work. Maintenance is effortless with easy access to the blades.



Application



Lifestyle Block

Specifications



Option



Leg Mounted



Towable



Electric Start



C13

ROAD TRAILER

With the added flexibility of being road registered the C13 road trailer is ideal for a user with multiple properties or a hire business. This chipper's easy engagement system, along with its efficient self-feeding action removes all the hard work. Maintenance is effortless with easy access to the blades.

Application



Lifestyle Block

Specifications



Feature



Road Towable

Option



Electric Start

C13

PTO DRIVEN

Serious lifestyle block owners & orchardists need look no further. Simply hitch this chipper to your 540 RPM PTO and you have a machine that has the same capabilities as its engine powered equivalent. Maintenance is effortless with simple access to the blades. Suitable for any small tractor from 17 - 45HP.

Application



Lifestyle Block

Specifications



177
KG



MAX
90
MM

Feature



PTO Driven



C16

An ideal machine for garden maintenance contractors and larger lifestyle blocks. Road towable with duratorque axle suspension and swivel outlet to discharge the mulch where you want it. Its compact design means it can be easily manoeuvred and operated in areas with restricted access.

Application



Semi Commercial

Specifications



341
KG



MAX
110
MM



16HP



PETROL

Feature



Road Towable

C21

PTO DRIVEN

The largest of the Hansa gravity self-feeding options, this world class designed chipper boasts an extremely heavy duty cutting disk enabling it to handle the rigorous needs of the most demanding operator. Ideally coupled with a tractor between 20 - 55HP, its inlet chute is specifically shaped to assist feeding of heavier branches and bushy foliage.



Application



Semi Commercial

Specifications



Feature



PTO Driven

C21

STANDARD

The largest of the Hansa gravity self-feeding options, this world class designed chipper boasts an extremely heavy duty cutting disk enabling it to handle the rigorous needs of the most demanding operator. The electric start V-twin engine makes starting a breeze and its inlet chute is specifically shaped to assist feeding of heavier branches and bushy foliage.



Application



Semi Commercial

Specifications



Feature



Road Towable Electric Start

C27^{HS}

Whether to hire or to own the compact design of this chipper makes it a versatile choice. Simple controls makes it easy for weekend users, while its powerful performance appeals to both serious orchardists and arboriculture contractors alike.



Application



Commercial

Specifications



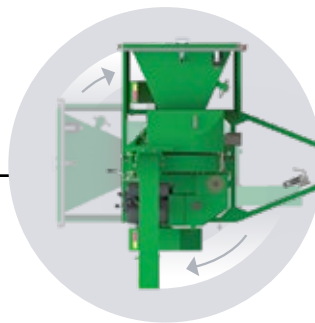
Option



Bottom Safety Bar

C27

If manourverability and versatility is what drives your arboriculture business then this chipper fulfils your criteria. Its 360 degree turntable allows feeding from any direction, all while still being coupled and discharging into your tow vehicle.



Application



Commercial

Specifications



Feature



Turntable Mounted

Option



Bottom Safety Bar

C40

The powerful hydraulic feed system of this diesel powered chipper makes it easy to process any material. Its wide feed opening pulls bushy and twisted branches with forks into the machine without effort. Activate the feed roller with the control bar and the rest is taken care of by the electronic automatic sensor feed system.



Application



Commercial

Specifications



Feature



Disc Brakes

Option



Bottom Safety Bar



C60



Widely considered to be the best in its class, this powerful, lightweight, maneuverable hydraulic feed chipper boasts extraordinary capacity to weight ratio. This feature is accentuated by its wide feed opening – often described as a ‘small in size but big in capacity’ chipper, all achieved through clever design and manufacture in New Zealand.



Application



Commercial

Specifications



Option



Hydraulic Winch



Lift & Crush



Bottom Safety Bar

C60^{RX}

When the job takes you to difficult sites, over rough terrain, narrow access or soft ground conditions, you need a machine that's up to the challenge. The rubber track drive is operated by a fully proportional remote control removing the operator from the danger zone.

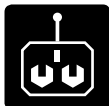


Application



Commercial

Specifications



Option



Hydraulic Winch



Lift & Crush



Transport Trailer



Bottom Safety Bar



LIFESTYLE

C3e

C4

C7

C13

C16

C21

Max. chipping capacity	30mm	40mm	70mm	90mm	110mm	130mm
Engine	Electric	Honda GX160	Honda GX200	Honda GX390	B&S Vanguard	Honda GX630
Max Power	2HP	5.5HP	6.5HP	13HP	16HP	21HP
Fuel tank size	Single phase	3.6L	3.6L	6L	8L	11L
Starting system	Push button	Recoil	Recoil	Recoil	Recoil	Electric
Inlet chute size	100 x 130mm	100 x 130mm	130 x 150mm	170 x 220mm	170 x 220mm	200 x 285mm
Qty of knives	1	1	2	2	2	2
Knife size	110 x 42 x 9mm	110 x 42 x 9mm	110 x 42 x 9mm	200 x 58 x 10mm	200 x 58 x 10mm	200 x 80 x 12mm
Knife material	A8 modified tool steel					
Cutting disk dimensions	260 x 6mm	260 x 6mm	400 x 10mm	560 x 12mm	560 x 20mm	650 x 20mm
Cutting disk weight	4kg	4kg	12.5kg	36kg	50kg	80kg
Cutting disk speed	2820RPM	3600RPM	2850RPM	2000RPM	2000RPM	1800RPM
Beltdrive	n/a	Single	Twin	Twin	Twin	Twin
Self-feeding	Yes	Yes	Yes	Yes	Yes	Yes
Wheels	200mm solid	250mm solid	270mm pneumatic	400mm pneumatic	12" rim	12" rim
Dimensions (l x w x h)	1040 x 520 x 1040mm	900 x 500 x 1120mm	900 x 650 x 1200mm	1100 x 1000 x 1400mm	2300 x 1230 x 1580mm	2300 x 1300 x 1850mm
Weight	55kg	66kg	93kg	177 - 265kg	341kg	307 - 417kg
Outlet chute height	450mm	450mm	780mm	1120mm	1580mm	1850mm
Outlet chute type	Fixed	Fixed	Deflector	Deflector	270° swivel	270° swivel

COMMERCIAL

C27

C27HS

C40

C60

C60RX

Max. chipping capacity	150mm (6")	150mm (6")	178mm (7")	254mm (10")	254mm (10")
Engine	Kohler EFI ECH749	Honda GX690	Kohler KD626-3	Kohler KDW2204T	Kohler KDW2204T
Max Power	27HP	26HP	42HP	65HP	65HP
Fuel type	Petrol	Petrol	Diesel	Diesel	Diesel
Fuel tank size	33L	33L	45L	65L	75L
Hydraulic tank size	24L	23L	24L	48L	100L
Starting system	Electric	Electric	Electric	Electric	Electric
Inlet opening size	330 x 178mm	330 x 178mm	330 x 178mm	458 x 254mm	458 x 254mm
Qty of knives	2	2, reversible	2	4	4
Knife size	200 x 80 x 12mm	200 x 127 x 16mm	200 x 80 x 12mm	200 x 80 x 12mm	200 x 80 x 12mm
Knife material	A8 modified tool steel				
Cutting disk dimensions	650 x 20mm	650 x 20mm	650 x 25mm	800 x 40mm	800 x 40mm
Cutting disk weight	81kg	81kg	94kg	181kg	181kg
Cutting disk speed	1800RPM	1800RPM	1800RPM	1620RPM	1620RPM
Beltdrive	3 x B Section	3 x B Section	3 x SPB Section	3 x SPB Section	3 x SPB Section
Feedroller diameter	220mm	220mm	220mm	305mm	305mm
Wheels	13" rim (low profile)	13" rim	13" rim	14" rim	Rubber tracks
Disk brakes	No	No	Yes	Yes	n/a
Dimensions (l x w x h)	3150 x 1550 x 2100mm	3150 x 1585 x 2155mm	3555 x 1575 x 2060mm	3850 x 1800 x 2100mm	3015 x 1370 x 2100mm
Weight	850kg	750kg	1160kg	1490kg (1620kg with winch)	1920kg (2050kg with winch)
Outlet chute height	2100mm	2155mm	2060mm - 2200mm	2100mm - 2360mm	2100mm - 2360mm
Outlet chute type	360° swivel	360° swivel	360° swivel, height adjustable		



NEW ZEALAND

Hansa Products Ltd
57 Te Kowhai Rd East
P.O. Box 10323
Hamilton 3200
New Zealand

FREEPHONE 0508 4 HANSA (0508 442 672)
PHONE 07 849 4749
EMAIL info@hansaproducts.co.nz
hansaproducts.co.nz

AUSTRALIA

Hansa Products Pty Ltd
1/6 Gravel Pit Rd,
P.O. Box 3178,
Darra 4076
Australia

FREEPHONE 1800 426 722
EMAIL info@hansaproducts.com.au
hansaproducts.com.au