

SPECIFICATIONS

Loader Specifications

Operating Weight

3635	4400 lb (1996 kg)
3935	4600 lb (2087 kg)

Shipping Weight

3635	3970 lb (1801 kg)
3935	4170 lb (1892 kg)

SAE Rated Operating Load¹

3635	1050 lb (476 kg)
3935	1260 lb (572 kg)

Engine

Make	Yanmar
Model	3TNV88
Displacement	100 in ³ (1.64 L)
Horsepower (net) @ 3000 rpm	36.7 hp (27.4 kW)
Peak Torque @ 1600 rpm	79 lb-ft (107 N·m)

Hydraulic System (theoretical)

Main Hydraulic System Pressure	2750 psi (345 bar)
Standard Flow Rating	14.5 gpm (55 L/min)

Capacities

Chaincase (each)

3635	4.5 U.S. gal (17 L)
3935	5.0 U.S. gal (19 L)

Engine Oil 5.0 U.S. qts (4,8 L)

Fuel Tank 8.5 U.S. gal (32,2 L)

Hydraulic Reservoir 8.0 U.S. gal (30 L)

Sound (with Deluxe Sound Kit)

Pressure Level (Operator Ear) 85 dB(A)

Power Level (Environmental) 103 dB(A)

¹ Operating load rated with a 54" (1372 mm) dirt/construction bucket in accordance with SAE J818.

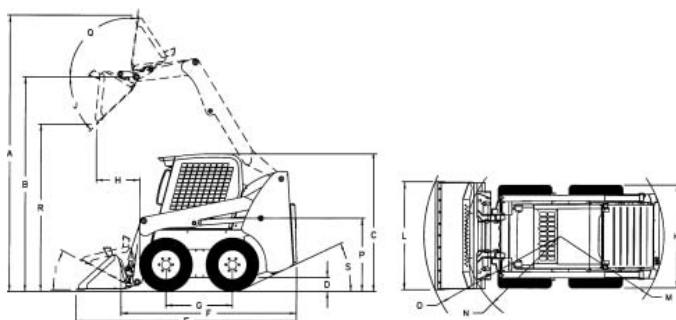
Standard Features

- Choice of three controls: T-Bar, Dual Hand or Hand/Foot
- Fuel Gauge
- All-Tach™ Attachment System (Universal-Style)
- Warning Lights and Buzzer - Engine and Hydraulic Oil Temperature
- Manual Controlled Hydrostatic Drive
- Battery Charge Indicator Light
- ROPS/FOPS- Level II - Approved Overhead Guard
- Low Oil Pressure Light and Buzzer
- Independent Hydraulic Reservoir and Hydraulic Oil Cooler
- Foot and Hand Throttle (T-Bar and Dual Hand Units Only)
- Operator Restraint Bar With Armrests
- Engine Intake Air Pre-Heater Starting Assist (Manual)
- Hyraloc™ System - Brakes and Interlock For Starter, Lift/Tilt Cylinders, Auxiliary Hydraulics, and Wheel Drives
- Adjustable Seatbelt
- Lift Arm Support Device
- Dual Front and Rear Work Lights
- Removable Belly Plate and Access Cover
- Dual Element Air Cleaner with Visual Indicator
- Vandalism Lock Provisions
- Top and Rear Windows - ROPS
- Spark Arrestor Muffler
- Headliner and Acoustical Interior
- Seatbelt Indicator Light and Buzzer
- Adjustable Seat
- Front Auxiliary Hydraulics with 3/4" Flat-Faced Couplers
- Water Temperature Gauge (SX only)
- Hourmeter
- Number 80K Drive Chain
- Self-Leveling Lift Action (SX only)

Accessories

- Audible Back-Up Alarm
- Engine Block Heater
- Horn
- Suspension Seat
- Cab Door with Wiper and Dome Light
- Sliding Side Windows
- Heater/Defroster
- Deluxe Sound Package
- 3-inch wide Seatbelt - When Required by Law
- Rear View Mirror
- Engine Auto-Shutdown System
- Interior Dome Light
- Centrifugal Pre-Cleaner
- Strobe Light
- Impact Resistant Door
- Lift Kit
- Rear Counterweight
- Battery Disconnect Switch
- Engine Coolant Temperature Gauge
- Bucket Bolt-On Cutting Edge
- Diesel Engine Exhaust Purifier
- Hydraulic Coupler - Kit
- Auxiliary Hydraulics (non-SX only)
- Self-Leveling Lift Action (non-SX only)

Dimensional Specifications



	3635		3935	
	Inches	(mm)	Inches	(mm)
A Overall Operation Height - Fully Raised	139.8	(3550)	141.8	(3600)
B Height to Hinge Pin - Fully Raised	108.0	(2743)	110.0	(2794)
C Overall Height - Top of ROPS	70.3	(1784)	72.3	(1835)
D Ground Clearance - to Chassis (Between Wheels)	6.0	(152)	8.0	(203)
E Overall Length w/54" (1372 mm) Dirt/Const. Bucket	114.0	(2896)	116.0	(2946)
Overall Length w/60" (1524 mm) Dirt/Const. Bucket	117.0	(2972)	119.0	(3023)
F Overall Length (less Bucket)	88.0	(2235)	90.0	(2285)
G Wheel Base	34.4	(874)	36.3	(922)
H Dump Reach - w/54" (1372 mm) Dirt/Const. Bucket	22.8	(578)	20.8	(528)
Dump Reach - w/60"(1524 mm) Dirt/Const. Bucket	-	-	25.0	(635)
I Rollback at Ground	28°		28°	
J Dump Angle at Full Height	42°		42°	
K Overall Width - less Bucket w/27 x 8.50 x 15 HD Tires	48.3	(1226)	-	-
Overall Width - less Bucket w/27 x 10.50 x 15 HD Tires	52.4	(1331)	52.4	(1331)
Overall Width - less Bucket w/10.00 x 16.5 HD Tires	-	-	51.9	(1318)
L Bucket Width 48" (1219 mm) Dirt/Const. Bucket - Overall	49.3	(1252)	49.3	(1252)
Bucket Width 54" (1372 mm) Dirt/Const. Bucket - Overall	55.3	(1403)	55.3	(1403)
Bucket Width 60" (1524 mm) Dirt/Const. Bucket - Overall	61.0	(1549)	61.0	(1549)
Bucket Width 65" (1651 mm) Dirt/Const. Bucket-Overall	-	-	67.0	(1702)
M Clearance Circle - Rear	52.9	(1344)	53.8	(1367)
N Clearance Circle - Front (less Bucket)	42.0	(1067)	43.2	(1097)
O Clearance Circle - Front w/54" (1372 mm) Dirt/Const. Bucket	68.7	(1745)	69.0	(1753)
Clearance Circle - Front w/60" (1524 mm) Dirt/Const. Bucket	71.1	(1806)	71.1	(1806)
P Seat to Ground Height	32.3	(819)	34.3	(870)
Q Rollback at Full Height	100°		100°	
R Dump Height - w/54" (1372 mm) Dirt/Const. Bucket	84.5	(2146)	86.5	(2197)
Dump Height - w/60" (1524 mm) Dirt/Const. Bucket	-	-	86.3	(2191)
S Departure Angle	23°		26°	

Capacities and Ratings

Note: Use the Table of Common Materials and Densities (page 72) for selecting the appropriate bucket.

Dirt / Construction Buckets

Description ¹	Part No.	Weight	3635 Rating*	3935 Rating*
54/55.5" 9.5 ft ³ (1372/1410 mm 0.27 m ³) with Spillguard	808248	255 lb (116 kg)	1050 lb (476 kg)	1260 lb (572 kg)
60/61.5" 10 ft ³ (1524/1562 mm 0.28 m ³) Low Profile	808337	300 lb (136 kg)	900 lb (408 kg)	1050 lb (476 kg)

Utility Buckets

Description ¹	Part No.	Weight	3635 Rating*	3935 Rating*
48/49.5" 11.8 ft ³ (1372/1410 mm 0.33 m ³)	808247	285 lb (129 kg)	875 lb (397 kg)	1075 lb (488 kg)
54/55.5" 13.5 ft ³ (1372/1410 mm 0.38 m ³)	808249	290 lb (132 kg)	850 lb (386 kg)	1050 lb (476 kg)
60/61.5" 15.2 ft ³ (1524/1562 mm 0.43 m ³)	808250	335 lb (152 kg)	800 lb (363 kg)	1000 lb (454 kg)

Light Material/ Snow Bucket

Description ¹	Part No.	Weight	3635 Rating*	3935 Rating*
65/66.5" 18 ft ³ (1651/1689 mm 0.51 m ³)	807242	400 lb (181 kg)	775 lb (352 kg)	975 lb (442 kg)

Pallet Forks @ 24" (610 mm) Load Center (Per SAE J1197 & J1464)

Description	Part No.	Weight	3635 Rating***	3935 Rating***
48" (1219 mm) Forks with Spillguard	806841	560 lb (254 kg)	470 lb (213 kg)	570 lb (259 kg)

Pallet Forks @ 400 mm (15.8") Load Center (Per EN 474-3)

Description	Part No.	Weight	3635 Rating**	3935 Rating**
48" (1219 mm) Forks with Spillguard	806841	560 lb (254 kg)	550 lb (249 kg)	650 lb (295 kg)

¹ inner/outer dimensions given

* increase rating by 100 lb (45 kg) if weight kit is installed.

** increase rating by 75 lb (34 kg) if weight kit is installed.

*** increase rating by 70 lb (32 kg) if weight kit is installed.