

PERFORMANCE	PW628		DW625	
Max. Lift Capacity	250 kg	551 lbs	250 kg	551 lbs
Breakout Force at Tip of Standard Bucket	489 kg	1078 lbs		
Travel Speed	7 km/h	4.3 mph	7.5 km/h	4.7 mph
Operating Weight (Machine Only with water filled tyres)	875 kg	1929 lbs	972 kg	2138 lbs
Fuel Capacity	45 L	11.8 gal	45 L	11.8 gal
Fuel Type	Unleaded or Premium Unleaded		Diesel Fuel	
ENGINE	PW628		DW625	
Manufacturer	Honda GX690		Kubota D902	
Net Power (SAE Class J1349)	16.5 kW	22.1 hp*	17.5 kW	23.5 hp*
Gross Power (SAE Class J1995)	20.8 kW	28 hp*	18.5 kW	25 hp*
Max Torque	48.34 Nm		56.0 Nm	
DRIVE SYSTEM	PW628		DW625	
Drive Control	Soft Touch Hand Levers		Soft Touch Hand Levers	
Throttle Control	Hand Levers		Hand Lever	
Wheels	Direct Drive Hydraulics Motors		Direct Drive Hydraulics Motors	
Tyres	23" Lug Tyres Water Filled		23" Lug Tyres Water Filled	
HYDRAULICS	PW628		DW625	
Gear Pump Displacement	11.3 cc/rev	0.69 cu.in/rev	12.5 cc/rev	0.76 cu.in/rev
Pump Output	41 L/min	10.75 US gal/min	45 L/min	11.9 USgal/min
System Pressure	207 bar	3000 psi	220 bar	3200 psi
Hyd. Reservoir Capacity	70 L	17.4 US gal	70 L	17.4 US gal
BUCKETS	PW628		DW625	
Standard & 4 in 1 Bucket Capacity	0.1 m ³	3.5 cu.ft	0.1m ³	3.5 cu.ft
DIMENSIONS	PW628		DW625	
A Max Operating Height	2500mm	98.4"	2500mm	98.4"
B Height to Hinge Pin	1855mm	73"	1855mm	73"
C Overall Height	1340mm	52.8"	1340mm	52.8"
D Overall Length With Bucket	2200mm	86.6"	2200mm	86.6"
E Overall Wheel Width	1030mm	40.6"	1030mm	40.6"
F Bucket Reach at 40°	410mm	16.1"	410mm	16.1"
Bucket Max Reach (Level)	1020mm	40.1"	1020mm	40.1"
G Dump Height Std. Bucket	1130mm	44.5"	1130mm	44.5"
Dump Height 4 in 1 Bucket	1855mm	73.0"	1855mm	73.0"
H Bucket Width	1050mm	41.3"	1050mm	41.3"
I Bucket Max Roll Back	40°		40°	
J Bucket Max Dump Angle	60°		60°	
K Ground Penetration	430mm	16.9"	430mm	16.9"
L Overall Length Less Bucket	1660mm	65.4"	1660mm	65.4"
M Ground Clearance	185mm	7.3"	185mm	7.3"
N Angle of Departure	40°		40°	
Approach Angle	90°		90°	

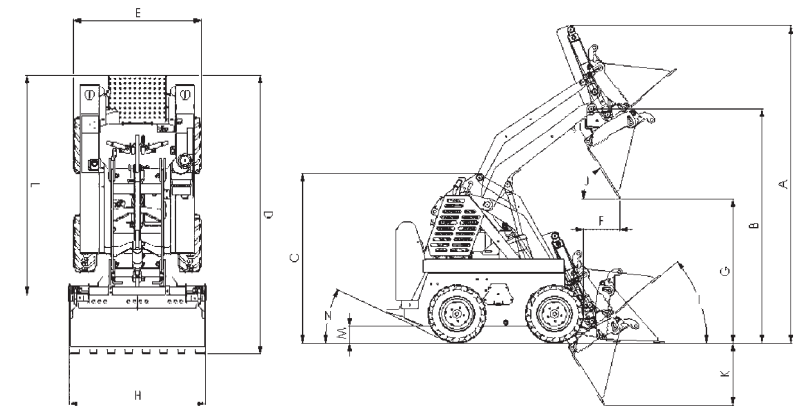


Australian Designed
 Australian Made
 Australian Owned
 Engine Warranty*
 - Diesel 2 Years/Unlimited
 - Petrol 3 Years/Unlimited
 Commercial Product Warranty -
 2 Years/1000hrs*
 *Warranty Conditions Apply



Telephone: 1300-4-KANGA

For the complete range of Kanga Loaders, visit
www.kanga-loader.com



Dealer Stamp

* The Power ratings of the engine indicated in this document are the power of the production engine only and are measured in accordance with SAE J 1349 and SAE J1995 at 3600 rpm. Mass production engines may vary from this value, Actual power output for the engine installed in the final machine may vary depending on numerous factors, including operation speed of the engine in application, environmental conditions and other variables.