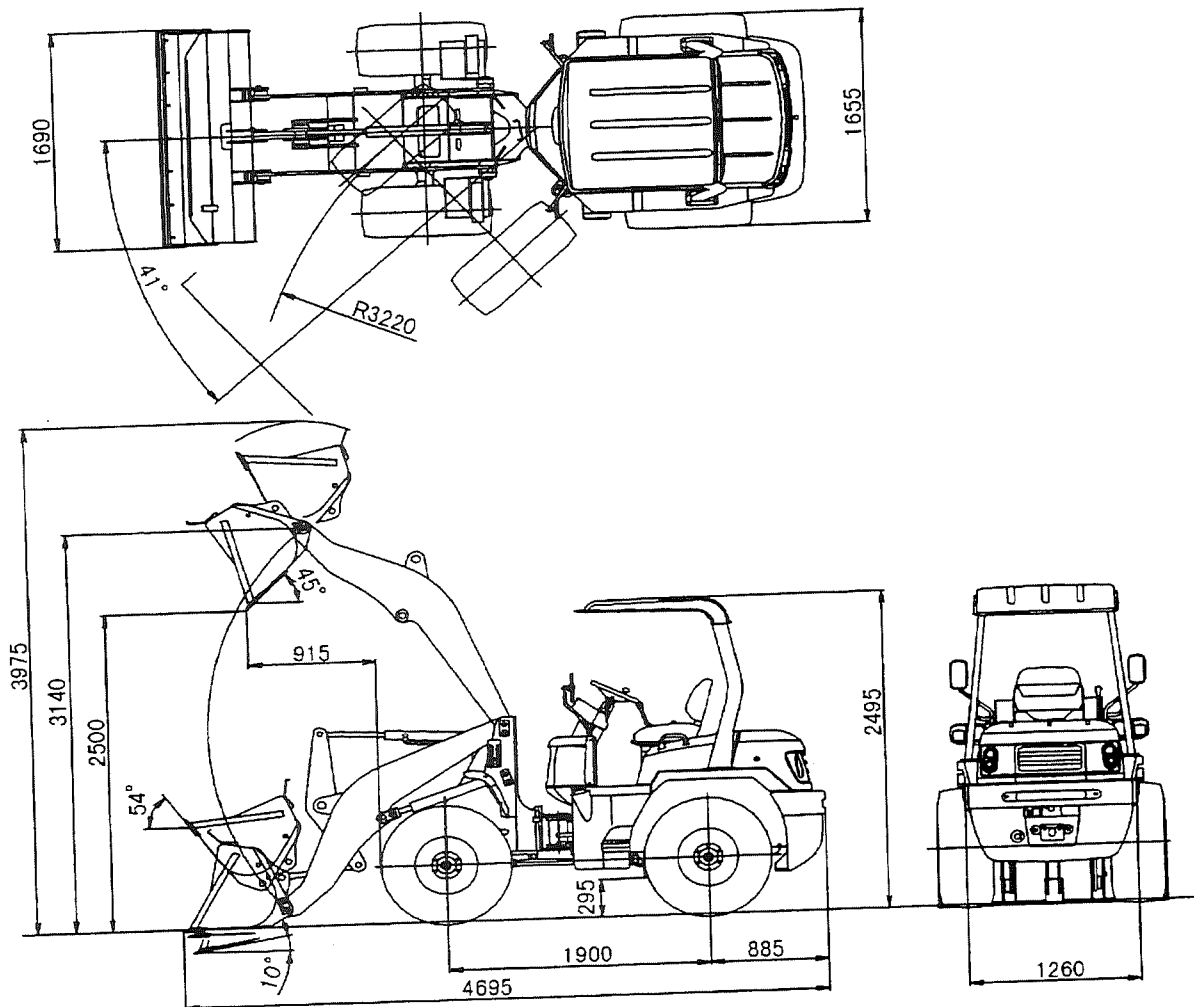


Troubleshooting

- L6-2



Bucket capacity (with BOC)		0.6m ³	
Operating weight		3565kg	
Engine	Maker/Model	KUBOTA D1503-DI- T-K2A	
	Flywheel power/Rated speed	27.2kW (37PS)/ 2500rpm	
	Piston displacement	1,499 L	
	Fuel tank capacity	50 L (Light oil)	
	Operating load	960kg	
Max. drawbar pull		3400kg	
Performance	Travel speed	1st gear F&R 8km/h	
	(2 forward & 2 reverse)	2nd gear F&R 15km/h	
	Gradeability		30°
	Turning radius (center of outside wheel)		3210mm
	Articulation angle		41°

Dimensions	Overall length (with BOC at ground)	4695mm
	Overall width (Bucket)	1690mm
	Overall height (Canopy)	2495mm
	Wheelbase	1900mm
	Ground clearance	295mm
	Dumping clearance (with BOC)	2500mm
	Dumping reach (with BOC)	915mm
	Bucket hinge pin height (Max.)	3140mm
Battery		12V-75D26
Transmission control HST		HST (Electrical)
Tire size/Pressure (standard)		15.5/60-18-8PR 200kPa